

## APPLICATION

Flexible remodel style downlight is suitable for applications where an existing ceiling is present and the benefits of energy saving, long life LED lamp sources are desired.

## PRODUCT DATA

**REFLECTOR:** The parabolic reflector eliminates glare and features a 55° cut-off to source and source image. A 7/8" overlap flange is standard. Supplied standard with Specular Clear Alzak, other reflector finishes are available in order to provide maximum flexibility to the designer. Optional goof ring accessory (model RMGR47W) is available to cover holes that are larger than 5.26". Maximum ceiling cutout with goof ring is 6.75", without goof ring it is 5.26". Overall diameter is 7.5".

**REMODEL/RETROFIT HOUSING:** Installs in existing ceiling openings and accommodates ceiling thicknesses of 1/2" to 1" deep. Heavy-gauge spun aluminum ceiling collar features four spring clips that firmly secure housing to ceiling material. Engineered heat sink provides proper thermal management for optimum longevity. LED module is serviceable from below.

**ELECTRICAL:** 120 or 277 VAC, 50-60 Hz. (Optional 347V)

**REMOTE JUNCTION BOX:** Heavy-gauge galvanized junction box pre-wired with grounding pigtail. Easy access covers. Multiple conduit knockouts listed for through branch circuit wiring.

**LED MODULE & DRIVER:** LED module and Xitanium driver are manufactured by Philips Lighting. CRI = 80. 90 CRI available.

**DIMMING:** Standard product is compatible with 0-10 volt dimming controls. See below for additional options.

**HEAT MANAGEMENT:** Engineered heat sink provides passive cooling for optimum heat management of the LED engine.

- Expected lamp life to be 50,000 hours with 70% lumen maintenance when ambient temperatures do not exceed 45°C. Lower ambient temperatures yield longer lamp life.



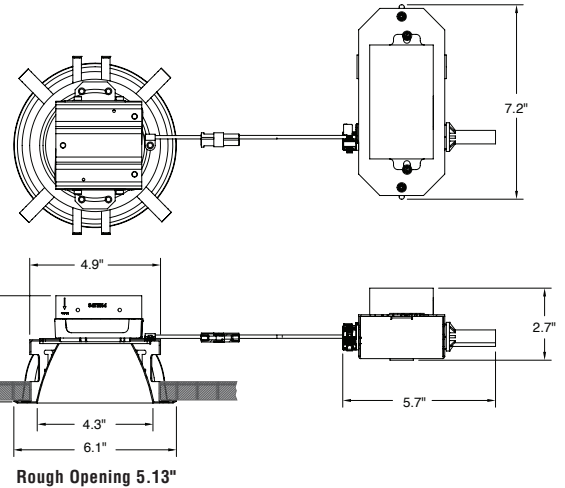
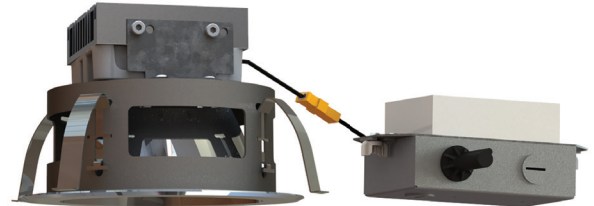
**CALIBER**  
COMMERCIAL

## SERIES RM4SVLFL2X Remodel/Retrofit Shallow Plenum LED Downlight - 683-1951 Lumen



**S4 SHALLOW  
PLENUM SERIES**

**5 Year  
Warranty**



Catalog #:

**RM4SVLFL2X**

Example: RM4SVLFL2X11004KE1DA

Fixture Series	Lumens	Color Temp.	Input Voltage	Dimming
RM4SVLFL2X	800 = (683-730L, 9W)	5K** (5000K) 4K (4000K) 35K (3500K) 3K (3000K) 27K* (2700K)	E1 120 Volt E2 277 Volt E3 347 Volt <sup>#</sup>	DA Xitanium 1% 0-10V (linear) standard  More Options On Next Page
	1100 = (975-1043L, 12W)			
	1500 = (1347-1440L, 15W)			
	2000 = (1825-1951L, 21W)			
	C9 = 90 CRI See next page for delivered lumens data.			

\* 90 CRI Only

\*\* 5000K only available in 80 CRI.

# Available with DS Dimming Only

**RM4SVLED**

Example: RM4SVLEDSCLPF

Trim	Trim Finish w/polished flange
RM4SVLED – Medium 60° Downlight Reflector	
WL2	– Upper Lens Wet Location
SCLPF	– Soft Specular Clear Alzak
HAZPF	– Haze Alzak
For white painted flange, drop "PF" from Catalog #. For other finishes, consult reflector section.	

### Options

- RMGR47W = Goof ring, 7.5" O.D., white finish
- EM = Emergency Battery Pack with remotely located test-switch

Manufactured and tested to UL#1598, UL#8750, and CSA standards. Fixtures are not designed for direct contact with insulation.

All Pathway® products meet or exceed requirements as established by the National Electrical Code. Specifications subject to change without notice. Alzak® is a registered trademark of Alcoa.

Fixture:	Type:
Project:	

**PATHWAY**  
LIGHTING

Pathway Lighting Products, Inc., P.O. Box 591, Old Saybrook, CT 06475-0591  
voice 800.342.0592 • fax 800.207.0090 • www.pathwaylighting.com • e-mail: sales@pathwaylighting.com

LDFX38.1  
CEMBUN

**Dimming Options:**

Specify option by suffix (shown in bold-face type)

Our White Paper regarding Linear vs. Logarithmic Operating Characteristics is available in our 'Downloads' section of our website, or you may request one by emailing [Sales@PathwayLighting.com](mailto:Sales@PathwayLighting.com)

0-10V Dimming Options	Lutron Dimming Options	DALI Dimming Options
<b>DA</b> = Xitanium 1% 0-10V (linear) <b>DB</b> = Xitanium 1% 0-10V (logarithmic) <b>DC</b> = EldoLED 0-10V 0% (logarithmic) <b>DD</b> = EldoLED 0-10V 1% (logarithmic) <b>DE</b> = EldoLED 0-10V 0% (linear) <b>DF</b> = EldoLED 0-10V 1% (linear) <b>DS</b> = Sage 0-10V 1% (linear)*	<b>DG</b> = Lutron Eco 1% (linear) <b>DJ</b> = Lutron 2 wire 1% (linear)	<b>DK</b> = EldoLED DALI 0% (logarithmic) <b>DL</b> = EldoLED DALI 1% (logarithmic)
DMX Dimming Options	Misc. Dimming Options	
<b>RDM COMPLIANT</b> <b>XG</b> = DMX EldoLED 0% (logarithmic) <b>XH</b> = DMX EldoLED 0% (linear)	<b>DM</b> = 2-Wire Forward/Reverse Phase (120V)	

\* 347V only

**Delivered Lumen Data - Open Trim (3500K Color Temperature)**

FIXTURE	TRIM	RATED LUMENS	WATTAGE	DELIVERED LUMENS	BEAM DISTRIBUTION	LPW
RM4SVLFL2X80035K	RMS4VLEDSCLPF	800	9	730	61°	81.1
RM4SVLFL2X110035K	RMS4VLEDSCLPF	1100	12	1043	61°	86.9
RM4SVLFL2X150035K	RMS4VLEDSCLPF	1500	15	1440	61°	96.0
RM4SVLFL2X200035K	RMS4VLEDSCLPF	2000	21	1951	61°	92.9

**Delivered Lumen Data - WL2 Lens (3500K Color Temperature)**

FIXTURE	TRIM	RATED LUMENS	WATTAGE	DELIVERED LUMENS	BEAM DISTRIBUTION	LPW
RM4SVLFL2X80035K	RMS4VLEDWL2SCLPF	800	9	683	60°	75.9
RM4SVLFL2X110035K	RMS4VLEDWL2SCLPF	1100	12	975	60°	81.3
RM4SVLFL2X150035K	RMS4VLEDWL2SCLPF	1500	15	1347	60°	89.8
RM4SVLFL2X200035K	RMS4VLEDWL2SCLPF	2000	21	1825	60°	86.9

Scaling factors for other color temperatures: 3000K = 0.97 ; 4000K = 1.03 ; 5000K = 0.98  
90 CRI = 0.83