

APPLICATION

Low voltage LED lighting fixtures using remote driver platforms are ideally suited to applications that require easy access to LED drivers for routine maintenance and improved LED life and reliability. Remote driver platforms are especially useful in hard to access ceilings and where historical or important architectural features cannot be disturbed after lighting fixtures are installed. Suspended LED downlights for general illumination in medium to high ceiling applications such as offices, malls and retail spaces where long life and energy efficient LED operation is desirable.

PRODUCT DATA

SHADE: "Split"reflector features acrylic upper shade in white or amber and satin anodized aluminum lower shade. A variety of colors are offered. Contact sales department for custom colors.

LENS: Optional lenses are available to enclose the fixture, secured with metal clamp band. See options below.

MECHANICAL: The cylindrical housing is constructed of satin anodized aluminum extrusions, finned for optimum heat dissipation.

ELECTRICAL: Fixture designed to be used with remote low voltage power distribution systems. Includes a quick connect power connector and thermal protection module. See table for wattages and delivered lumens at various drive currents.

LED MODUL: Bridgelux Vero Series LED module. CRI = 80.

HEAT MANAGEMENT: Engineered heat sink provides passive cooling for optimum heat management of the LED engine.

- Expected lamp life to be 50,000 hours with 70% lumen maintenance when ambient temperatures do not exceed 45°C. Lower ambient temperatures yield longer lamp life.

BENEFITS OF REMOTE DRIVER PLATFORMS

- Centralized power (driver) located in an accessible location for easy maintenance.
- Improved thermal management in lighting fixtures yields dramatically increased LED life and reliability.
- Remote driver with low voltage distribution – up to 200 ft.
- Low voltage class 2 wiring between driver panel and lighting fixtures. No conduit required.

CALIBER PLUS

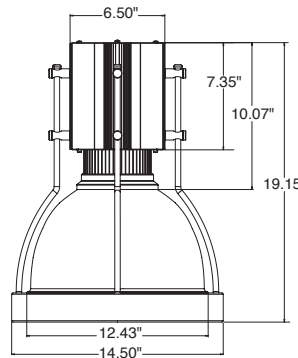
ARCHITECTURAL

SERIES P52LCD/PS12/LR12A

Low Voltage LED Pendant with Remote Driver/Power Supply



Conical Prismatic Drop Lens



(LS12) Stepped Ring



Listed For Damp Location

Catalog #:

P52LCDB79V

Example: P52LCDB79V4KC1A / PS12WAW / LR12A

Fixture Series	Color Temp.	Suspension	Ceiling Canopy / Cord Color	Upper Housing Finish	Options
P52CDB79V (762-8180 delivered lumens)	5K = 5000K 4K = 4000K 35K = 3500K 3K = 3000K 27K = 2700K C9 = 90 CRI	C = Aviation Cable coiled 10' cord § S = Aviation Cable / straight 10' cord <i>For special length, specify in feet (ie, C16 = 16')</i> P = Pendant provision F = Surface Mount W1† = Straight Wall Bracket W2† = Rocket Wall Bracket PH = Power Hook <i>Increases overall height 4.5"</i>	(for C & S mounting) 1 = White canopy/ White cord 2 = White canopy/ Black cord 9 = White canopy/ Clear cord 3 = Black canopy/ White cord 4 = Black canopy/ Black cord 10 = Black canopy/ Clear cord 7 = Silver canopy/ White cord 8 = Silver canopy/ Black cord 11 = Silver canopy/ Clear cord 5 = Bronze canopy/ White cord 6 = Bronze canopy/ Black cord 12 = Bronze canopy/ Clear cord Coiled cord not available in clear cord style.	A = Anodized Aluminum W = White B = Black Z = Bronze	F = Fuse 1 = Conical Lens 2 = Clear Flat Acrylic Lens 3 = Clear Domed Acrylic Lens

† Specify color: A = Anodized, B = Black, Z = Bronze, W = White

§ Coiled cord not available with dimming option.

Shade Style	Upper Acrylic	Lower Shade	Decor Attachment
PS12 = Split Reflector	W = White A = Amber	Exterior: A = Anodized W = White B = Black Z = Bronze Interior: W = White	LR12† = Standard Ring LS12† = Stepped Ring

Fixture:	Type:
Project:	

Manufactured and tested to UL#1598, UL#8750 and CSA standards. Note: Suitable for damp location. All Pathway® products meet or exceed requirements as established by the National Electrical Code. Specifications subject to change without notice. Alzak® is a registered trademark of Alcoa.



Pathway Lighting Products, Inc., P.O. Box 591, Old Saybrook, CT 06475-0591
voice 800.342.0592 • fax 800.207.0090 • www.pathwaylighting.com • e-mail: sales@pathwaylighting.com

LCDP25.5
CNBCUL

CALIBER PLUS

ARCHITECTURAL

Delivered lumen/wattage data for fixtures in 3500K color temperature

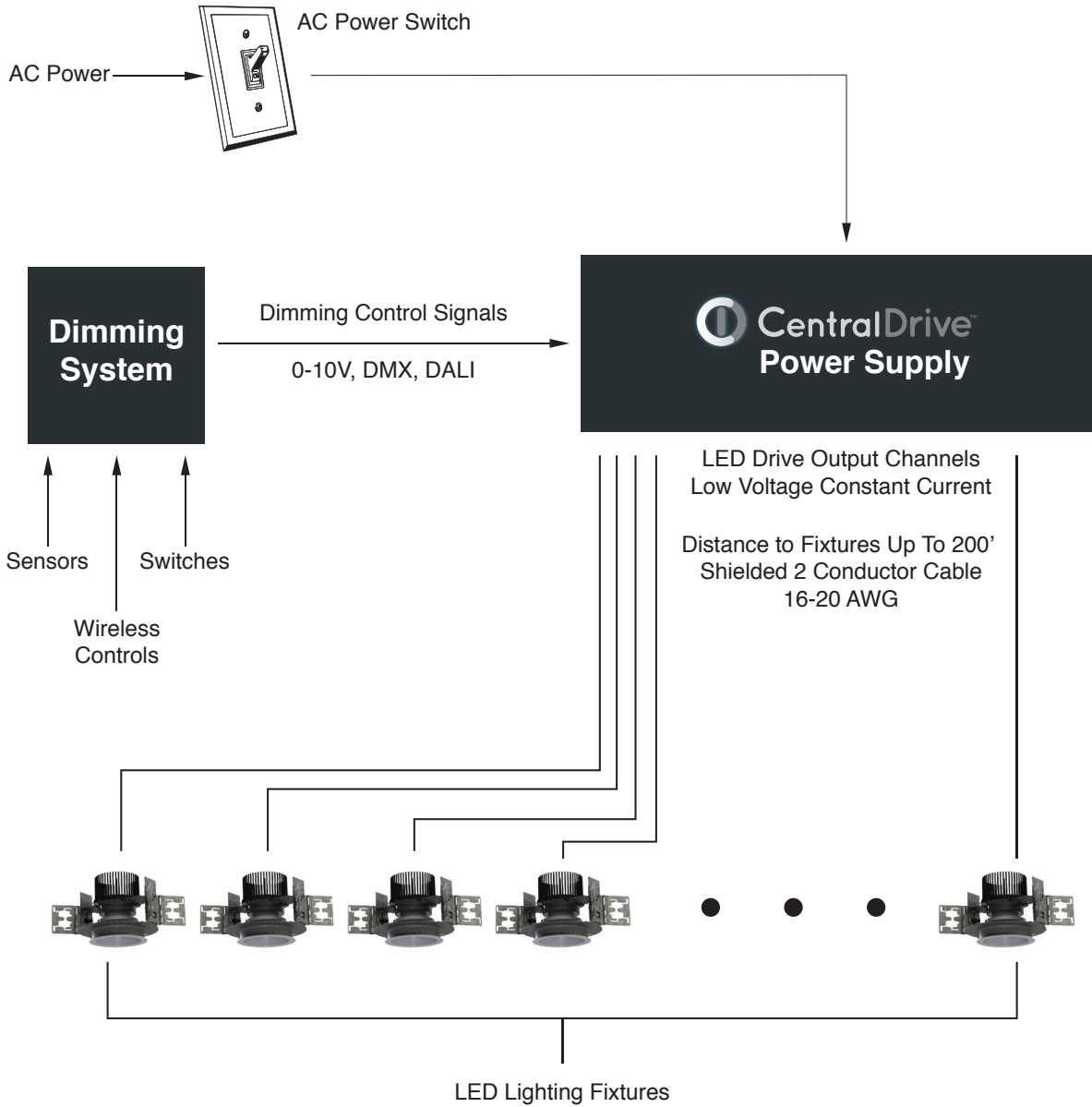
FIXTURE	TRIM	CURRENT	WATTAGE	RATED LUMENS	DELIVERED LUMENS	BEAM DISTRIBUTION	LPW
P52LCDB79V35K	PS12A_LR12A	200	7	1000	762	70°	108.86
P52LCDB79V35K	PS12A_LR12A	300	10	1500	1175	70°	117.50
P52LCDB79V35K	PS12A_LR12A	350	12	1750	1394	70°	116.17
P52LCDB79V35K	PS12A_LR12A	400	14	2000	1613	70°	115.21
P52LCDB79V35K	PS12A_LR12A	500	17	2500	2015	70°	118.53
P52LCDB79V35K	PS12A_LR12A	600	21	3000	2437	70°	116.05
P52LCDB79V35K	PS12A_LR12A	700	25	3500	2849	70°	113.96
P52LCDB79V35K	PS12A_LR12A	800	29	4000	3277	70°	113.00
P52LCDB79V35K	PS12A_LR12A	1000	36	5000	4059	70°	112.75
P52LCDB79V35K	PS12A_LR12A	1200	44	6000	4848	70°	110.18
P52LCDB79V35K	PS12A_LR12A	1750	65	8000	6933	70°	106.66
P52LCDB79V35K	PS12A_LR12A	2100	80	10000	8180	70°	102.25

Above Values reflect 3500K color temperatures.

Scaling factors for other temperatures: 2700K = .92 ; 3000K = .97 ; 4000K = 1.01 ; 5000K = 1.04

90 CRI = .83

Typical Layout for Low Voltage LED Lighting Fixtures with Remote Driver Platform



Note: For all CentralDrive systems, emergency backup applications must use a dedicated power supply supported by inverter/generator power.

AVAILABLE OPTIONS

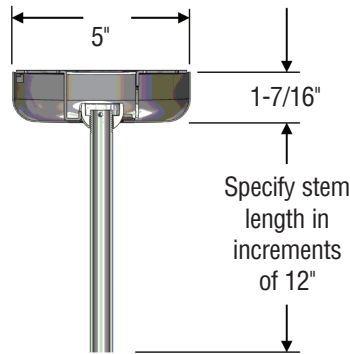


10' AVIATION CABLE AND COILED CORD (C)



10' AVIATION CABLE AND STRAIGHT CORD (S)

Contact Sales Department for custom lengths.

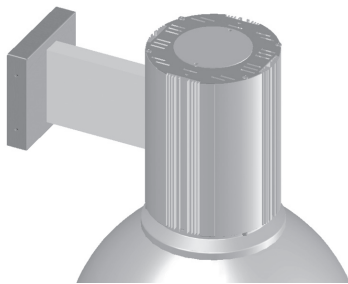


PENDANT MOUNT (P)

Swivel mount canopy allows cylinder to hang plumb up to 45° sloped ceiling stem 3/8" IPS (specify length) canopy adds 2.0" to overall length. Standard finish white powder coat. Specify Pendant Kit as follows:

EXAMPLE: **PK 24 SA**

Swivel Pendant Kit _____
Stem Length in inches (add 1.5" for canopy) _____
Satin Aluminum (SA), White Finish (W),
Black (B), or Bronze (Z) _____



WALL MOUNT (W1)

Standard bracket protrudes 6.58" from wall. Mounts to 4" octagon junction box.

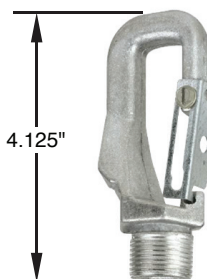


SURFACE MOUNT (F)

Provided with mounting holes for securement to 4" octagon junction box. Canopy adds 1.25" to overall height



ROCKET ARM WALL MOUNT (W2)



POWER HOOK (PH)

- 3/4" Male Thread
- 18" Flying Leads are supplied for electrical connections