

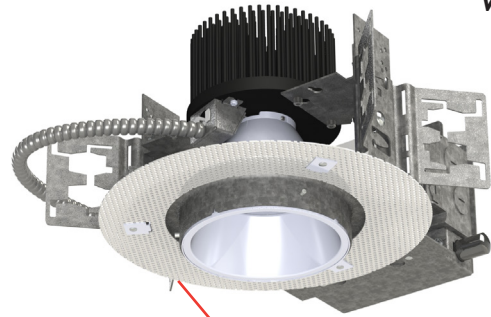
CALIBER PLUS

ARCHITECTURAL

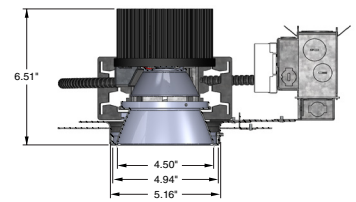
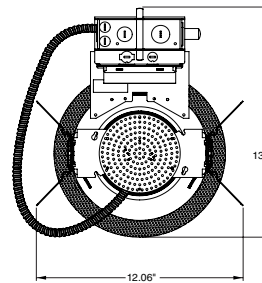
SERIES 4LBV-NF Flush Mount

867 - 9978 Lumen Bridgelux LED – Open Downlight

5 Year
Warranty



Anchor ring allows drywall to be secured to product minimizing movement, reducing cracks. Anchor ring adjusts for ceiling thickness of 1/2", 5/8", 3/4", 1"



Rough Opening 5.13"



For Damp Location

APPLICATION

These high-lumen fixtures are ideally suited for lobbies, auditoriums and many other applications with high ceilings, where superior light output is needed. Suitable for commercial, retail, and institutional applications that require an energy saving, long life LED lamp source and a flush mount micro-trim flange. Multiple beam distributions are ideal substitutes for par lamps, allow flexibility for the designer and eliminate glare and cut off issues.

PRODUCT DATA

REFLECTOR: Dual-optic system includes upper cone which determines the beam distribution and lower reflector to finish the ceiling without glare and features a 45° cut-off to source and source image. Narrow (3/16") trim flange is flush with ceiling line for a clean appearance and smooth transition between the ceiling and fixture aperture. Standard finish is soft clear Alzak with matching polished flange. Optional finishes available.

HOUSING: Heavy-gauge galvanized steel housing provides a secure mounting platform for the electrical components and protects the optical assembly. Integral plaster ring allows drywall compound to be applied up to edge of aperture. Trim flange rests in a flush mount position with drywall compound. Housing can be mechanically fastened to drywall to prevent movement and eliminate cracking or chipping. LED module is accessible from below.

MOUNTING: Universal mounting brackets adjust vertically and accept L-BAR interlocking, expandable c-channel hanger bars which are supplied standard. L-BARS are suitable for T-bar, wood joist and metal joist ceiling styles. Additional features on last page.

ELECTRICAL: 120 or 277 VAC, 50-60 Hz.

JUNCTION BOX: Heavy-gauge galvanized junction box pre-wired with grounding pigtail. Easy access covers. Multiple conduit knockouts listed for through branch circuit wiring.

LED MODULE: Bridgelux LED module. CRI = 80.

Available in 90 CRI.

HEAT MANAGEMENT: Engineered heat sink provides passive cooling for optimum heat management of the LED engine.

DIMMING: Standard product is compatible with 0-10 volt dimming controls. Additional options available.

- Expected lamp life to be 50,000 hours with 70% lumen maintenance when ambient temperatures do not exceed 45°C. Lower ambient temperatures yield longer lamp life.

Catalog #:

4LBV

Example: 4LBV704KE1M40DANF

4PLED

Example: 4PLEDHAZNF

Fixture Series	Delivered Lumens (Range)	Color Temp.	Input Voltage	Beam Dist.	Dimming	Options
4LBV	10 = (867L - 1015L, 9W)	5K = 5000K 4K = 4000K 35K = 3500K 3K = 3000K 27K = 2700K	E1 120 Volt E2 277 Volt E3 347 Volt**	S20 = 20°* N30 = 30°* M40 = 40° W50 = 50° XW60 = 60° FL70 = 70°	DA = Xitanium 1% 0-10V (linear) is standard. More options on next page.	NF = Flush Mount Trim See Below for Additional Options
	20 = (2124L - 2486L, 21W)					
	30 = (2925L - 3424L, 29W)					
	40 = (4037L - 4725L, 42W)					
	50 = (4912L - 5749L, 50W)					
	60 = (5788L - 6774L, 64W)					
	70 = (6570L - 7690L, 75W)					
	80 = (7030L - 8229L, 83W)					
	90 = (7709L - 9134L, 84W)					
	100 = (8417L - 9978L, 93W)					
C9 = 90 CRI See next page for details on delivered lumens.						

Trim	Trim Finish
4PLED – Open Downlight Reflector	
SCL	– Soft Specular Clear Alzak
HAZ	– Haze Alzak
MWH	– Matte White
NF	– Flush Micro Trim Flange
WL	– Sealed Lens Option for Wet Location
For other finishes, consult last page.	

* Only available on models with lumen designations 10-80.

** 347V limited to 10-50 lumen designations and DS dimming option.

Options

- EM^ = Emergency Power Pack
- IEM^ = EM Battery Pack w/ Integral Test Switch (Not available for wet location or lensed fixtures)
- ^ DMX and PathWave options are not compatible with emergency battery options.

Fixture:	Type:
Project:	

Manufactured and tested to UL#1598, UL#8750 and CSA standards. Note: Suitable for damp location. Fixtures are not designed for direct contact with insulation.

All Pathway® products meet or exceed requirements as established by the National Electrical Code. Specifications subject to change without notice.



Pathway Lighting Products, Inc., P.O. Box 591, Old Saybrook, CT 06475-0591
voice 800.342.0592 • fax 800.207.0090 • www.pathwaylighting.com • e-mail: sales@pathwaylighting.com

LDBV12.5
CDMCUN

Dimming Options:

Specify option by suffix (shown in bold-face type)

Our White Paper regarding Linear vs. Logarithmic Operating Characteristics is available in our 'Downloads' section of our website, or you may request one by emailing Sales@PathwayLighting.com

0-10V Dimming Options	Lutron Dimming Options	DALI Dimming Options
<p>DA = Xitanium 1% 0-10V (linear) # DB = Xitanium 1% 0-10V (logarithmic) # DC = EldoLED 0-10V 0% (logarithmic)* DD = EldoLED 0-10V 1% (logarithmic)* DE = EldoLED 0-10V 0% (linear)* DF = EldoLED 0-10V 1% (linear)* DN = Lumastream 0-10V .3% (log.) lumen designation 100 only DR = ERP 01-10V 1% (linear) lumen designation 100 only DS = Sage 0-10V 1% (linear) 347V only, max lumen designation 50</p>	<p>Max Lumen Designation of 40 DG = Lutron Eco 1% (linear) DJ = Lutron 2 wire 1% (linear)</p>	<p>Max Lumen Designation of 50 DK = EldoLED DALI 0% (logarithmic) DL = EldoLED DALI 1% (logarithmic)</p>

DMX Dimming Options	Misc. Dimming Options
<p>Max Lumen Designation of 40 RDM COMPLIANT XG = DMX EldoLED 0% (logarithmic) XH = DMX EldoLED 0% (linear)</p>	<p>DM = 2-Wire Forward/Reverse Phase (120V, max lumen designation 30) DP = ERP 2-Wire Forward/Reverse Phase (120V, lumen designation 100 only)</p>

DMX [^] Dimming Options (interfaced through 0-10V driver)	PathWave [^] Wireless Dimming Options (interfaced through 0-10V driver)
<p>XA = DMX Xitanium 1% (linear) [^] # XB = DMX Xitanium 1% (logarithmic) [^] # XC = DMX EldoLED 0% (logarithmic)*[^] XD = DMX EldoLED 1% (logarithmic)*[^] XE = DMX EldoLED 0% (linear)*[^] XF = DMX EldoLED 1% (linear)*[^] XN = DMX/LumaStream .3% (logarithmic) lumen desig. 100 only [^]</p>	<p>PA = PathWave/Xitanium 1% 0-10V (linear) [^] # PB = PathWave/Xitanium 1% 0-10V (logarithmic) [^] # PC = PathWave/EldoLED 0% (logarithmic)*[^] PD = PathWave/EldoLED 1% (logarithmic)*[^] PE = PathWave/EldoLED 0% (linear)*[^] PF = PathWave/EldoLED 1% (linear)*[^] PN = PathWave/LumaStream .3% (logarithmic) 8000L & 10,000L only [^]</p>

* EldoLED options are only available on models with lumen designations 10-50.
[^] DMX and PathWave options are not compatible with emergency battery options.
Xitanium options are only available with lumen designations 10-90.

Delivered Lumen Data (3500K Color Temperature)

FIXTURE	TRIM	WATTAGE	RATED LUMENS	DELIVERED LUMENS	BEAM DISTRIBUTION	LPW
4LBV1035KS20NF	4PLEDSCLNF	9	1000	985	20°	109.44
4LBV1035KN30NF	4PLEDSCLNF	9	1000	974	30°	108.24
4LBV1035KM40NF	4PLEDSCLNF	9	1000	975	40°	108.35
4LBV1035KW50NF	4PLEDSCLNF	9	1000	1015	50°	112.73
4LBV1035KXW60NF	4PLEDSCLNF	9	1000	964	60°	107.09
4LBV1035KFL70NF	4PLEDSCLNF	9	1000	867	70°	96.31
4LBV2035KS20NF	4PLEDSCLNF	21	2000	2414	20°	114.95
4LBV2035KN30NF	4PLEDSCLNF	21	2000	2387	30°	113.69
4LBV2035KM40NF	4PLEDSCLNF	21	2000	2390	40°	113.80
4LBV2035KW50NF	4PLEDSCLNF	21	2000	2486	50°	118.40
4LBV2035KXW60NF	4PLEDSCLNF	21	2000	2362	60°	112.48
4LBV2035KFL70NF	4PLEDSCLNF	21	2000	2124	70°	101.16
4LBV3035KS20NF	4PLEDSCLNF	29	3000	3324	20°	114.62
4LBV3035KN30NF	4PLEDSCLNF	29	3000	3287	30°	113.36
4LBV3035KM40NF	4PLEDSCLNF	29	3000	3291	40°	113.47
4LBV3035KW50NF	4PLEDSCLNF	29	3000	3424	50°	118.06
4LBV3035KXW60NF	4PLEDSCLNF	29	3000	3253	60°	112.16
4LBV3035KFL70NF	4PLEDSCLNF	29	3000	2925	70°	100.87
4LBV4035KS20NF	4PLEDSCLNF	42	4000	4587	20°	109.21
4LBV4035KN30NF	4PLEDSCLNF	42	4000	4537	30°	108.01
4LBV4035KM40NF	4PLEDSCLNF	42	4000	4541	40°	108.12
4LBV4035KW50NF	4PLEDSCLNF	42	4000	4725	50°	112.49
4LBV4035KXW60NF	4PLEDSCLNF	42	4000	4488	60°	106.87
4LBV4035KFL70NF	4PLEDSCLNF	42	4000	4037	70°	96.11
4LBV5035KS20NF	4PLEDSCLNF	50	5000	5582	20°	111.64
4LBV5035KN30NF	4PLEDSCLNF	50	5000	5521	30°	110.41
4LBV5035KM40NF	4PLEDSCLNF	50	5000	5526	40°	110.52
4LBV5035KW50NF	4PLEDSCLNF	50	5000	5749	50°	114.99
4LBV5035KXW60NF	4PLEDSCLNF	50	5000	5462	60°	109.24
4LBV5035KFL70NF	4PLEDSCLNF	50	5000	4912	70°	98.24
4LBV6035KS20NF	4PLEDSCLNF	64	6000	6577	20°	102.77
4LBV6035KN30NF	4PLEDSCLNF	64	6000	6505	30°	101.64
4LBV6035KM40NF	4PLEDSCLNF	64	6000	6511	40°	101.74
4LBV6035KW50NF	4PLEDSCLNF	64	6000	6774	50°	105.85
4LBV6035KXW60NF	4PLEDSCLNF	64	6000	6436	60°	100.56
4LBV6035KFL70NF	4PLEDSCLNF	64	6000	5788	70°	90.43

Above Values reflect 3500K color temperatures.

Scaling factors for other temperatures: 2700K = .92 ; 3000K = .97 ; 4000K = 1.01 ; 5000K = 1.04

90 CRI = .83

(Delivered Lumen data continued on next page)

Delivered Lumen Data (3500K Color Temperature)

FIXTURE	TRIM	WATTAGE	RATED LUMENS	DELIVERED LUMENS	BEAM DISTRIBUTION	LPW
4LBV7035KS20NF	4PLEDSCLNF	75	7000	7466	20°	99.55
4LBV7035KN30NF	4PLEDSCLNF	75	7000	7384	30°	98.45
4LBV7035KM40NF	4PLEDSCLNF	75	7000	7391	40°	98.55
4LBV7035KW50NF	4PLEDSCLNF	75	7000	7690	50°	102.53
4LBV7035KXW60NF	4PLEDSCLNF	75	7000	7305	60°	97.41
4LBV7035KFL70NF	4PLEDSCLNF	75	7000	6570	70°	87.60
4LBV8035KS20NF	4PLEDSCLNF	83	8000	7989	20°	96.25
4LBV8035KN30NF	4PLEDSCLNF	83	8000	7901	30°	95.19
4LBV8035KM40NF	4PLEDSCLNF	83	8000	7909	40°	95.29
4LBV8035KW50NF	4PLEDSCLNF	83	8000	8229	50°	99.14
4LBV8035KXW60NF	4PLEDSCLNF	83	8000	7817	60°	94.18
4LBV8035KFL70NF	4PLEDSCLNF	83	8000	7030	70°	84.70
4LBV9035KM40NF	4PLEDSCLNF	84	9000	9134	40°	108.74
4LBV9035KW50NF	4PLEDSCLNF	84	9000	9028	50°	107.48
4LBV9035KXW60NF	4PLEDSCLNF	84	9000	9097	60°	108.30
4LBV9035KFL70NF	4PLEDSCLNF	84	9000	7709	70°	91.77
4LBV10035KM40NF	4PLEDSCLNF	93	10000	9978	40°	107.29
4LBV10035KW50NF	4PLEDSCLNF	93	10000	9849	50°	105.90
4LBV10035KXW60NF	4PLEDSCLNF	93	10000	9923	60°	106.70
4LBV10035KFL70NF	4PLEDSCLNF	93	10000	8417	70°	90.51

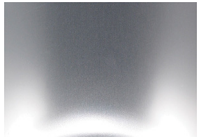
Above Values reflect 3500K color temperatures.

Scaling factors for other temperatures: 2700K = .92 ; 3000K = .97 ; 4000K = 1.01 ; 5000K = 1.04

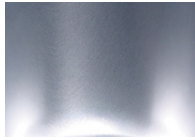
90 CRI = .83

OPTIONS & ACCESSORIES

Available Reflector Finishes



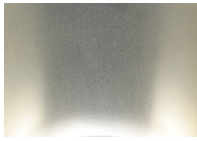
Clear
Soft Specular "SCL"



Pewter
Diffused "EPW"
Soft Specular "SPW"



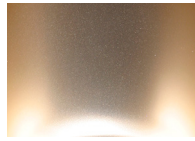
Haze
Diffused "HAZ"



Straw
Diffused "EST"
Soft Specular "SST"



Bronze
Diffused "EBZ"
Soft Specular "SBZ"



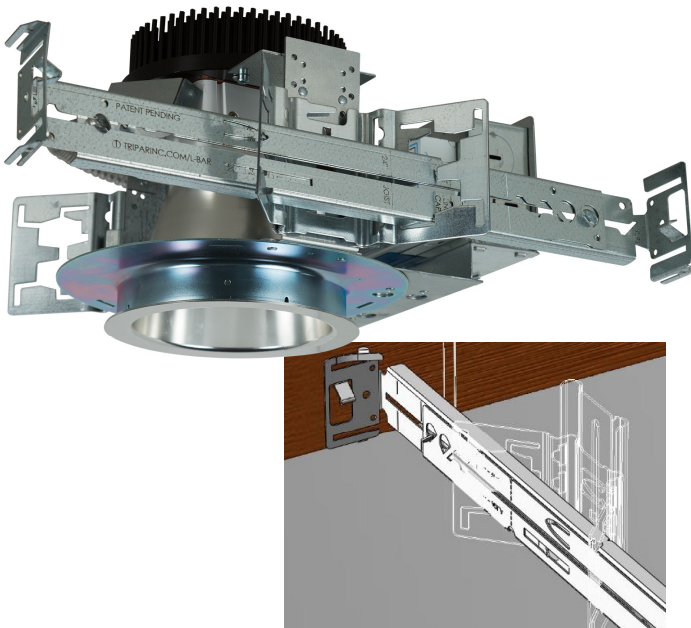
Wheat
Diffused "EWT"
Soft Specular "SWT"

Our standard reflector finish is soft specular clear Alzak (SCL). Additional hues are noted to left. Several of these are offered in both a soft specular and a diffused/matte finish. For colors not shown, contact our sales department for advice on custom anodized finishes.

Specified suffix of desired finish.

Example: 4VLEDSCL

Standard Hanger Bars



Interlocking L-Bar hanger bars are now standard with all recessed Coventry Architectural lighting fixtures. Installer friendly features include:

- L-Bars are fabricated from identical L-shaped cross sections that form a sturdy 1/2" by 1-1/2" C-channel profile for superior rigidity.
- Pre-marked with spacing locations for 24" T-bar; 16" and 24" joist ceilings (wood and metal).
- Extension locks with an easy-to-use integral twist tab. No separate fastener.
- Interlocking and expandable to 24". Can be increased to 36" or 48" with the use of one additional bars.
- Allows for offset mounting.
- Integral and barbed nail spike for wood joist ceilings.
- Fits into the c-channel notches on our butterfly mounting bracket.
- Complete details including video demonstration is available at www.pathwaylighting.com.

To increase the included L-Bar set to a 36" length, order two model #015-954 and use one per side. To increase to a 48" length, order one #LBAR which is a complete set of four bars and use two per side.