

APPLICATION

Suspended LED downlights for general illumination in medium to high ceiling applications such as offices, malls and retail spaces where long life and energy efficient LED operation is desirable.

PRODUCT DATA

SHADE: "Split" reflector features acrylic upper shade in white or amber and satin anodized aluminum lower shade. A variety of colors are offered. Contact sales department for custom colors.

MECHANICAL: The cylindrical housing is constructed of satin anodized aluminum extrusions, finned for optimum heat dissipation. Chrome plated steel arms support decorative elements while projecting a rugged industrial appearance of the fixture.

ELECTRICAL: 120 or 277 VAC, 50-60 Hz.

LED MODULE & DRIVER: LED Module and Xitanium drivers are manufactured by Philips Lighting. CRI = 80. 90 CRI available

HEAT MANAGEMENT: Engineered heat sink provides passive cooling for optimum heat management of the LED engine. Engineered heat sink provides passive cooling for optimum heat management of the LED engine. Philips Xitanium drivers, when used with Flex LED module, feature an intelligent thermal feedback loop that monitors the temperature of the LED module. Power can be reduced if the temperature exceeds the optimum operating level. LED will dim in response but will not extinguish. This feature extends the life of both the LED module and the driver.

- Expected lamp life to be 50,000 hours with 70% lumen maintenance when ambient temperatures do not exceed 45°C. Lower ambient temperatures yield longer lamp life.

MOUNTING: (Specify when ordering.)

Ceiling (Surface) Mount – Provided with mounting holes for securement to 4" octagon junction box.

Wall Mount – Standard bracket protrudes 3.25" from wall. Mounts to 4" octagon junction box. Wall bracket for DMX and Pathwave products protrudes 5.17" from wall.

Pendant Mount – Swivel mount canopy allows cylinder to hang plumb up to 45° sloped ceiling stem 3/8" IPS (specify length) canopy adds 1.5" to overall length. Standard finish white powder coat. Specify Pendant Kit Type- Example shown on last page.

Catalog #:

P48FL2X

Example: P48FL2X303KDAC1 / PS12WAW / AP16

Fixture Series	Lumens / Color Temp.	Dimming	Suspension	Ceiling Canopy / Cord Color	Upper Housing Finish	Options
P48FL2X	8 = 732L, 7W 11 = 1046L, 10W 15 = 1382L, 14W 20 = 1868L, 20W 30 = 2577L, 29W 40 = 3735L, 40W 50 = 4631L, 50W	DA = Xitanium 1% 0-10V (linear) standard More Options On Next Page	C = Aviation Cable coiled 10' cord* S = Aviation Cable/ straight 10' cord For special length, specify in feet (ie, C16 = 16') P = Pendant provision F = Surface Mount W1† = Straight Wall Bracket W2† = Rocket Wall Bracket PH = Power Hook	(for C & S mounting) *1 = White canopy/ White cord 2 = White canopy/ Black cord 9 = White canopy/ Clear cord 3 = Black canopy/ White cord 4 = Black canopy/ Black cord 10 = Black canopy/ Clear cord 7 = Silver canopy/ White cord 8 = Silver canopy/ Black cord 11 = Silver canopy/ Clear cord 5 = Bronze canopy/ White cord 6 = Bronze canopy/ Black cord 12 = Bronze canopy/ Clear cord Coiled cord not available in clear cord style	A = Anodized Aluminum W = White B = Black Z = Bronze	F = Fuse
	5K ^s = (5000K) 4K = (4000K) 35K = (3500K) 3K = (3000K) 27K ^s = (2700K)					

Shade Style	Upper Acrylic	Lower Shade		Decor Attachment
PS12 = Split Reflector	W = White A = Amber	Exterior: A = Anodized W = White B = Black Z = Bronze	Interior: W = White	AP16 = Acrylic Disc FG16 = Soda Lime Glass Disc CB16 = Cobalt Glass Disc

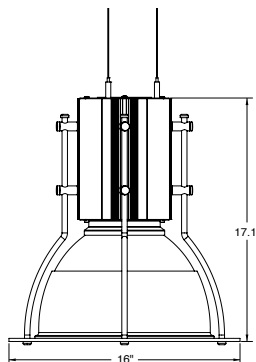
Fixture:	Type:
Project:	

CALIBER 
COMMERCIAL

SERIES P48FL2X/PS12/AP16

Pendant Downlight w/Split Reflector 732 - 4631L Flex

Solerio
Decorative Lighting



Intertek
Listed For Damp
Location

Options

- IEM[^] = EM Battery Pack w/ Integral Test Switch. Special Ceiling Canopy Required. Not available in wall mount.

^s 5000K only available in 80 CRI

^s 2700K only available in 90 CRI (C9).

* Not available with dimming option.

† Specify color: A = Anodized, B = Black, Z = Bronze, W = White - Increases overall height 4.5"

[^] DMX, PathWave, and fixtures with IEM options require the use of a canopy. Not available in wall mount models.

Manufactured and tested to UL#1598, UL#875S0 and CSA standards. Note: Suitable for damp location.

All Pathway® products meet or exceed requirements as established by the National Electrical Code. Specifications subject to change without notice. Alzak® is a registered trademark of Alcoa.

PATHWAY
LIGHTING

Pathway Lighting Products, Inc., P.O. Box 591, Old Saybrook, CT 06475-0591
voice 800.342.0592 • fax 800.207.0090 • www.pathwaylighting.com • e-mail: sales@pathwaylighting.com

LPFX9.0
CNMLUL

Dimming Options:

Specify option by suffix (shown in bold-face type)

Our White Paper regarding Linear vs. Logarithmic Operating Characteristics is available in our 'Downloads' section of our website, or you may request one by emailing Sales@PathwayLighting.com

0-10V Dimming Options	Lutron Dimming Options	DALI Dimming Options	Forward/Reverse Phase Options
DA = Xitanium 1% 0-10V (linear) DB = Xitanium 1% 0-10V (logarithmic) DC = EldoLED 0-10V 0% (logarithmic) DD = EldoLED 0-10V 1% (logarithmic) DE = EldoLED 0-10V 0% (linear) DF = EldoLED 0-10V 1% (linear) DS = Sage 0-10V 1% (linear) 347V only	Max Lumen = 4000 at 80 CRI, or Max Lumen = 3000 at 90 CRI DG = Lutron Eco 1% (linear) DJ = Lutron 2 wire 1% (linear)	DK = EldoLED DALI 0% (logarithmic)** DL = EldoLED DALI 1% (logarithmic)**	Max Lumen = 3000 at 80 CRI, or Max Lumen = 2000 at 90 CRI DM = 120V 2-wire forward/reverse phase 1% (linear)
DMX^ Dimming Options (interfaced through 0-10V driver)	PathWave^ Wireless Dimming Options (interfaced through 0-10V driver)	RDM DMX	
XA = DMX Xitanium 1% (linear)^ XB = DMX Xitanium 1% (logarithmic)^ XC = DMX EldoLED 0% (logarithmic)**^ XD = DMX EldoLED 1% (logarithmic)**^ XE = DMX EldoLED 0% (linear)**^ XF = DMX EldoLED 1% (linear)**^	PA = PathWave/Xitanium 1% 0-10V (linear)^ PB = PathWave/Xitanium 1% 0-10V (logarithmic) ^ PC = PathWave/EldoLED 0% (logarithmic)**^ PD = PathWave/EldoLED 1% (logarithmic)**^ PE = PathWave/EldoLED 0% (linear)**^ PF = PathWave/EldoLED 1% (linear)**^	XG = DMX EldoLED 0% (logarithmic)** XH = DMX EldoLED 0% (linear)**	

** Max lumen = 5000 at 80 CRI, or Max lumen = 4000 at 90 CRI

^ DMX, PathWave and 347V input (E3) options are not compatible with emergency battery options.

Delivered Lumen Data - 80 CRI (3500K Color Temperature)

FIXTURE	TRIM	LENS	RATED LUMENS	WATTAGE	DELIVERED LUMENS	BEAM DISTRIBUTION	LPW
P48FL2X835KDA,DB	PS12WAW_AP16	ACRYLIC DISC	800	7	732	61°	104.6
P48FL2X1135KDA,DB	PS12WAW_AP16	ACRYLIC DISC	1100	10	1046	61°	104.6
P48FL2X1535KDA,DB	PS12WAW_AP16	ACRYLIC DISC	1500	14	1382	61°	98.7
P48FL2X2035KDA,DB	PS12WAW_AP16	ACRYLIC DISC	2000	20	1868	61°	93.4
P48FL2X3035KDA,DB	PS12WAW_AP16	ACRYLIC DISC	3000	29	2577	61°	88.9
P48FL2X4035KDA,DB	PS12WAW_AP16	ACRYLIC DISC	4000	40	3735	61°	93.4
P48FL2X5035KDA,DB	PS12WAW_AP16	ACRYLIC DISC	5000	50	4631	61°	92.6

*Above Values reflect 3500K color temperatures and DA or DB Dimming. Add 2 Watts to power for other dimming options.
Scaling factors for other color temperatures: 3000K = 0.97 ; 4000K = 1.03 ; 5000K = 0.98*

Delivered Lumen Data - 90 CRI (3500K Color Temperature)

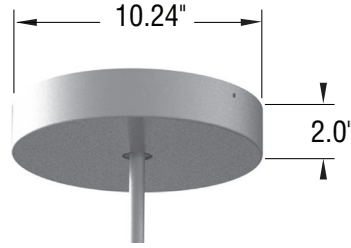
FIXTURE	TRIM	LENS	RATED LUMENS	WATTAGE	DELIVERED LUMENS	BEAM DISTRIBUTION	LPW
P48FL2X835C9KDA,DB	PS12WAW_AP16	ACRYLIC DISC	800	9	783	61°	87.1
P48FL2X1135C9KDA,DB	PS12WAW_AP16	ACRYLIC DISC	1100	12	1046	61°	87.2
P48FL2X1535C9KDA,DB	PS12WAW_AP16	ACRYLIC DISC	1500	17	1375	61°	80.9
P48FL2X2035C9KDA,DB	PS12WAW_AP16	ACRYLIC DISC	2000	24	1842	61°	76.7
P48FL2X3035C9KDA,DB	PS12WAW_AP16	ACRYLIC DISC	3000	36	2801	61°	77.8
P48FL2X4035C9KDA,DB	PS12WAW_AP16	ACRYLIC DISC	4000	48	3761	61°	78.4
P48FL2X5035C9KDA,DB	PS12WAW_AP16	ACRYLIC DISC	5000	62	4655	61°	75.1

*Above Values reflect 3500K color temperatures and DA or DB Dimming. Add 2 Watts to power for other dimming options.
Scaling factors for other color temperatures: 2700K = 0.93 ; 3000K = 0.97 ; 4000K = 1.03*

AVAILABLE OPTIONS



10' AVIATION CABLE AND COILED CORD (C)

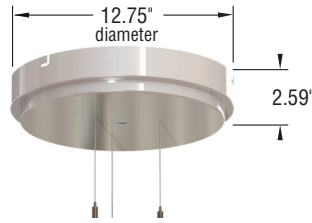


UNIVERSAL CEILING CANOPY
For DMX and PathWave options.

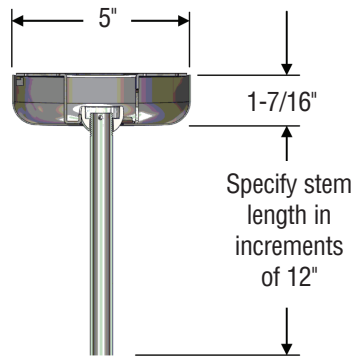


10' AVIATION CABLE AND STRAIGHT CORD (S)

Contact Sales Department for custom lengths.



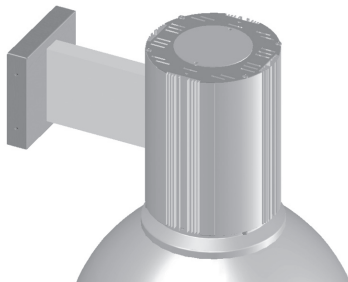
IEM CEILING CANOPY
For emergency options. Not available in wall mount models.



PENDANT MOUNT (P)

Swivel mount canopy allows cylinder to hang plumb up to 45° sloped ceiling stem 3/8" IPS (specify length) canopy adds 2.0" to overall length. Standard finish white powder coat. Specify Pendant Kit as follows:

EXAMPLE: **PK 24 SA**
Swivel Pendant Kit _____ (For models using IEM, DMX, or PathWave options, specify PKU).
Stem Length in inches (add 1.5" for canopy) _____
Satin Aluminum (SA), White Finish (W), Black (B), or Bronze (Z) _____



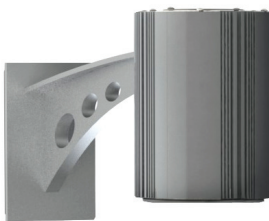
WALL MOUNT (W1)

Standard bracket extends 10" from wall. Mounts to 4" octagon junction box. DMX wall bracket extends 11.97".



SURFACE MOUNT (F)

Provided with mounting holes for securement to 4" octagon junction box. Canopy adds 1.25" to overall height



ROCKET ARM WALL MOUNT (W2)



POWER HOOK (PH)

- 3/4" Male Thread
- 18" Flying Leads are supplied for electrical connections