

APPLICATION

Small-aperture wall wash downlight is suitable for commercial, retail and institutional applications that require an energy saving, long life LED lamp source, high lumen output and excellent color rendering characteristics.

PRODUCT DATA

REFLECTOR: Reflector optics feature an internal kicker that delivers uniform illumination to vertical surfaces. A 5/8" overlap flange is standard. Specular Clear Alzak is standard; other finishes available for design flexibility.

HOUSING: Heavy-gauge galvanized steel housing provides a secure mounting platform for the electrical components and protects the optical assembly. Standard plaster flange allows one-inch ceiling thickness with custom depth available. LED module is accessible from below.

MOUNTING: Universal mounting brackets adjust vertically and accept L-BAR interlocking, expandable, C-channel hanger bars which are supplied standard. L-BARS are suitable for T-bar, wood joist, and metal joist ceiling styles. Additional features on last page.

ELECTRICAL: Standard 120 or 277 VAC, 50-60 Hz. Optional 347V (E3).

JUNCTION BOX: Heavy-gauge galvanized junction box pre-wired with grounding pigtail. Easy access covers. Multiple conduit knockouts listed for through branch circuit wiring.

LED MODULE & DRIVER: LED Module and Xitanium drivers are manufactured by Philips Lighting. 80 CRI is standard. 90 CRI available.

DIMMING: Standard product is compatible with 0-10 volt dimming controls. See below for additional options.

HEAT MANAGEMENT: Engineered heat sink provides passive cooling for optimum heat management of the LED engine. Philips Xitanium drivers, when used with Flex LED module, features an intelligent thermal feedback loop that monitors the temperature of the LED module. Power will be reduced if the temperature exceeds the optimum operating level. LED will dim in response but will not extinguish. This feature extends the life of both the LED module and driver.

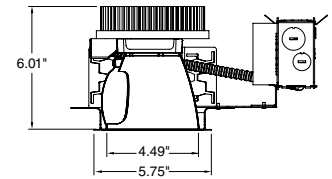
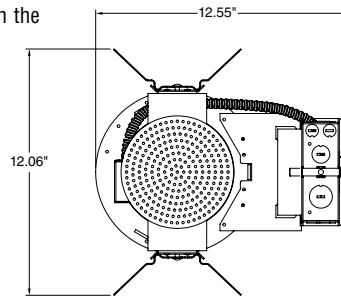
- Expected lamp life to be 50,000 hours with 70% lumen maintenance when ambient-temperatures do not exceed 45°C. Lower ambient temperatures yield longer lamp life.

CALIBER
COMMERCIAL

SERIES 4VFL2XWW
Recessed LED Wall Wash – 653 - 4151 Lumen Flex

 **3-Day Quick Ship**
1-50 pieces, 3500K Color Temp.

5 Year Warranty



Rough Opening 5.13"



Intertek

For Damp Location

Catalog #:

4VFL2X

Example: 4VFL2X11004KE1DA

Fixture Series	Delivered Lumens	Color Temp.	Input Voltage	Dimming
4VFL2X	800 (653L, 7W)	5K [§] (5000K) 4K (4000K) 35K (3500K) 3K (3000K) 27K [§] (2700K)	120/277V When Using DA, DB Dimming*	DA, DB Xitanium 1% 0-10V (linear) standard More Options On Next Page
	1100 (933L, 10W)			
	1500 (1240L, 14W)			
	2000 (1600L, 20W)			
	3000 (2524L, 29W)			
	4000 (3361L, 40W)			
	5000 (4151L, 50W)			
	C9 = 90 CRI			
	See third page for delivered lumens data and 90 CRI wattages.			

[§] 5000K only available in 80 CRI

[§] 2700K only available in 90 CRI (C9).

* Input voltage (E1, E2) not required to be specified with standard dimming (DA, DB)

^ DMX PathWave, and 347V input (E3) options are not compatible with emergency battery options

Fixture:	Type:
Project:	

4VLEDWW

Example: 4VLEDWWSCPLPF

Trim	Trim Finish w/polished flange
4VLEDWW – Wall Wash Reflector	
4VLEDDW – Double Wall Wash Reflector	
	SCLPF – Soft Specular Clear Alzak
	HAZPF – Haze Alzak
For white painted flange, drop "PF" from Catalog #. For other finishes, consult reflector last page.	

Options

- EM[†] = Emergency Battery Pack w/remotely located Test Switch
- IEM[†] = EM Battery Pack w/ Integral Test Switch. (Not Available for Wet Location or Lensed Fixtures)

Manufactured and tested to UL#1598/8750 and CSA standards. Fixtures are not designed for direct contact with insulation.

All Pathway® products meet or exceed requirements as established by the National Electrical Code. Specifications subject to change without notice. Alzak® is a registered trademark of Alcoa.

PATHWAY
LIGHTING

Pathway Lighting Products, Inc., P.O. Box 591, Old Saybrook, CT 06475-0591
voice 800.342.0592 • fax 800.207.0090 • www.pathwaylighting.com • e-mail: sales@pathwaylighting.com

LDFX21.0
CNMDUA

Dimming Options:

Specify option by suffix (shown in bold-face type)

Our White Paper regarding Linear vs. Logarithmic Operating Characteristics is available in our 'Downloads' section of our website, or you may request one by emailing Sales@PathwayLighting.com

Please specify input voltage when using dimming option other than DA or DB. E1 = 120 volt, E2 = 277 volt.

0-10V Dimming Options	Lutron Dimming Options	DALI Dimming Options	Forward/Reverse Phase Options
DA = Xitanium 1% 0-10V (linear)* DB = Xitanium 1% 0-10V (logarithmic)* DC = EldoLED 0-10V 0% (logarithmic) DD = EldoLED 0-10V 1% (logarithmic) DE = EldoLED 0-10V 0% (linear) DF = EldoLED 0-10V 1% (linear) DS = Sage 0-10V 1% (linear) 347V only DT = 0-10V 1% (linear) dim to off**	Max Lumen = 4000 at 80 CRI, or Max Lumen = 3000 at 90 CRI DG = Lutron Eco 1% (linear) DJ = Lutron 2 wire 1% (linear)	DK = EldoLED DALI 0% (logarithmic)** DL = EldoLED DALI 1% (logarithmic)**	DM = 120V 2-wire forward/reverse phase 1% (linear)

DMX^ Dimming Options (interfaced through 0-10V driver)	RDM DMX
XA = DMX Xitanium 1% (linear)^ XB = DMX Xitanium 1% (logarithmic)^ XC = DMX EldoLED 0% (logarithmic)^ XD = DMX EldoLED 1% (logarithmic)^ XE = DMX EldoLED 0% (linear)^ XF = DMX EldoLED 1% (linear)^	Max Lumen = 4000 at 80 CRI, or Max Lumen = 3000 at 90 CRI XG = DMX EldoLED 0% (logarithmic) XH = DMX EldoLED 0% (linear)

* Xitanium driver (DA, DB) is the standard dimming option and does not require that 120V input (E1) or 277V input (E2) to be specified.

** Max lumen = 5000 at 80 CRI, or Max lumen = 4000 at 90 CRI

^ DMX and 347V input (E3) options are not compatible with emergency battery options.

Delivered Lumen Data - 80 CRI (3500K Color Temperature)

FIXTURE	TRIM	RATED LUMENS	WATTAGE	DELIVERED LUMENS	BEAM DISTRIBUTION	LPW
4VFL2XWW80035KDA, DB	4VLEDWWSCLPF	800	7	653	60°	93.3
4VFL2XWW110035KDA, DB	4VLEDWWSCLPF	1100	10	933	60°	93.3
4VFL2XWW150035KDA, DB	4VLEDWWSCLPF	1500	14	1240	60°	88.6
4VFL2XWW200035KDA, DB	4VLEDWWSCLPF	2000	20	1600	60°	80.0
4VFL2XWW300035KDA, DB	4VLEDWWSCLPF	3000	29	2524	60°	87.0
4VFL2XWW400035KDA, DB	4VLEDWWSCLPF	4000	40	3361	60°	84.0
4VFL2XWW500035KDA, DB	4VLEDWWSCLPF	5000	50	4151	60°	83.0

Above Values reflect 3500K color temperatures and DA or DB Dimming. Add 2 Watts to power for other dimming options.
Scaling factors for other color temperatures: 3000K = 0.97 ; 4000K = 1.03 ; 5000K = 0.98

Delivered Lumen Data - 90 CRI (3500K Color Temperature)

FIXTURE	TRIM	RATED LUMENS	WATTAGE	DELIVERED LUMENS	BEAM DISTRIBUTION	LPW
4VFL2XWW800C935KDA, DB	4VLEDWWSCLPF	800	9	699	60°	77.6
4VFL2XWW1100C935KDA, DB	4VLEDWWSCLPF	1100	12	933	60°	77.8
4VFL2XWW1500C935KDA, DB	4VLEDWWSCLPF	1500	17	1234	60°	72.6
4VFL2XWW2000C935KDA, DB	4VLEDWWSCLPF	2000	24	1578	60°	65.7
4VFL2XWW3000C935KDA, DB	4VLEDWWSCLPF	3000	36	2744	60°	76.2
4VFL2XWW4000C935KDA, DB	4VLEDWWSCLPF	4000	48	3385	60°	70.5
4VFL2XWW5000C935KDA, DB	4VLEDWWSCLPF	5000	62	4172	60°	67.3

Above Values reflect 3500K color temperatures and DA or DB Dimming. Add 2 Watts to power for other dimming options.
Scaling factors for other color temperatures: 2700K = 0.93 ; 3000K = 0.97 ; 4000K = 1.03

OPTIONS & ACCESSORIES

Available Reflector Finishes



Clear
Soft Specular "SCL"



Pewter
Diffused "EPW"
Soft Specular "SPW"



Haze
Diffused "HAZ"



Straw
Diffused "EST"
Soft Specular "SST"



Bronze
Diffused "EBZ"
Soft Specular "SBZ"



Wheat
Diffused "EWT"
Soft Specular "SWT"

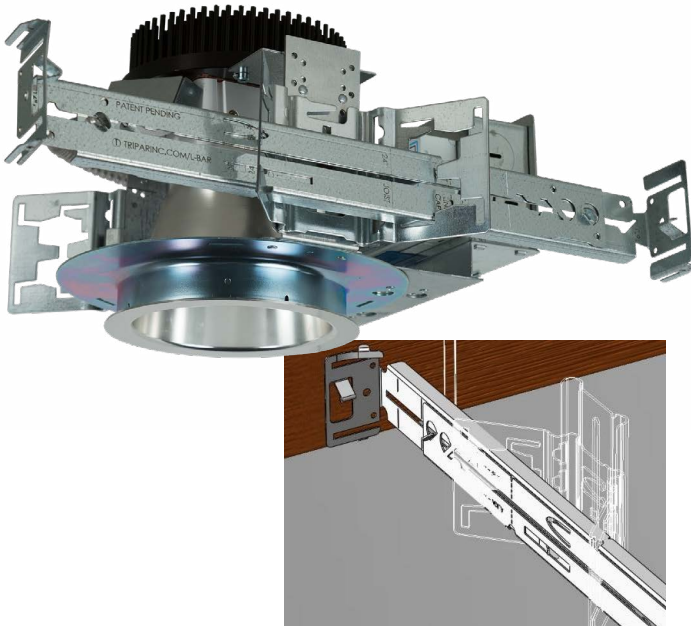
Our standard reflector finish is soft specular clear Alzak (SCL) with a polished self-flange (PF). Additional hues are noted to left. Several of these are offered in both a soft specular and a diffused/matte finish. For colors not shown, contact our sales department for advice on custom anodized finishes.

Specified suffix of desired finish.

Example: 4VLEDSCLPF

For white painted flange omit PF.

Standard Hanger Bars



Interlocking L-Bar hanger bars are now standard with all recessed Coventry Architectural lighting fixtures.

Installer friendly features include:

- L-Bars are fabricated from identical L-shaped cross sections that form a sturdy 1/2" by 1-1/2" C-channel profile for superior rigidity.
- Pre-marked with spacing locations for 24" T-bar; 16" and 24" joist ceilings (wood and metal).
- Extension locks with an easy-to-use integral twist tab. No separate fastener.
- Interlocking and expandable to 24". Can be increased to 36" or 48" with the use of one additional bars.
- Allows for offset mounting.
- Integral and barbed nail spike for wood joist ceilings.
- Fits into the C-channel notches on our butterfly mounting bracket.
- Complete details including video demonstration is available at www.pathwaylighting.com.

To increase the included L-Bar set to a 36" length, order two model #015-954 and use one per side. To increase to a 48" length, order one #LBAR which is a complete set of four bars and use two per side.