

## APPLICATION

For medium to high ceilings where lamp and lamp image cutoff are paramount and additional illumination is required. Optional with baffles for increased glare control.

## PRODUCT DATA

**REFLECTOR:** Hydroformed heavy gauge aluminum reflector with Alzak finish. Self trimming flanged splay with **fresnel** or **prismatic** lens and aluminum **baffle**. Available in a wide range of finishes.

**HOUSING:** The mounting frame is fabricated 18 gauge steel and provides a solid structure for the optical and electrical components as well as a platform for decorative attachments. Standard plaster flange allows a one inch ceiling thickness. Custom depths are available.

**MOUNTING:** Adjustable height "C" channel mounting ears allow off center installation and accept a wide variety of hanger bars, see optional accessories. For sloped ceiling, consult special section of catalog.

**ELECTRICAL:** 120/277 high power factor electronic ballasts are pre-heat rapid start, under 10% THD. Optional emergency ballast (-EM) operates one lamp for 90 minutes, faceplate with test switch and charger light. Integral push to test switch available. Contact factory for more information.

**JUNCTION BOX:** Heavy gauge galvanized junction box pre-wired to ballast with grounding pigtail. Easy access covers. Multiple conduit knockouts listed for through branch circuit wiring.

**SOCKET:** Positive latch four pin thermoplastic.

### LAMP DATA:

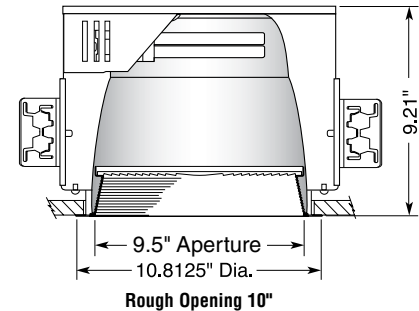
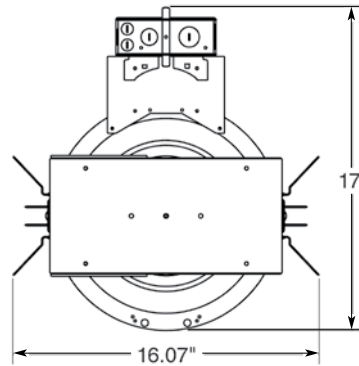
LAMP	WATTS	BASE	BALLAST	LUMENS
Quad Tube 4-Pin*	26	G24q-3	Elec.	1800
	26	GX24q-3	Elec.	1800
Triple Tube 4-Pin**	32	GX24q-3	Elec.	2400
	42	GX24q-4	Elec.	3200

\*Standard lamping, initial lumens.  
\*\*Osram/Sylvania, initial lumens (delta/hex lamp).



For Wet Location  
Under Covered Ceiling

Manufactured and tested to  
UL#1598 and CSA standards.  
Fixtures are not designed for  
direct contact with insulation.



## Catalog Number – 10HF3

Example: 10HF332TE4EM

Fixture Series	Lamp/Wattage	Ballast/Voltage	Options
10HF	QTY TYPE 3 26Q (Quad Tube)	E4 / Electronic 120/277  D1 / 120V Dimming  D2 / 277 Dimming	EM – Emergency Battery Pack  EMITS – Emergency Battery Pack with Integral Test Switch  F – Fused
	3 26T		
	3 32T		
	3 42T (Triple Tube)		

## Optional Accessories

Hanger Bars (set of 2)  
#101782 = #520 Caddy Bars 9152 = 52" C-Channel  
#9127 = 27" C-Channel 27BH = 27" Solid Bar  
#24CBH = 24" one-piece B-Line C-Channel hanger bar

Fixture Type	Job Reference/Location
Lamp Type	Approval

# Coventry

Architectural Series

## SERIES 10HF3T Lensed 10" Aperture Horizontal Fluorescent 3 Lamp Baffled Enclosed Downlight



## ABHFL103 ABHPL103

Example: ABHFL103SCL/BL or ABHPL10SCL/BL

Trim	Trim Finish
ABHFL103	Reflector with fresnel lens & baffle
ABHPL103	Reflector with prismatic lens & baffle
SCL/BL	Soft Specular Clear "Alzak" w/White Flange & Black Baffle
SCL/WH	Soft Specular Clear "Alzak" w/White Flange & White Baffle
WH/WH	Reflective White painted finish w/White Flange & White Baffle

For white painted flange, drop "PF" from Catalog #.  
For other finishes, consult reflector section.

All Pathway® products meet or exceed requirements as established by the National Electrical Code. Specifications subject to change without notice. Alzak® is a registered trademark of Alcoa.

**PATHWAY**  
the Lighting Source

Pathway Lighting Products, Inc., P.O. Box 591, Old Saybrook, CT 06475-0591  
voice 800.342.0592 • fax 800.207.0090 • www.pathwaylighting.com • e-mail: sales@pathwaylighting.com

Series 10HF3T Lensed - 10" Aperture HF 3 Lamp Baffled Enclosed Downlight

FL30.01  
UCUBCN