

## APPLICATION

For medium to high ceilings where lamp and lamp image cutoff are paramount and additional illumination is required. Optional with baffles for increased glare control.

## PRODUCT DATA

**REFLECTOR:** Hydroformed heavy gauge aluminum reflector. Self trimming flanged splay with **fresnel** or **prismatic** lens. Available in a wide range of finishes.

**HOUSING:** The mounting frame is fabricated 18 gauge steel and provides a solid structure for the optical and electrical components as well as a platform for decorative attachments. Standard plaster flange allows a one inch ceiling thickness. Custom depths are available.

**MOUNTING:** Adjustable height "C" channel mounting ears allow off center installation and accept a wide variety of hanger bars, see optional accessories. For sloped ceiling, consult special section of catalog.

**ELECTRICAL:** 120/277 high power factor electronic ballasts are pre-heat rapid start, under 10% THD. Consult Technical Section for additional ballast operating data. Optional emergency ballast (-EM) operates one lamp for 90 minutes, faceplate with test switch and charger light. Integral push to test switch available. Contact factory for more information.

**JUNCTION BOX:** Heavy gauge galvanized junction box pre-wired to ballast with grounding pigtail. Easy access covers. Multiple conduit knockouts listed for through branch circuit wiring.

**SOCKET:** Positive latch four pin thermoplastic.

## LAMP DATA:

LAMP	WATTS	BASE	BALLAST	LUMENS
Quad Tube 4-Pin*	26	G24q-3	Elec.	1800
	26	GX24q-3	Elec.	1800
Triple Tube 4-Pin**	32	GX24q-3	Elec.	2400
	42	GX24q-4	Elec.	3200

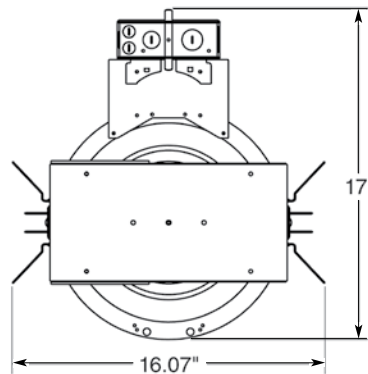
\*Standard lampling, initial lumens.

\*\*Osram/Sylvania, initial lumens (delta/hex lamp).

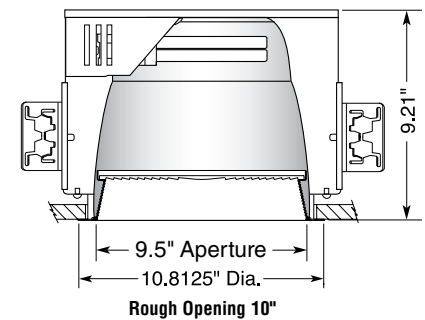


For Wet Location  
Under Covered Ceiling

Manufactured and tested to UL#1598 and CSA standards.  
Fixtures are not designed for direct contact with insulation.



Lensed fixture features fresnel (shown) or prismatic lens



## Catalog Number – 10HF3

/ AHFL103

Example: 10HF332TE4EM

Example: AHFL10SCLPF

Fixture Series	Lamp/Wattage	Ballast/Voltage	Options
10HF	<b>QTY</b>	<b>E4</b> / Electronic 120/277	<b>EM</b> – Emergency Battery Pack
	<b>TYPE</b>		
	(Quad Tube)		
	<b>3 26Q</b>		
	(Triple Tube)		
<b>3 26T</b>	<b>D1</b> / 120V Dimming	<b>EMITS</b> – Emergency Battery Pack with Integral Test Switch	
<b>3 32T</b>			
<b>3 42T</b>			
		<b>D2</b> / 277 Dimming	<b>F</b> – Fused

Trim	Trim Finish w/polished flange
<b>AHFL103</b>	– Reflector with fresnel lens
<b>AHPL103</b>	– Reflector with prismatic lens
<b>ACLHR103</b>	– Reflector with clear lens
	<b>SCLPF</b> – Soft Specular Clear "Alzak" with Polished Flange
	<b>WHT</b> – Reflective White painted finish with White Flange

For white painted flange, drop "PF" from Catalog #.  
For other finishes, consult reflector section.

## Optional Accessories

Hanger Bars (set of 2)

#101782 = #520 Caddy Bars	9152 = 52" C-Channel
#9127 = 27" C-Channel	27BH = 27" Solid Bar
#24CBH = 24" one-piece B-Line C-Channel hanger bar	

Fixture Type	Job Reference/Location
Lamp Type	Approval

All Pathway® products meet or exceed requirements as established by the National Electrical Code. Specifications subject to change without notice. Alzak® is a registered trademark of Alcoa.

**PATHWAY**  
the Lighting Source

Pathway Lighting Products, Inc., P.O. Box 591, Old Saybrook, CT 06475-0591  
voice 800.342.0592 • fax 800.207.0090 • www.pathwaylighting.com • e-mail: sales@pathwaylighting.com

*Coventry*  
Architectural Series

## SERIES 10HF3T Lensed 10" Aperture Horizontal Fluorescent 3 Lamp Enclosed Downlight

Series 10HF3T Lensed - 10" Aperture HF 3 Lamp Enclosed Downlight

FL29.01  
UCUBCN