

APPLICATION

For medium to high ceilings where wide distribution and lensed fixtures are desired.

PRODUCT DATA

REFLECTOR: Hydroformed heavy gauge aluminum reflector with self trimming flange, with or without aluminum **baffle**. Available in a wide range of finishes.

HOUSING: The mounting frame is fabricated 18 gauge steel and provides a solid structure for the optical and electrical components as well as a platform for decorative attachments. Standard plaster flange allows a one inch ceiling thickness. Custom depths are available.

MOUNTING: Adjustable height "C" channel mounting ears allow off center installation and accept a wide variety of hanger bars, see optional accessories. For sloped ceiling, consult special section of catalog.

ELECTRICAL: 120 to 277 volt input 50 to 60 Hz high power factor electronic ballasts are instant start, under 10% THD. Consult Technical Section for additional ballast operating data. Optional emergency ballast (-EM) operates one lamp for 90 minutes, faceplate with test switch and charger light. Integral push to test switch available. Contact factory for more information.

JUNCTION BOX: Heavy gauge galvanized junction box pre-wired to ballast with grounding pigtail. Easy access covers. Multiple conduit knockouts listed for through branch circuit wiring.

SOCKET: Positive latch four pin thermoplastic.

LAMP DATA:

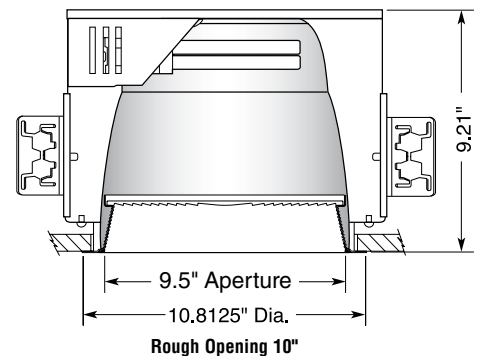
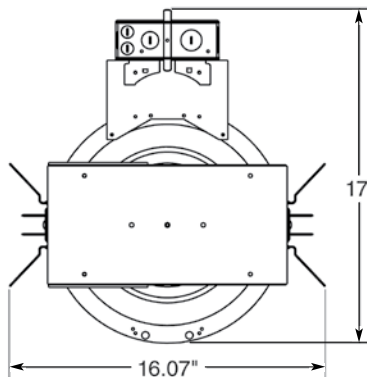
LAMP	WATTS	BASE	BALLAST	LUMENS
Quad Tube 4-Pin*	26	G24q-3	Elec.	1800
Triple Tube 4-Pin**	26	GX24q-3	Elec.	1800
	32	GX24q-3	Elec.	2400
	42	GX24q-4	Elec.	3200

*Standard lamping, initial lumens.

**Osram/Sylvania, initial lumens (delta/hex lamp).



For Wet Location Under Covered Ceiling *Manufactured and tested to UL#1598 and CSA standards. Fixtures are not designed for direct contact with insulation.*



Catalog Number – 10HF2 _____ /

AHFL10 _____

AHPL10 _____

Example: 10HF226QE4

Example: AHFL10SCLPF or AHPL10SCLPF

Fixture Series	Lamp/Wattage	Ballast/Voltage	Options
10HF	QTY. TYPE	E4 / Electronic 120/277 D1 / 120V Dimming D2 / 277 Dimming	EM – Emergency Battery Pack EMITS – Emergency Battery Pack with Integral Test Switch F – Fused
	2 26Q Quad		
	2 26T Triple		
	2 32T Triple		
	2 42T Triple		

Trim	Trim Finish w/polished flange
AHFL10	– Reflector with fresnel lens
AHPL10	– Reflector with prismatic lens
	SCLPF – Soft Specular Clear "Alzak" with Polished Flange
	WHT – Reflective White painted finish with White Flange
For white painted flange, drop "PF" from Catalog #. For other finishes, consult reflector section.	

Optional Accessories

Hanger Bars (set of 2)

#101782 = #520 Caddy Bars 9152 = 52" C-Channel
 #9127 = 27" C-Channel 27BH = 27" Solid Bar
 #24CBH = 24" one-piece B-Line C-Channel hanger bar

Fixture Type	Job Reference/Location
Lamp Type	Approval

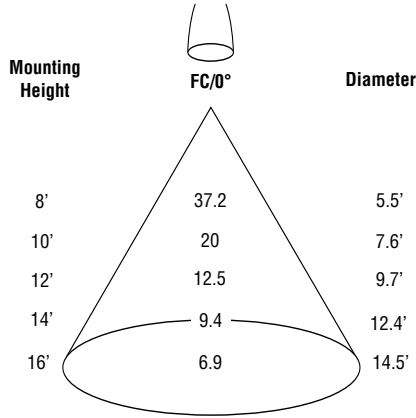
All Pathway® products meet or exceed requirements as established by the National Electrical Code. Specifications subject to change without notice. Alzak® is a registered trademark of Alcoa.



Pathway Lighting Products, Inc., P.O. Box 591, Old Saybrook, CT 06475-0591
 voice 800.342.0592 • fax 800.207.0090 • www.pathwaylighting.com • e-mail: sales@pathwaylighting.com

Series 10HF2 Enclosed - 10" Aperture Horizontal Fluorescent Enclosed Downlight

FL26.0
UCUBCN



EFFICIENCY: 48%
LAMP(S): 2-26W, 27K Osram Dulux
LUMENS: 3600

PLANE: 0°
SPACING RATIO: 1.0

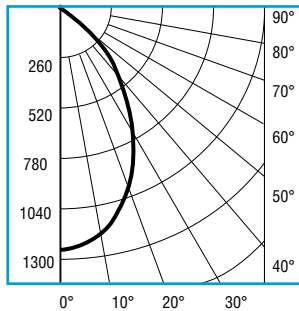
CANDELA DISTRIBUTION

DEGREES	C.P.	LUMENS
0	1126	
5	1124	107
15	1055	297
25	860	397
35	615	387
45	359	283
55	150	142
65	64	68
75	27	30
85	5	7
90	0	

ZONAL LUMENS SUMMARY

ZONE	LUMENS	%LAMP
0-30	798	22.22
0-40	1185	32.95
0-60	1610	44.73
0-90	1718	47.72
90-180	0	0.0
0-180	1718	47.72

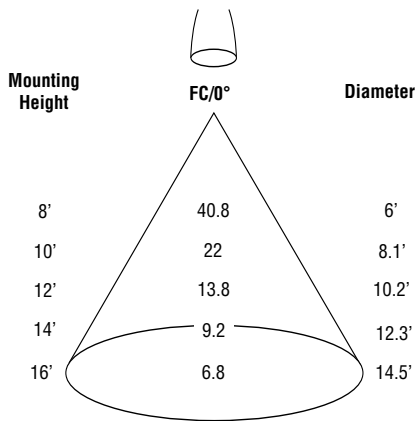
CD DISTRIBUTION



COEFFICIENTS OF UTILIZATION

PCC PW RCR	.8		.5		.3	
	.5	.3	.5	.3	.5	.3
1	51	50	49	48	47	45
2	47	45	44	44	42	41
3	44	41	41	40	41	39
4	41	38	39	37	38	36
5	38	34	36	34	35	33
6	35	30	33	31	33	30
7	32	29	30	28	30	28
8	29	26	29	26	28	26
9	27	24	26	24	26	23
10	25	21	25	21	24	23

Effective Floor Cavity Reflectance = .20



Catalog Number - 10HF226QE4 / AHPL10SCLPF

EFFICIENCY: 56%
Luminaire: Specular Clear Alzak Reflector w/Prismatic Lens
LAMP(S): 2-26W, 27K Osram Dulux
Reflector Diameter - 9.500"

PLANE: 0°
SPACING RATIO: 1.1
LUMENS: 3600

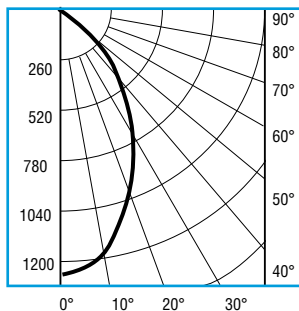
CANDELA DISTRIBUTION

DEGREES	C.P.	LUMENS
0	1235	
5	1230	117
15	1149	324
25	977	450
35	735	461
45	432	340
55	193	183
65	94	96
75	45	50
85	9	12
90	0	

ZONAL LUMENS SUMMARY

ZONE	LUMENS	%LAMP
0-30	895	24.86
0-40	1350	37.50
0-60	1872	52.00
0-90	2030	56.30
90-180	0	0.0
0-180	2030	56.30

CD DISTRIBUTION



COEFFICIENTS OF UTILIZATION

PCC PW RCR	.8		.5		.3	
	.5	.3	.5	.3	.5	.3
1	61	60	58	57	56	54
2	56	54	53	51	52	50
3	51	48	49	47	48	46
4	47	44	45	42	44	42
5	44	40	42	40	41	38
6	40	36	39	35	33	35
7	37	33	36	32	35	32
8	34	30	33	29	32	29
9	31	27	30	27	30	27
10	29	26	28	26	28	24

Effective Floor Cavity Reflectance = .20