

APPLICATION

For medium to high ceilings where wide distribution and lensed fixtures are desired and additional glare control is accomplished with splay baffles.

PRODUCT DATA

REFLECTOR: Hydroformed heavy gauge aluminum reflector with self trimming flange, with or without aluminum **baffle**. Available in a wide range of finishes.

HOUSING: The mounting frame is fabricated 18 gauge steel and provides a solid structure for the optical and electrical components as well as a platform for decorative attachments. Standard plaster flange allows a one inch ceiling thickness. Custom depths are available.

MOUNTING: Adjustable height "C" channel mounting ears allow off center installation and accept a wide variety of hanger bars, see optional accessories. For sloped ceiling, consult special section of catalog.

ELECTRICAL: 120 to 277 volt input 50 to 60 Hz high power factor electronic ballasts are instant start, under 10% THD. Consult Technical Section for additional ballast operating data. Optional emergency ballast (-EM) operates one lamp for 90 minutes, faceplate with test switch and charger light. Integral push to test switch available. Contact factory for more information.

JUNCTION BOX: Heavy gauge galvanized junction box pre-wired to ballast with grounding pigtail. Easy access covers. Multiple conduit knockouts listed for through branch circuit wiring.

SOCKET: Positive latch four pin thermoplastic.

LAMP DATA:

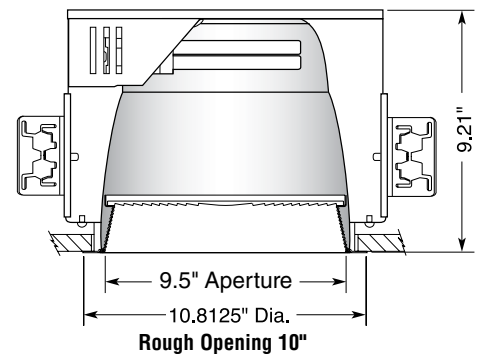
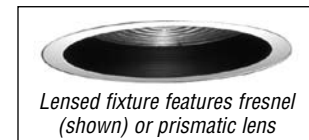
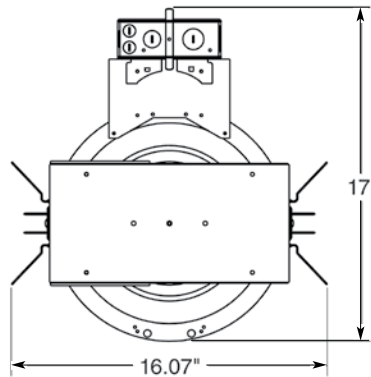
LAMP	WATTS	BASE	BALLAST	LUMENS
Quad Tube 4-Pin*	26	G24q-3	Elec.	1800
Triple Tube 4-Pin**	26	GX24q-3	Elec.	1800
	32	GX24q-3	Elec.	2400
	42	GX24q-4	Elec.	3200

*Standard lamings, initial lumens.

**Osram/Sylvania, initial lumens (delta/hex lamp).



For Wet Location Under Covered Ceiling
Manufactured and tested to UL#1598 and CSA standards.
Fixtures are not designed for direct contact with insulation.



Catalog Number – 10HF2 _____

Example: 10HF226QE4

Fixture Series	Lamp/Wattage	Ballast/Voltage	Options
10HF	QTY. TYPE	E4 / Electronic 120/277	EM – Emergency Battery Pack
	2 26Q Quad	D1 / 120V Dimming	EMITS – Emergency Battery Pack with Integral Test Switch
	2 26T Triple	D2 / 277 Dimming	F – Fused
	2 32T Triple	(13W dimming not available)	
	2 42T Triple		

Optional Accessories

Hanger Bars (set of 2)
 #101782 = #520 Caddy Bars 9152 = 52" C-Channel
 #9127 = 27" C-Channel 27BH = 27" Solid Bar
 #24CBH = 24" one-piece B-Line C-Channel hanger bar

Fixture Type	Job Reference/Location
Lamp Type	Approval

Coventry
Architectural Series

SERIES 10HF2 Enclosed

10" Horizontal Fluorescent Baffled Enclosed Downlight

/ ABHFL10
ABHPL10

Example: ABHFL10SCL/BL or ABHPL10SGO/BL

Trim	Trim Finish w/polished flange
ABHFL10	Reflector with fresnel lens & baffle
ABHPL10	Reflector with prismatic lens & baffle
SCL/BL	Soft Specular Clear "Alzak" with White Flange & Black Baffle
SCL/WH	Soft Specular Clear "Alzak" w/White Flange & White Baffle
WH/WH	Reflective White painted finish w/White Flange & White Baffle

For white painted flange, drop "PF" from Catalog #.
For other finishes, consult reflector section.

All Pathway® products meet or exceed requirements as established by the National Electrical Code. Specifications subject to change without notice. Alzak® is a registered trademark of Alcoa.

PATHWAY
the Lighting Source

Pathway Lighting Products, Inc., P.O. Box 591, Old Saybrook, CT 06475-0591
voice 800.342.0592 • fax 800.207.0090 • www.pathwaylighting.com • e-mail: sales@pathwaylighting.com

Series 10HF2 Enclosed - 10" Aperture HF Enclosed Baffled Downlight

FL27.0
UCUBCN