

APPLICATION

A wide distribution lensed downlight for medium to high ceiling applications.

PRODUCT DATA

REFLECTOR TRIM: Heavy gauge spun aluminum reflector with Alzak finish. Self trimming flanged splay with **fresnel** or **prismatic** lens. Available in a wide range of finishes.

HOUSING: Mounting frame made from 16 gauge electrozinc plated steel. Extruded aluminum heat sink socket cup. Heavy gauge steel plaster ring.

MOUNTING: Adjustable height "C" channel mounting ears allow off center installation and accept a variety of hanger bars (see optional accessories).

ELECTRICAL: Standard fixture is 120 volt A.C. rated for 300W maximum. Optional 277V input with step down transformer mounted to "J" box cover, protrudes 4", thermally protected U.L. recognized component.

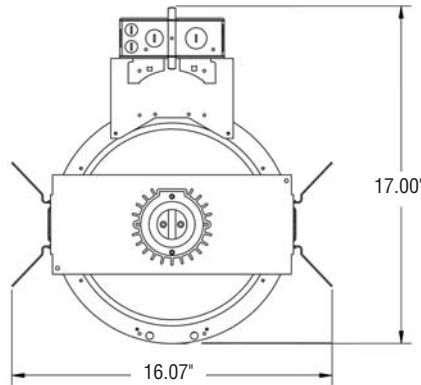
JUNCTION BOX: Junction box prewired, grounded, easy access and listed for through branch circuit wiring. Thermal cutout provided.

SOCKET: Medium base porcelain with nickel plated screw shell.

LAMP DATA: PS25, 300 watts maximum, A23, 200 watts maximum.

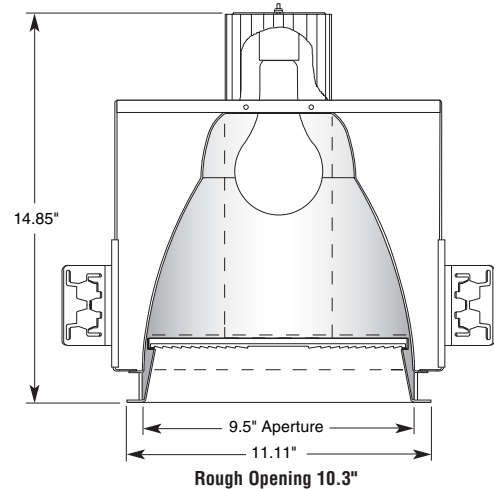
Coventry
Architectural Series

SERIES 10VI Enclosed 10" Aperture
PS25/A23 Incandescent Enclosed Downlight



For Damp Location

Manufactured and tested to UL#1598 and CSA standards.
Note: Suitable for damp location.
Fixtures are not designed for direct contact with insulation.



Catalog Number – 10VI _____

/ AFLHR10 _____

APLHR10 _____

Example: 10VIA23

Example: AFLHR81SCLPF

Fixture Series	Lamp/Wattage	Type / Voltage	Options
10VI Frame-In Kit	PS25 (300 Max) A23 (200 Max)	120 V Standard	See Options Below

Reflector	Reflector Finish
AFLHR10 – Reflector with fresnel lens APLHR10 – Reflector with prismatic lens SCLPF – Specular Clear "Alzak" w/ Polished Flange WHT – Reflective White painted finish with White Flange	
For white painted flange, drop "PF" from Catalog #. For other finishes, consult reflector section.	

Optional Accessories

Hanger Bars (set of 2)

#101782 = #520 Caddy Bars 9152 = 52" C-Channel
#9127 = 27" C-Channel 27BH = 27" Solid Bar
#24CBH = 24" one-piece B-Line C-Channel hanger bar

Fixture Type	Job Reference/Location
Lamp Type	Approval

Options

– 277 = 277V / 120V Auto Transformer
– F = Fuse and Fuse Holder

All Pathway® products meet or exceed requirements as established by the National Electrical Code. Specifications subject to change without notice. Alzak® is a registered trademark of Alcoa.

PATHWAY
the Lighting Source

Pathway Lighting Products, Inc., P.O. Box 591, Old Saybrook, CT 06475-0591
voice 800.342.0592 • fax 800.207.0090 • www.pathwaylighting.com • e-mail: sales@pathwaylighting.com

SERIES 10VI Enclosed - 10" Aperture PS25 / A23 Incandescent Enclosed Downlight

IN17.0
CDBCCA