

APPLICATION

A wide distribution lensed downlight for medium to high ceiling applications.

PRODUCT DATA

REFLECTOR TRIM: Heavy gauge spun aluminum reflector with Alzak finish. Self trimming flanged splay with **fresnel** or **prismatic** lens, with or without **baffle**. Available in a wide range of finishes.

HOUSING: Extruded aluminum heat sink socket cup. Heavy gauge steel plaster ring.

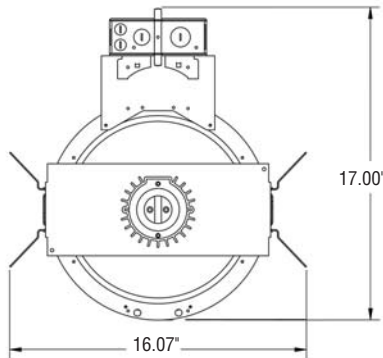
MOUNTING: Mounting frame made from 16 gauge electrozinc plated steel, adjustable height "C" channel mounting ears allow off center installation.

ELECTRICAL: Standard fixture is 120 volt A.C. rated for 300W maximum. Optional 277V input with step down transformer mounted to "J" box cover, protrudes 4", thermally protected U.L. recognized component.

JUNCTION BOX: Heavy gauge galvanized junction box pre-wired with grounding pigtail. Easy access covers. Multiple conduit knockouts listed for through branch circuit wiring. Thermal cutout provided.

SOCKET: Medium base porcelain socket with nickel plated brass screw shell.

LAMP DATA: PS25, 300 watts maximum, A23, 200 watts maximum.

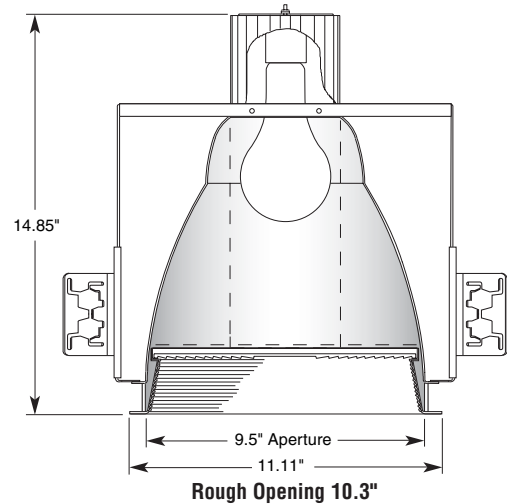


Manufactured and tested to UL#1598 and CSA standards.
Note: Suitable for damp location.

For Damp Location Fixtures are not designed for direct contact with insulation.



SERIES 10VI Enclosed 10" Aperture PS25/A23 Incandescent Baffled Enclosed Downlight



Catalog Number – 10VI _____

Example: 10VIA23

Fixture Series	Lamp/Wattage	Type / Voltage	Options
10VI Frame-In Kit	PS25 (300W Max) A23 (200W Max)	120 V Standard	See Options Below

Optional Accessories

Hanger Bars (set of 2)

#101782 = #520 Caddy Bars 9152 = 52" C-Channel
#9127 = 27" C-Channel 27BH = 27" Solid Bar
#24CBH = 24" one-piece B-Line C-Channel hanger bar

Fixture Type	Job Reference/Location
Lamp Type	Approval

/ ABFLHR10 _____
ABPLHR10 _____

Example: ABFLHR10SCL/BL

Reflector	Reflector Finish
ABFLHR10 – Reflector with fresnel lens & baffle ABPLHR10 – Reflector with prismatic lens & baffle	SCL/BL – Specular Clear "Alzak" w/Black Baffle SCL/WH – Specular Clear "Alzak" w/White Baffle WH/WH – Reflective White painted finish with White Flange & White Baffle
For white painted flange, drop "PF" from Catalog #. For other finishes, consult reflector section.	

Options

– 277 = 277V / 120V Auto Transformer
– F = Fuse and Fuse Holder

All Pathway® products meet or exceed requirements as established by the National Electrical Code. Specifications subject to change without notice. Alzak® is a registered trademark of Alcoa.



Pathway Lighting Products, Inc., P.O. Box 591, Old Saybrook, CT 06475-0591
voice 800.342.0592 • fax 800.207.0090 • www.pathwaylighting.com • e-mail: sales@pathwaylighting.com

SERIES 10VI Enclosed - 10" Aperture PS25 / A23 Incandescent Baffled Enclosed Downlight