

## APPLICATION

Designed for uniform illumination in medium to high ceiling applications, where increased light levels are required.

## PRODUCT DATA

**REFLECTOR TRIM:** Heavy gauge spun aluminum reflector with Alzak finish and self trimming flange with or without baffle. Available in a wide range of finishes.

**HOUSING:** Mounting frame made from 16 gauge electrozinc plated steel. Extruded aluminum heat sink socket cup. Heavy gauge steel plaster ring.

**MOUNTING:** Adjustable height "C" channel mounting ears allow off center installation and accept a variety of hanger bars (see optional accessories).

**ELECTRICAL:** Standard fixture is 120 volt A.C. rated for 300W maximum. Optional 277V input with step down transformer mounted to "J" box cover, protrudes 4", thermally protected U.L. recognized component.

**JUNCTION BOX:** Heavy gauge galvanized junction box pre-wired with grounding pigtail. Easy access covers. Multiple conduit knockouts listed for through branch circuit wiring. Thermal cutout provided.

**SOCKET:** Medium base porcelain socket with nickel plated brass screw shell.

**LAMP DATA:** PS25, 300 watts maximum or A23, 200 watts maximum.

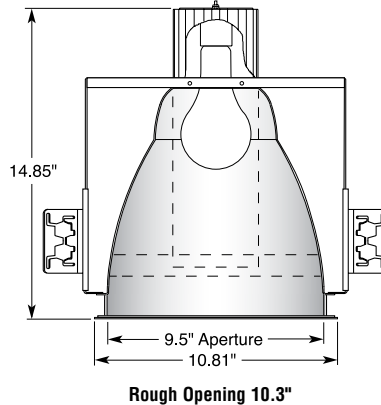
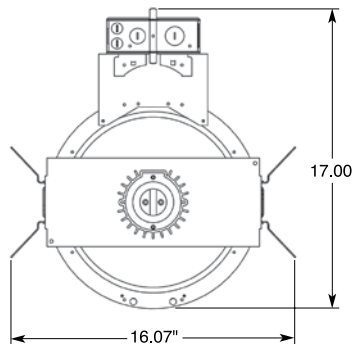


For Damp Location

Manufactured and tested to UL#1598 and CSA standards.

Note: Suitable for damp location.

Fixtures are not designed for direct contact with insulation.



Catalog #: **10VI** [ ] [ ] [ ] /

Example: 10VIA23

Fixture Series	Lamp/Wattage	Type / Voltage	Options
10VI Frame-In Kit	PS25 (300 Max)  A23 (200 Max)	120 V Standard	See Options Below

### Optional Accessories

Hanger Bars (set of 2)

- 101782 = #520 Caddy Bars       9152 = 52" C-Channel  
 9127 = 27" C-Channel       27BH = 27" Solid Bar

Fixture:	Type:
Project:	

# Coventry

Architectural Series

**SERIES 10VI Open 10" Aperture**  
PS25/A23 Incandescent Open Downlight / Baffled

**AHR10** [ ] [ ] [ ]

**ABHR10** [ ] [ ] [ ]  
Example: AHR10SCLPF

Reflector	Reflector Finish
<b>AHR10</b>	– Reflector
<b>ABHR10SCL/BL</b>	– Reflector w/ Black Baffle & White Flange
<b>ABHR10SCL/WH</b>	– Reflector w/ White Baffle & White Flange
<b>SCLPF</b>	– Soft Specular Clear "Alzak"
<b>WHT</b>	– Reflective White painted finish with White Flange

For white painted flange, drop "PF" from Catalog #.  
For other finishes, consult reflector section.

### Options

- 277 = 277V/120V Auto Transformer  
 F = Fuse and Fuse Holder

All Pathway® products meet or exceed requirements as established by the National Electrical Code. Specifications subject to change without notice. Alzak® is a registered trademark of Alcoa.

**PATHWAY**  
the Lighting Source

Pathway Lighting Products, Inc., P.O. Box 591, Old Saybrook, CT 06475-0591  
 voice 800.342.0592 • fax 800.207.0090 • www.pathwaylighting.com • e-mail: sales@pathwaylighting.com

SERIES 10VI Open - 10" Aperture PS25 / A23 Incandescent Open Downlight / Baffled

IN16.0  
UCCBUB

## SERIES 10VI Open - 10" Aperture PS25/A23 Incandescent Open Downlight / 10" Aperture PS25/A23 Incandescent Open Baffled Downlight

<b>Catalog Number</b>	- 10VI/AHR10SCL/BL	10VI/ABHR10SCL/BL
<b>Luminaire</b>	- Specular Clear Alzak Reflector	Specular Clear Alzak Reflector with Black Baffle
<b>Reflector Diameter</b>	- 10.000"	9.375"
<b>Lamp(s)</b>	- One 200W PS25	One 200W PS25
<b>Report Number</b>	- TLS150697	TLS160697

### 10VI/AHR10SCL/BL - PHOTOMETRIC DOWNLIGHT DISTRIBUTION

#### CANDELA DISTRIBUTION

DEGREES	CANDELA
0	3095
5	3108
15	3525
25	2675
35	530
45	39
55	11
65	1
75	0
85	0

#### ZONAL LUMENS SUMMARY

ZONE	LUMENS	%LAMP
0-30	2525	66.2
0-40	2865	74.8
0-60	2906	75.9
0-90	2909	76.0
90-180	0	0.0
0-180	2909	76.0

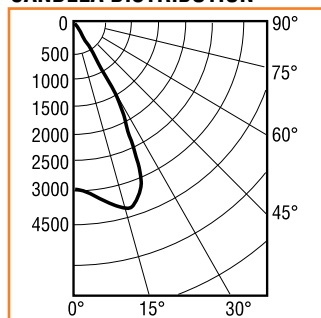
**Note:** Data calculated using clear specular reflector. Results may vary due to lamp variations, as well as ambient temperature and electrical input variance. Data shown as initial footcandles without contribution from redirected light or other sources.

PHOTOMETRIC DATA, available on CD in IES format, please contact factory.

EFF. = 76%

Spacing Ratio: 1.0 Lumens: 3700

#### CANDELA DISTRIBUTION



#### COEFFICIENTS OF UTILIZATION

RC	80		50		30		0
	50	30	50	30	50	30	0
1	85	83	80	79	77	77	72
2	81	79	77	76	75	74	70
3	78	75	74	72	73	71	67
4	74	71	72	69	70	68	65
5	71	67	69	66	68	65	62
6	68	65	66	64	65	63	60
7	65	62	64	61	63	60	57
8	62	59	61	58	60	58	55
9	59	56	58	55	58	55	52
10	57	54	55	53	55	53	50

**Reflector Multiplier(s):**  
 Specular Gold Alzak x .96.,  
 Specular Pewter Alzak x .90.,  
 Black Alzak x .35

Effective Floor Cavity Reflectance = .20

### 10VI/ABHR10SCL/BL - PHOTOMETRIC DOWNLIGHT DISTRIBUTION

#### CANDELA DISTRIBUTION

DEGREES	CANDELA
0	3456
5	3458
15	3325
25	1698
35	255
45	15
55	2
65	1
75	1
85	1

#### ZONAL LUMENS SUMMARY

ZONE	LUMENS	%LAMP
0-30	2056	55.6
0-40	2236	60.4
0-60	2253	60.9
0-90	2256	61.0
90-180	0	0.0
0-180	2256	61.0

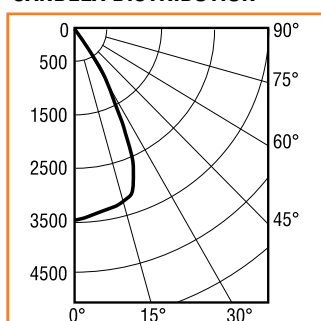
**Note:** Data calculated using clear specular reflector. Results may vary due to lamp variations, as well as ambient temperature and electrical input variance. Data shown as initial footcandles without contribution from redirected light or other sources.

PHOTOMETRIC DATA, available on CD in IES format, please contact factory.

EFF. = 65%

Spacing Ratio: .82 Lumens: 3700

#### CANDELA DISTRIBUTION



#### COEFFICIENTS OF UTILIZATION

RC	80		50		30		0
	50	30	50	30	50	30	0
1	67	66	63	62	61	60	57
2	64	62	61	60	59	58	56
3	61	59	59	58	58	57	54
4	59	57	57	56	56	55	53
5	57	55	56	54	55	53	51
6	55	53	54	52	53	51	49
7	53	51	52	50	52	50	48
8	51	49	51	49	50	48	46
9	50	47	49	47	49	46	45
10	48	46	48	45	47	45	43

**Reflector Multiplier(s):**  
 Specular Gold Alzak x .96.,  
 Specular Pewter Alzak x .90.,  
 Black Alzak x .35

Effective Floor Cavity Reflectance = .20