

APPLICATION

Medium distribution downlights for use in low to medium height ceilings requiring regressed lensed trims with splay.

PRODUCT DATA

REFLECTOR: Hydroformed heavy gauge aluminum reflector with Alzak finish. Self trimming flanged splay with **fresnel** or **prismatic** lens. Available in a wide range of finishes. Optional tamperproof feature (TP) prevents unauthorized access to fixture.

HOUSING: The mounting frame is heavy gauge steel and provides a solid structure for the optical and electrical components as well as a platform for decorative attachments. Standard plaster flange allows a one inch ceiling thickness. Custom depths are available.

MOUNTING: Universal mounting brackets adjust vertically 2.5" and accept a variety of hanger bars, C-Channel, EMT or rigid bars (see optional accessories). For slope ceiling consult special section of catalog.

ELECTRICAL: 120 to 277 volt input 50 to 60 Hz high power factor electronic ballasts are programmed start, under 10% THD. Consult Technical Section for additional ballast operating data. Optional emergency ballast (-EM) operates one lamp for 90 minutes, faceplate with test switch and charger light. Contact factory for more information.

JUNCTION BOX: Heavy gauge galvanized junction box pre-wired with grounding pigtail. Easy access covers. Multiple conduit knockouts listed for through branch circuit wiring.

SOCKET: Positive latch four pin thermoplastic. 26, 32 and 42 watt models feature a twist lock socket. 13 and 18 watt models feature a push in socket. Triple tube models have field adjustable socket position to allow conversion to alternate wattage.

LAMP DATA:

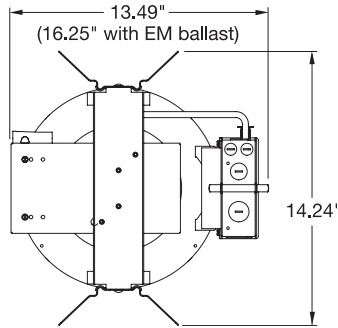
LAMP	WATTS	BASE	BALLAST	LUMENS
Triple Tube 4-Pin	26	GX24q-3	Elec.	1800
	32	GX24q-3	Elec.	2400
	42	GX24q-4	Elec.	3200
Quad Tube 4-Pin	13	G24q-1	Elec.	900
	18	G24q-2	Elec.	1250
	26	G24q-3	Elec.	1800

Standard lamping, initial lumens.



Intertek
For Wet Location
Under Covered Ceiling

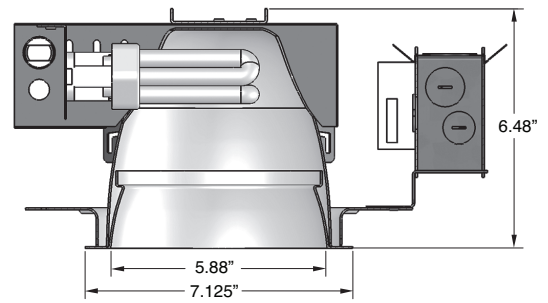
Manufactured and tested to UL# 1000 and 1001 standards.
Note: Suitable for damp location and wet location under covered ceiling.



SERIES 6HF Lensed Horizontal Fluorescent Lensed Downlight



Tamperproof option available



Rough Opening 6.75"

Catalog #:

6HF1

Example: 6HF132TE4

Fixture Series	Lamp/Wattage	Ballast/Voltage*	Options
6HF	QTY TYPE	E4 / Electronic 120/277 D1 / 120V Lutron Dimming* D2 / 277V Lutron Dimming* (13W dimming not available) *Refer to separate page for dimming ballast specifications and availability of other styles.	See Below
	(Triple Tube)		
	1 26T		
	1 32T		
	1 42T		
	(Quad Tube)		
1 or 2 13Q			
1 or 2 18Q			
1 or 2 26Q			

Optional Accessories

Hanger Bars (set of 2)

- 101782 = #520 Caddy Bars
- 9152 = 52" C-Channel
- 9127 = 27" C-Channel
- 27BH = 27" Solid Bar
- 24CBH = 24" one-piece B-Line C-Channel hanger bar
- 26UBH = interlocking hanger bars expand to 26"

Fixture:		Type:	
Project:			

6HF1FL

Example: 6HF1FLSCLPF

Trim	Trim Finish w/polished flange
6HF1	- One Lamp Reflector
6HF2	- Two Lamp Reflector
FL	- Fresnel Glass Lens
C73	- Corning C73 Prismatic Lens
CAL	- Clear Acrylic Lens
CL	- Clear Glass Lens
PL	- Acrylic Pattern 12 Prismatic Lens
FOL	- Frosted Acrylic Lens
SCLPF - Soft Specular Clear Alzak	
For white painted flange, drop "PF" from Catalog #. For other finishes, consult reflector section.	

Options

- EM = Emergency Battery Pack w/remotely located Test Switch
- F = Fused
- TP = Tamperproof
- WL = Gasketed for Wet Location

All Pathway® products meet or exceed requirements as established by the National Electrical Code. Specifications subject to change without notice. Alzak® is a registered trademark of Alcoa.



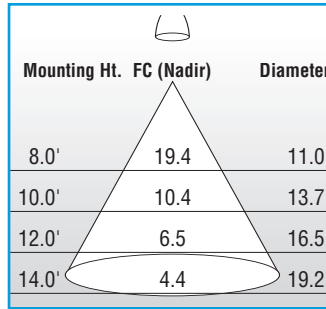
Pathway Lighting Products, Inc., P.O. Box 591, Old Saybrook, CT 06475-0591
voice 800.342.0592 • fax 800.207.0090 • www.pathwaylighting.com • e-mail: sales@pathwaylighting.com

Series 6HF Lensed - Horizontal Fluorescent Lensed Downlight

PHOTOMETRIC DOWNLIGHT DISTRIBUTION

Catalog No. – 6HF132TE4 / 6HF1PLSCLPF
Lamp(s) – (1) 32W PLT
Lumens – 2400
Spacing Criteria – 1.15
Efficiency – 38.4%

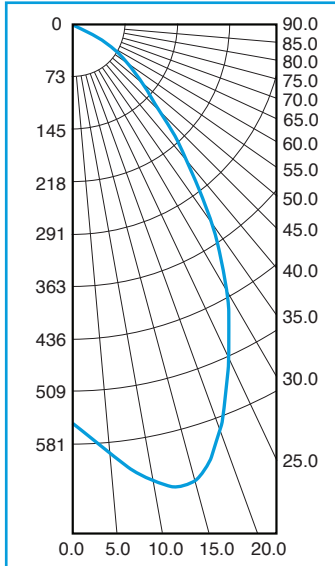
CONE OF LIGHT



ZONAL LUMENS SUMMARY

ZONE	LUMENS	% LAMP	% LUMINAIRE
0- 30	474	19.7	51.4
0- 40	680	28.3	73.8
0- 60	891	37.1	96.6
0- 90	922	38.4	100.0
90-120	0	0.0	0.0
90-130	0	0.0	0.0
90-150	0	0.0	0.0
90-180	0	0.0	0.0
0-180	922	38.4	100.0

CANDELA DISTRIBUTION



CANDELA

VERTICAL ANGLE	0
0.00	553
5.00	598
10.00	644
15.00	654
20.00	598
25.00	513
30.00	429
35.00	332
40.00	240
45.00	167
50.00	122
55.00	85.9
60.00	54.8
65.00	25.8
70.00	9.09
75.00	0.740
80.00	0.210
85.00	0.070
90.00	0.010

Initial Footcandles at a 30" Work Plane
 Beam diameter calculated at 50% of maximum fc at nadir.

COEFFICIENTS OF UTILIZATION

PCC	.8				.7				.5				.3				.1				0
PW	.7	.5	.3	.1	.7	.5	.3	.1	.5	.3	.1	.5	.3	.1	.5	.3	.1	.5	.3	.1	0
RCR																					
0	45	45	45	45	44	44	44	44	42	42	42	40	40	40	39	39	39	38	38	38	
1	43	41	40	39	42	41	40	39	39	38	37	38	37	36	36	35	35	35	35	35	
2	40	38	36	34	39	37	35	34	36	34	33	35	33	32	34	33	32	31	31	31	
3	37	34	32	30	37	34	32	30	33	31	30	32	30	29	31	30	29	28	28	28	
4	35	32	29	27	34	31	29	27	30	28	27	29	28	26	29	27	26	25	25	25	
5	33	29	26	24	32	29	26	24	28	26	24	27	25	24	26	25	23	23	23	23	
6	31	27	24	22	30	26	24	22	26	23	22	25	23	22	25	23	21	21	21	21	
7	29	25	22	20	28	24	22	20	24	22	20	23	21	20	23	21	20	19	19	19	
8	27	23	20	18	27	23	20	18	22	20	18	22	20	18	21	19	18	17	17	17	
9	26	21	19	17	25	21	19	17	21	18	17	20	18	17	20	18	17	16	16	16	
10	24	20	17	16	24	20	17	16	19	17	15	19	17	15	19	17	15	15	15	15	

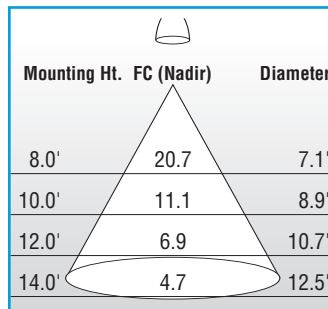
AVERAGE LUMINANCE

Angle	CD/M ²
45°	12962
55°	8208
65°	3349
75°	156
85°	44

PFC = 0.20

Catalog No. – 6HF132TE4 / 6HF1FLSCLPF
Lamp(s) – (1) 32W PLT
Lumens – 2400
Spacing Criteria – .84
Efficiency – 39.9%

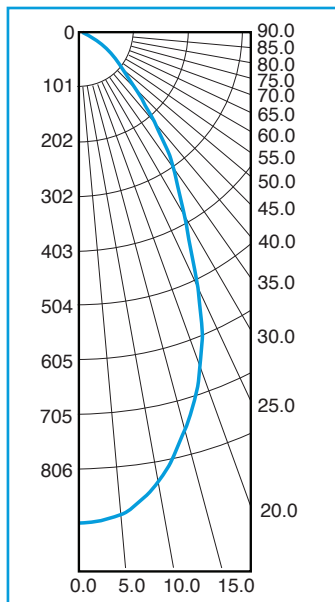
CONE OF LIGHT



ZONAL LUMENS SUMMARY

ZONE	LUMENS	% LAMP	% LUMINAIRE
0- 30	531	22.1	55.4
0- 40	720	30.0	75.1
0- 60	916	38.2	95.6
0- 90	959	39.9	100.0
90-120	0	0.0	0.0
90-130	0	0.0	0.0
90-150	0	0.0	0.0
90-180	0	0.0	0.0
0-180	959	39.9	100.0

CANDELA DISTRIBUTION



CANDELA

VERTICAL ANGLE	0
0.00	907
5.00	894
10.00	845
15.00	758
20.00	659
25.00	521
30.00	388
35.00	306
40.00	220
45.00	151
50.00	107
55.00	84.6
60.00	63.8
65.00	37.1
70.00	15.3
75.00	1.23
80.00	0.200
85.00	0.070
90.00	0.000

Initial Footcandles at a 30" Work Plane
 Beam diameter calculated at 50% of maximum fc at nadir.

COEFFICIENTS OF UTILIZATION

PCC	.8				.7				.5				.3				.1				0
PW	.7	.5	.3	.1	.7	.5	.3	.1	.5	.3	.1	.5	.3	.1	.5	.3	.1	.5	.3	.1	0
RCR																					
0	47	47	47	47	46	46	46	46	44	44	44	42	42	42	40	40	40	40	40	40	
1	45	43	42	41	44	43	42	41	41	40	39	39	39	38	38	37	37	36	36	36	
2	42	40	38	36	41	39	37	36	38	36	35	36	35	34	35	34	33	33	33	33	
3	39	36	34	32	39	36	34	32	35	33	31	34	32	31	33	31	30	30	30	30	
4	37	33	31	29	36	33	31	29	32	30	28	31	29	28	30	29	28	27	27	27	
5	35	31	28	26	34	30	28	26	30	27	26	29	27	25	28	27	25	25	25	25	
6	33	29	26	24	32	28	26	24	28	25	24	27	25	23	26	25	23	23	23	23	
7	31	27	24	22	30	26	24	22	26	23	22	25	23	21	25	23	21	21	21	21	
8	29	25	22	20	29	24	22	20	24	22	20	24	21	20	23	21	20	19	19	19	
9	27	23	20	19	27	23	20	19	23	20	19	22	20	18	22	20	18	18	18	18	
10	26	22	19	17	26	22	19	17	21	19	17	21	19	17	21	19	17	17	17	17	

AVERAGE LUMINANCE

Angle	CD/M ²
45°	11671
55°	8087
65°	4814
75°	260
85°	44

PFC = 0.20