

APPLICATION

Light-Squares™ recessed downlights are ideal for low to medium height ceilings where an architecturally pleasing square aperture is desired. Adjustable PAR30 downlight provides directional accent lighting in stores, museums, offices, and residential homes. Also suitable for sloped ceiling applications.

PRODUCT DATA

REFLECTOR: The PAR30 square aperture adjustable downlight features a 359° horizontal and 45° vertical adjustment. The dual locking mechanism insures that the fixture stays aimed after being relamped. Heavy gauge spring clips maintain a tight fit to ceiling to eliminate light leaks and facilitate easy installation. A one half inch low profile, polished overlap flange is standard. Die formed flange cover eliminates appearance of mitered corners. Available in a variety of matte Alzak® finishes as well as a corrugated textured style (CRG).

HOUSING: A fabricated 18 gauge steel housing is powder coated matte black and provides a secure mounting platform for the electrical components and protects the optical assembly. Top cover is removable for top relamping. The standard plaster flange allows for one inch ceiling thickness with custom depths available. Housing is painted flat black.

MOUNTING: Universal mounting brackets adjust vertically 5.5" and accepts a variety of hanger bars, C-channel, EMT or rigid bars (see options).

ELECTRICAL: Standard fixture is 120 VAC, rated for 75 Watts. Optional 277V input with step down transformer mounted to "J" box cover, protrudes 4", thermally protected U.L. recognized component.

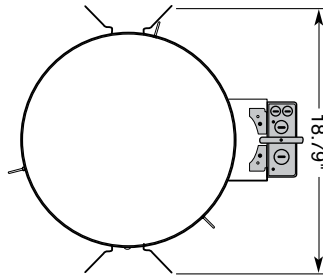
JUNCTION BOX: Heavy gauge galvanized junction box pre-wired to ballast with grounding pigtail. Easy access snap on covers. Multiple conduit knockouts listed for through branch circuit wiring. Thermal cutout provided.

SOCKET: Medium base porcelain with nickel plated brass screw shell.

LAMP DATA: PAR30 halogen, medium base. Consult the lamp manufacturers for the most current data pertaining to the lamp.

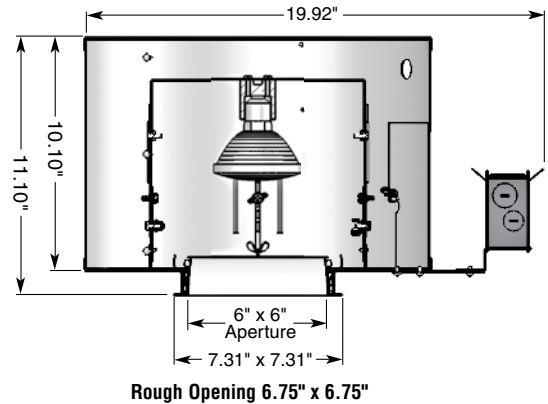
Lamp	Lumens	Life Hrs.
50W PAR30*	600	2500
60W PAR30*	830	2500
75W PAR30*	1100	2500

*Osram Sylvania tungsten halogen capsylite lamps.
Note: Many different types, wattages and beam spreads are available.



SERIES 6SQAIP30 6" Square Aperture Adjustable Downlight PAR30 Halogen

LIGHT-SQUARES™



Manufactured and tested to UL#1598 and CSA standards.
Note: Suitable for damp location.
Fixtures are not designed for direct contact with insulation.

Catalog Number – 6SQAIP30

Example: 6SQAIP30

Fixture Series	Lamp/Wattage	Ballast/Voltage	Options
6SQA	P30 Long Neck P30S Short Neck (75W max.)	120 V Standard	See Options Below

Optional Accessories

Hanger Bars (set of 2)

- #101782 = #520 Caddy Bars
- #9127 = 27" C-Channel
- #9152 = 52" C-Channel
- #27BH = 27" Solid Bar

Fixture Type	Job Reference/Location
Lamp Type	Approval

/ 6SQA

Example: 6SQAHAZPF

Trim	Trim Finish w/polished flange
6SQA	PAR30 Cut Cone
	HAZPF – Matte Haze Alzak
	CRG – Clear Corrugated Texture
For white painted flange, drop "PF" from Catalog #. For other finishes, consult reflector section.	

Options

- # – 277 = 277V / 120V Auto Transformer
- # – F = Fuse and Fuse Holder

All Pathway® products meet or exceed requirements as established by the National Electrical Code. Specifications subject to change without notice. Alzak® is a registered trademark of Alcoa.



Pathway Lighting Products, Inc., P.O. Box 591, Old Saybrook, CT 06475-0591
voice 800.342.0592 • fax 800.207.0090 • www.pathwaylighting.com • e-mail: sales@pathwaylighting.com

Series 6SQAIP30 - 6" Square Aperture Adjustable Downlight PAR30 Halogen

SQ18.0
UMUBCA