

APPLICATION

Shallow depth downlight for applications with minimal plenum depth. Reflector optical system is highly efficient and produces uniform distribution while minimizing brightness.

PRODUCT DATA

REFLECTOR: One-piece reflector optics provide high efficiency, low brightness, and excellent cut-off to the lamp image. Reflectors are available in specular or matte finish, as well as a variety of standard and special finishes. Parabolic cross baffle is an available option. A one-half inch low profile, overlap flange is standard.

HOUSING: Designed for shallow plenums, the frame-in module is fabricated from heavy gauge die formed steel and features a corrosion resistant galvanized finish. Standard plaster flange allows for a 1/2" ceiling thickness.

MOUNTING: Housing is supplied standard with expandable bar hangers which adjust from 14 1/2" to 26". Provision is provided for all four sides of frame-in module to accept bar hangers. Optional mounting brackets (BB) adjust vertically 2.5" and accept a variety of hanger bars, C-Channel, EMT or rigid bars (see optional accessories).

ELECTRICAL: 120 to 277 volt input 50 to 60 Hz high power factor electronic ballasts are instant start, under 10% THD. Consult Technical Section for additional ballast operating data. *Optional emergency ballast (-EM) operates one lamp for 90 minutes, faceplate with test switch and charger light. Integral push to test switch available. See options below.

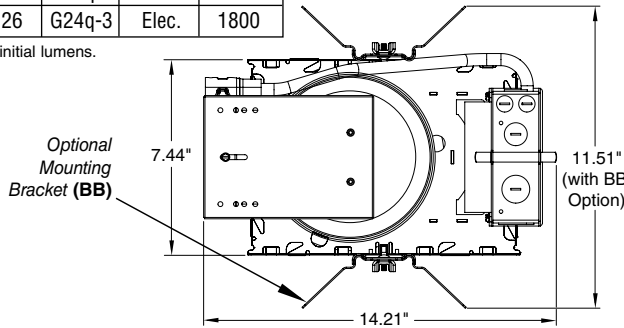
JUNCTION BOX: Heavy gauge galvanized junction box pre-wired with grounding pigtail. Easy access covers. Multiple conduit knockouts listed for through branch circuit wiring.

SOCKET: Positive latch four pin thermoplastic. 26 watt model features a twist lock socket. 13 and 18 watt models feature a push in socket.

LAMP DATA:

LAMP	WATTS	BASE	BALLAST	LUMENS
Quad Tube 4-Pin	13	G24q-1	Elec.	900
	18	G24q-2	Elec.	1250
	26	G24q-3	Elec.	1800

Standard lamping, initial lumens.



Listed

For Wet Location
Under Covered Ceiling

Manufactured and tested to UL#1598 and CSA standards.

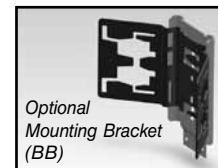
Note: Suitable for damp location and wet location under covered ceiling.

LEGENDS Plus

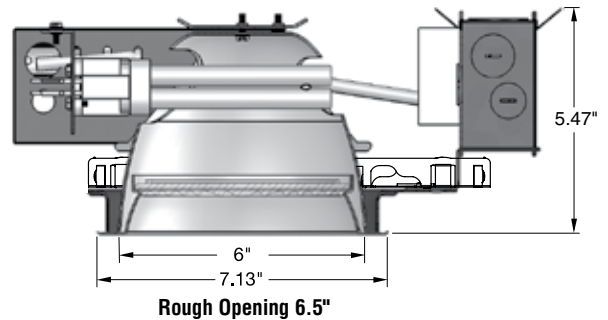
Affordable Performance

SERIES 6LP SHF2 SHALLOW DEPTH

Lensed Downlight Two Lamp Compact Fluorescent



Optional
Mounting Bracket
(BB)



Catalog Number – 6LP SHF2

Example: 6LP SHF226QE4

Fixture Series	Lamp/Wattage	Ballast/Voltage*	Options
6LP SHF	QTY	E4 / Electronic 120/277	See Below
	TYPE	D1 / 120V Lutron Dimming*	
	2 13Q Quad	D2 / 277V Lutron Dimming*	
	2 18Q Quad	*Refer to separate page for dimming ballast specifications and availability of other styles.	
	2 26Q Quad		

Optional Accessories

Hanger Bars (set of 2) – Requires optional "BB" mounting bracket to be specified.

#101782 = #520 Caddy Bars 9152 = 52" C-Channel
 #9127 = 27" C-Channel 27BH = 27" Solid Bar
 #24CBH = 24" one-piece B-Line C-Channel hanger bar

Fixture Type	Job Reference/Location
Lamp Type	Approval

6SHF

Example: 6SHF2FLSCLPF

Trim	Trim Finish w/polished flange
6SHF2FL	– Fresnel Glass Lens
6SHF2PL	– Prismatic Lens
6SHF2C73	– Corning C73 Prismatic Lens
6SHF2CAL	– Clear Acrylic Lens
6SHF2CL	– Clear Glass Lens
	SCLPF – Soft Specular Clear Alzak

For white painted flange, drop "PF" from Catalog #.
 For other finishes, consult reflector section.

Options

EM* = Emergency Battery Pack w/remotely located Test Switch
 EMITS* = Emergency Battery Pack with Integral Test Switch installed in reflector
 F = Fused
 BB = Vertically Adjustable Mounting Bracket

All Pathway® products meet or exceed requirements as established by the National Electrical Code. Specifications subject to change without notice. Alzak® is a registered trademark of Alcoa.

PATHWAY
the Lighting Source

Pathway Lighting Products, Inc., P.O. Box 591, Old Saybrook, CT 06475-0591
 voice 800.342.0592 • fax 800.207.0090 • www.pathwaylighting.com • e-mail: sales@pathwaylighting.com

Series 6LP SHF2 SHALLOW DEPTH - Lensed Downlight Two Lamp Compact Fluorescent

LP9.5
CNUCED