

APPLICATION

Shallow depth downlight for applications with minimal plenum depth. Reflector optical systems are highly efficient and produce uniform distribution while minimizing brightness.

PRODUCT DATA

REFLECTOR: One-piece reflector optics provide high efficiency, low brightness, and excellent cut-off to the lamp image. Reflectors are available in specular or matte finish, as well as a variety of standard and special finishes. Parabolic cross baffle is an available option. All downlight reflectors are field interchangeable within the same aperture size. A one-half inch low profile, overlap flange is standard.

HOUSING: Designed for shallow plenums, the frame-in module is fabricated from heavy gauge die formed steel and features a corrosion resistant galvanized finish. Standard plaster flange allows for a 1/2" ceiling thickness.

MOUNTING: Housing is supplied standard with expandable bar hangers which adjust from 14 1/2" to 26". Provision is provided for all four sides of frame-in module to accept bar hangers. Optional mounting brackets (BB) adjust vertically 2.5" and accept a variety of hanger bars, C-Channel, EMT or rigid bars (see optional accessories).

ELECTRICAL: 120 to 277 volt input 50 to 60 Hz high power factor electronic ballasts are instant start, under 10% THD. Consult Technical Section for additional ballast operating data. *Optional emergency ballast (-EM) operates one lamp for 90 minutes, faceplate with test switch and charger light. Integral push to test switch available. See options below.

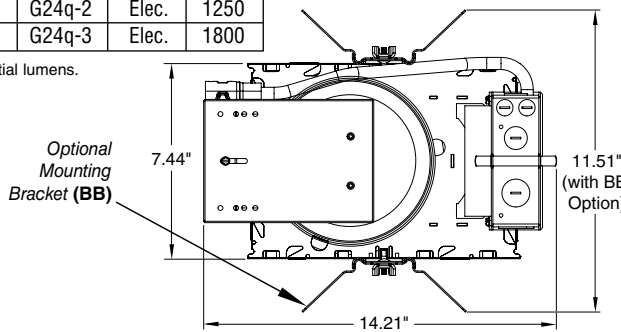
JUNCTION BOX: Heavy gauge galvanized junction box pre-wired with grounding pigtail. Easy access covers. Multiple conduit knockouts listed for through branch circuit wiring.

SOCKET: Positive latch four pin thermoplastic. 26, 32 and 42 watt models feature a twist lock lamp socket. 18 watt features a push in socket.

LAMP DATA:

LAMP	WATTS	BASE	BALLAST	LUMENS
Triple Tube 4-Pin	26	GX24q-3	Elec.	1800
	32	GX24q-3	Elec.	2400
	42	G24q-4	Elec.	3200
Quad Tube 4-Pin	18	G24q-2	Elec.	1250
	26	G24q-3	Elec.	1800

Standard lamping, initial lumens.

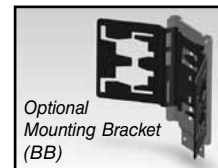


For Wet Location Under Covered Ceiling

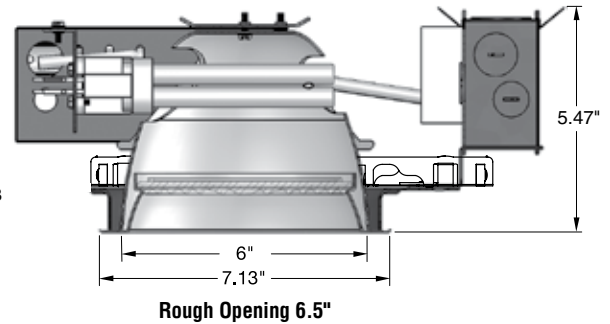
Manufactured and tested to UL#1598 and CSA standards. Note: Suitable for damp location and wet location under covered ceiling.

LEGENDS Plus
Affordable Performance

SERIES 6LPSHF1 SHALLOW DEPTH
Lensed Downlight One Lamp Compact Fluorescent



Optional Mounting Bracket (BB)



Catalog Number – 6LPSHF

Example: 6LPSHF126QE4

Fixture Series	Lamp/Wattage	Ballast/Voltage	Options
6LPSHF	QTY.	TYPE	See Below
	1	26T (Triple Tube)	
	1	32T	
	1	42T	
	1	18Q (Quad Tube)	
	1	26Q	

Optional Accessories

Hanger Bars (set of 2) – Requires optional "BB" mounting bracket to be specified.

- #101782 = #520 Caddy Bars 9152 = 52" C-Channel
- #9127 = 27" C-Channel 27BH = 27" Solid Bar
- #24CBH = 24" one-piece B-Line C-Channel hanger bar

Fixture Type	Job Reference/Location
Lamp Type	Approval

6SHF

Example: 6SHF1FLSCLPF

Trim	Trim Finish w/polished flange
6SHF1FL	– Fresnel Glass Lens
6SHF1PL	– Prismatic Lens
6SHF1C73	– Corning C73 Prismatic Lens
6SHF1CAL	– Clear Acrylic Lens
6SHF1CL	– Clear Glass Lens
SCLPF – Soft Specular Clear Alzak	
For white painted flange, drop "PF" from Catalog #. For other finishes, consult reflector section.	

Options

- EM* = Emergency Battery Pack w/remotely located Test Switch
- EMITS* = Emergency Battery Pack with Integral Test Switch installed in reflector
- F = Fused
- BB = Vertically Adjustable Mounting Bracket

All Pathway® products meet or exceed requirements as established by the National Electrical Code. Specifications subject to change without notice. Alzak® is a registered trademark of Alcoa.



Pathway Lighting Products, Inc., P.O. Box 591, Old Saybrook, CT 06475-0591
voice 800.342.0592 • fax 800.2070090 • www.pathwaylighting.com • e-mail: sales@pathwaylighting.com

Series 6LPSHF1 SHALLOW DEPTH - Lensed Downlight One Lamp Compact Fluorescent