

APPLICATION

Adjustable PAR30 downlight for directional accent lighting in stores, museums, offices, and residential homes. Also suitable for sloped ceiling applications.

PRODUCT DATA

REFLECTOR: The PAR30 adjustable downlight reflector eliminates high angle glare and redirects spill light into the space. The cut-cone reflector and lamp assembly are mounted to the rotation ring which allows for 359° horizontal and 45° vertical adjustment. The dual locking mechanism insures that the fixture stays aimed after being relamped. Torsion springs maintain a tight fit to ceiling to eliminate light leaks and facilitate easy installation. A one half inch low profile, polished overlap flange is standard. Specular Clear Alzak is standard as well as custom reflector finishes in order to provide maximum flexibility to the designer. Consult the lamp manufacturers for the most current data pertaining to the lamp.

HOUSING: A fabricated 18 gauge steel housing is powder coated matte black and provides a secure mounting platform for the electrical components and protects the optical assembly. Top cover is removable for top relamping. The standard plaster flange allows for one inch ceiling thickness. Housing is painted flat black.

MOUNTING: Universal mounting brackets adjust vertically 5.5" and accepts a variety of hanger bars, C-channel, EMT or rigid bars (see options).

ELECTRICAL: Standard fixture is 120 VAC, rated for 75 Watts. Optional 277V input with step down transformer mounted to "J" box cover, protrudes 4", thermally protected U.L. recognized component.

JUNCTION BOX: Heavy gauge galvanized junction box pre-wired to ballast with grounding pigtail. Easy access snap on covers. Multiple conduit knockouts listed for through branch circuit wiring. Thermal cutout provided.

SOCKET: Medium base porcelain with nickel plated brass screw shell.

LAMP DATA: Halogen PAR30 long neck, medium base. Top relamp is standard.

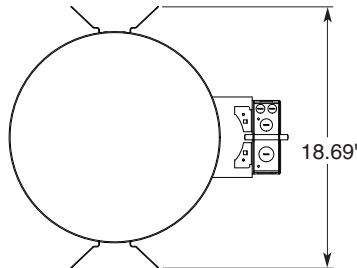
Lamp	Lumens	Life Hrs.
50W PAR30L*	600	2500
60W PAR30L*	830	2500
75W PAR30L*	1100	2500

*Osram Sylvania tungsten halogen Capsylite® lamps.
Note: Many different types, wattages and beam spreads for PAR30L lamps are available.



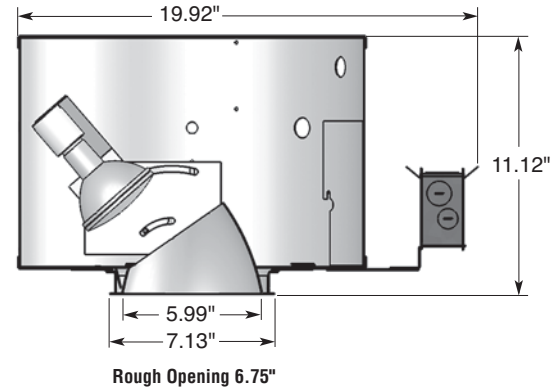
Manufactured and tested to UL#1598 and CSA standards.
Note: Suitable for damp location.

For Damp Location Fixtures are not designed for direct contact with insulation.



Coventry
Architectural Series

SERIES 6AIP30 Adjustable
Downlight PAR30 Halogen Open Reflector



Catalog Number – 6AIP30

Example: 6AIP30

Fixture Series	Lamp/Wattage	Ballast/Voltage	Options
6AI	P30 (75W max.)	120 V Standard	See Options Below

Optional Accessories

Hanger Bars (set of 2)

#101782 = #520 Caddy Bars #9152 = 52" C-Channel
#9127 = 27" C-Channel #27BH = 27" Solid Bar

Fixture Type	Job Reference/Location
Lamp Type	Approval

ACC63SCLPF

Example: ACC63SCLPF

Trim	Trim Finish w/polished flange
ACC63	PAR30 Cut Cone
SCLPF	Soft Specular Clear Alzak Reflector
For white painted flange, drop "PF" from Catalog #. For other finishes, consult reflector section.	

Options

– 277 = 277V / 120V Auto Transformer
– F = Fuse and Fuse Holder

All Pathway® products meet or exceed requirements as established by the National Electrical Code. Specifications subject to change without notice. Alzak® is a registered trademark of Alcoa.

PATHWAY
the Lighting Source

Pathway Lighting Products, Inc., P.O. Box 591, Old Saybrook, CT 06475-0591
voice 800.342.0592 • fax 800.207.0090 • www.pathwaylighting.com • e-mail: sales@pathwaylighting.com

Series 6AIP30 Adjustable Downlight PAR30 Halogen Open Reflector

IN8.1
CUCCN