

APPLICATION

Adjustable PAR38 downlight for directional accent lighting in stores, museums, offices, and residential homes. Also suitable for sloped ceiling applications.

PRODUCT DATA

REFLECTOR: The PAR38 adjustable downlight reflector eliminates high angle glare and redirects spill light into the space. The cut-cone reflector and lamp assembly are mounted to the rotation ring which allows for 359° horizontal and 45° vertical adjustment. The dual locking mechanism insures that the fixture stays aimed after being relamped. Torsion springs maintain a tight fit to ceiling to eliminate light leaks and facilitate easy installation. A one half inch low profile, polished overlap flange is standard. Specular Clear Alzak is standard as well as custom reflector finishes in order to provide maximum flexibility to the designer. Consult the lamp manufacturers for the most current data pertaining to the lamp.

HOUSING: A fabricated 18 gauge steel housing is powder coated matte black and provides a secure mounting platform for the electrical components and protects the optical assembly. Top cover is removable for top relamping. The standard plaster flange allows for one inch ceiling thickness. Housing is painted flat black.

MOUNTING: Universal mounting brackets adjust vertically 5.5" and accepts a variety of hanger bars, C-channel, EMT or rigid bars (see options).

ELECTRICAL: Standard fixture is 120 VAC, rated for 250 Watts. Optional 277V input with step down transformer mounted to "J" box cover, protrudes 4", thermally protected U.L. recognized component.

JUNCTION BOX: Heavy gauge galvanized junction box pre-wired to ballast with grounding pigtail. Easy access snap on covers. Multiple conduit knockouts listed for through branch circuit wiring. Thermal cutout provided.

SOCKET: Medium base porcelain with nickel plated brass screw shell.

LAMP DATA: PAR38 halogen, medium base. Top relamp is standard.

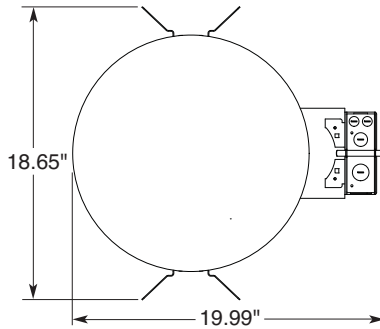
LAMP	LIFE HRS.	LUMENS
60W PAR 38*	3,000	850
75W PAR 38*	2,500	1,060
90W PAR 38*	2,500	1,300
120W PAR 38*	2,500	1,800
250W PAR 38*	4,500	3,600

*Osram Sylvania – tungsten halogen Capsylite® lamps.
 Note: Many different types, wattages and beam spreads for PAR 38 lamps are available.

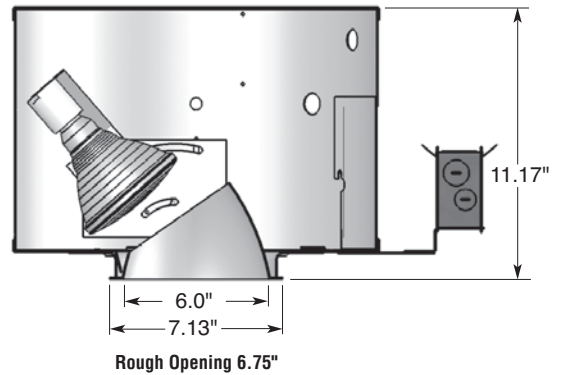


For Damp Location

Manufactured and tested to UL#1598 and CSA standards.
 Note: Suitable for damp location.
 Fixtures are not designed for direct contact with insulation.



SERIES 6AIP38 Adjustable Downlight
 PAR38 Halogen Open Reflector



Catalog Number – 6AIP38

Example: 6AIP38

Fixture Series	Lamp/Wattage	Ballast/Voltage	Options
6AI	P38 (250W max.)	120 V Standard	See Options Below

Optional Accessories

Hanger Bars (set of 2)

- #101782 = #520 Caddy Bars
- #9127 = 27" C-Channel
- #9152 = 52" C-Channel
- #27BH = 27" Solid Bar

Fixture Type	Job Reference/Location
Lamp Type	Approval

ACC63SCLPF

Example: ACC63SCLPF

Trim	Trim Finish w/polished flange
ACC63 – PAR38 Cut Cone	SCLPF – Soft Specular Clear Alzak Reflector
For white painted flange, drop "PF" from Catalog #. For other finishes, consult reflector section.	

Options

- # – 277 = 277V / 120V Auto Transformer
- # – F = Fuse and Fuse Holder

All Pathway® products meet or exceed requirements as established by the National Electrical Code. Specifications subject to change without notice. Alzak® is a registered trademark of Alcoa.

Series 6AIP38 – Adjustable Downlight PAR 38 Halogen Open Reflector



Pathway Lighting Products, Inc., P.O. Box 591, Old Saybrook, CT 06475-0591
 voice 800.342.0592 • fax 800.207.0090 • www.pathwaylighting.com • e-mail: sales@pathwaylighting.com

FLOOD

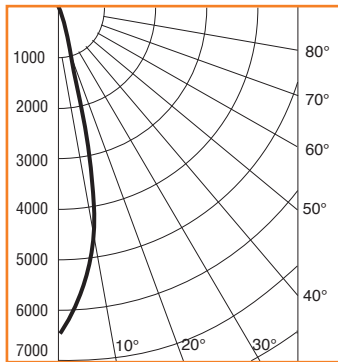
PERFORMANCE DATA

90 Watt PAR38FL					CEILING TO FLOOR	MULTIPLIER TABLE			
Nadir FC	22.5°		45°			Reflector Finish	Multiplier	Lamp	Multiplier
	FC	Diameter	FC	Diameter					
115	76	2.6'	11	5.5'	10'	Specular Wheat	.97	60 PAR38 FL*	.69
89	59	3.0'	9	6.2'	11'	Specular Gold	.99	75 PAR38 FL*	.80
71	86	3.3'	7	6.9'	12'	Specular Black	.85	90 PAR38 FL*	1.00
41	27	4.4'	4	9.1'	15'			120 PAR38 FL*	1.46
21	14	6.2'	2	12.7'	20'			150 PAR38 FL*	1.69
								250 PAR38 FL**	2.00

Single Unit Initial Footcandles at 30" Work Plane

*Osram/Sylvania **GE Only

CANDELA DISTRIBUTION



SMH: 0.43

CANDELA

Vertical Angle	CD
0	6444
5	5826
10	4461
15	2031
20	758
25	306
30	166
35	117
40	44
45	19
50	3
55	0
60	0
65	0
70	0
75	0
80	0
85	0

EFF.= 92.0%

AVERAGE LUMINANCE

CANDELA / Ft ²	
Angle	Brightness
45°	28
55°	0
65°	0
75°	0
85°	0

SPOT

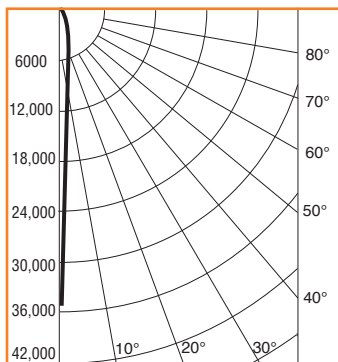
PERFORMANCE DATA

90 Watt PAR38SP			CEILING TO FLOOR	MULTIPLIER TABLE			
Nadir FC	5°			Reflector Finish	Multiplier	Lamp	Multiplier
	FC	Diameter					
156	81	2.6'	15'	Specular Wheat	.98	60 PAR38 SP*	.69
88	46	3.5'	20'	Specular Gold	.99	75 PAR38 SP*	.80
56	29	4.4'	25'	Specular Black	.90	90 PAR38 SP*	1.00
39	20	5.2'	30'			120 PAR38 SP*	1.46
29	15	6.1'	35'			150 PAR38 SP*	1.69
						250 PAR38 SP**	2.00

Single Unit Initial Footcandles at 30" Work Plane

*Osram/Sylvania **GE Only

CANDELA DISTRIBUTION



SMH: 0.17

CANDELA

Vertical Angle	CD
0	35071
5	18432
10	2403
15	401
20	62
25	12
30	0
35	0
40	0
45	0
50	0
55	0
60	0
65	0
70	0
75	0
80	0
85	0

EFF.= 95.0%

AVERAGE LUMINANCE

CANDELA / Ft ²	
Angle	Brightness
45°	0
55°	0
65°	0
75°	0
85°	0

Note: Data calculated using halogen PAR lamps and specular clear reflectors. Results may vary due to lamp variations, as well as ambient temperature and electrical input variance. Data shown as initial footcandles without contribution from redirected light or other sources.

PHOTOMETRIC DATA, available on CD in IES format, please contact factory.