

APPLICATION

Small aperture medium distribution downlight is suitable for commercial, retail and institutional applications that require an energy saving, compact fluorescent lamp source, and a gasketed shower lens with no exposed metal components.

PRODUCT DATA

REFLECTOR: One-piece reflector optics provide high efficiency, low brightness, and 50° cut-off to the lamp image. Reflectors are available in specular or matte finish, as well as a variety of standard and special finishes. A one-half inch low profile, overlap flange is standard.

LENS: Non-conductive frosted lens is molded of polycarbonate and attaches to reflector with unique self-bayonetting design. This eliminates any visible hardware. Lens is gasketed, making it suitable for wet locations. Optional tamperproof (TP) prevents unauthorized access to fixture.

HOUSING: The mounting frame is fabricated heavy gauge steel and provides a solid structure for the optical and electrical components as well as a platform for decorative attachments. Butterfly brackets allow height adjustment from below. Standard plaster flange allows one inch ceiling thickness, custom depth available.

MOUNTING: Universal mounting brackets adjust vertically 2.5" and accept a variety of hanger bars, C-Channel, EMT or rigid bars (see optional accessories). For slope ceiling consult special section of catalog.

ELECTRICAL: 120 to 277 volt input 50 to 60 Hz high power factor electronic ballasts are instant start, under 10% THD. Consult Technical Section for additional ballast operating data. Optional emergency ballast (-EM) operates one lamp for 90 minutes, faceplate with test switch and charger light. Integral push to test switch available. Contact factory for more information.

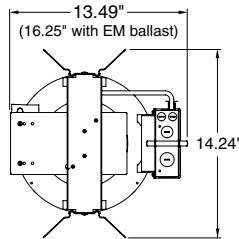
JUNCTION BOX: Heavy gauge galvanized junction box pre-wired with grounding pigtail. Easy access covers. Multiple conduit knockouts listed for through branch circuit wiring.

SOCKET: Positive latch four pin thermoplastic. 26, 32 and 42 watt models feature a twist lock socket. 13 and 18 watt models feature a push in socket. Triple tube models have field adjustable socket position to allow conversion to alternate wattage.

LAMP DATA:

LAMP	WATTS	BASE	BALLAST	LUMENS
Triple Tube 4-Pin	26	G24q-3	Elec.	1800
	32	G24q-3	Elec.	2400
	42	G24q-4	Elec.	3200
Quad Tube 4-Pin	13	G24q-1	Elec.	900
	18	G24q-2	Elec.	1250
	26	G24q-3	Elec.	1800

Standard lamping, initial lumens.

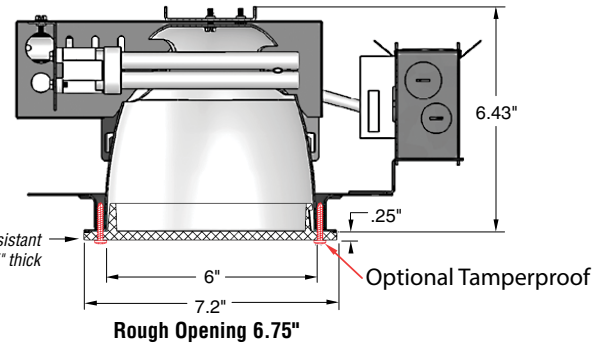


Listed For Wet Location
Under Covered Ceiling

Coventry
Architectural Series

SERIES 6HFWL Shower Lens Horizontal Fluorescent Downlight

Tamperproof Option Available



Horizontally lamped fixtures with open reflectors may not be suitable for use in air handling plenums. For more information, consult the pressroom section of our website. Manufactured and tested to UL#1598 and CSA standards. Note: Suitable for damp location and wet location under covered ceiling.

Catalog #:

6HF

Example: 6HF126TE4

6HFWL

Example: 6HFWL1SCLPF

Fixture Series	Lamp/Wattage	Ballast/Voltage*	Options
6HF	QTY	E4 / Electronic 120/277 D1 / 120V Lutron Dimming D2 / 277V Lutron Dimming *Refer to separate page for dimming ballast specifications and availability of other styles.	See Below
	TYPE		
	(Triple Tube)		
	1 26T		
	1 32T		
	1 42T		
(Quad Tube)			
1 or 2 13Q			
1 or 2 18Q			
1 or 2 26Q			

Optional Accessories

Hanger Bars (set of 2)

- 101782 = #520 Caddy Bars
- 9152 = 52" C-Channel
- 9127 = 27" C-Channel
- 27BH = 27" Solid Bar
- 24CBH = 24" one-piece B-Line C-Channel hanger bar
- 26UBH = interlocking hanger bars expand to 26"

Fixture:	Type:
Project:	

Trim	Trim Finish w/polished flange
6HF1	- One Lamp Reflector
6HF2	- Two Lamp Reflector
WL	- Wet Location Lens
	SCLPF - Soft Specular Clear Alzak
	TP - Tamperproof Option

For white painted flange, drop "PF" from Catalog #.
For other finishes, consult reflector section.

Options

- EM = Emergency Battery Pack w/remotely located Test Switch
- F = Fused

A wide variety of Decorative Element styles can be found in separate brochure.

All Pathway® products meet or exceed requirements as established by the National Electrical Code. Specifications subject to change without notice. Alzak® is a registered trademark of Alcoa.

PATHWAY
the Lighting Source

Pathway Lighting Products, Inc., P.O. Box 591, Old Saybrook, CT 06475-0591
voice 800.342.0592 • fax 800.207.0090 • www.pathwaylighting.com • e-mail: sales@pathwaylighting.com

Series 6HFWL Shower Lens - Horizontal Fluorescent Downlight

FL.15
CECEUE