

APPLICATION

Small aperture vertical lamp downlights for use in low to medium height ceilings that require a lensed wet location reflector. The single reflector optical system is highly efficient and produces uniform distribution while minimizing brightness.

PRODUCT DATA

REFLECTOR: The single reflector optical system provides high efficiency, low brightness, and 50° cut-off to the lamp image. Reflectors are available in specular or matte finish, as well as a variety of standard and special finishes. A half inch low profile, overlap flange is standard.

LENS: Non-conductive "dead front" lens is molded of polycarbonate and attaches to reflector with unique self-bayonetting design. This eliminates any visible hardware. Lens is gasketed, making it suitable for wet locations. Optional tamperproof (TP) prevents unauthorized access to fixture.

HOUSING: The mounting frame is fabricated heavy gauge galvanized steel and provides a solid structure for the optical and electrical components as well as a platform for decorative attachments. Standard plaster flange allows a one inch ceiling thickness. Custom depths are available.

MOUNTING: Universal mounting brackets adjust vertically 2.5" and accept a variety of hanger bars, C-Channel, EMT or rigid bars (see optional accessories). For slope ceiling consult special section of catalog.

ELECTRICAL: 120 to 277 volt input 50 to 60 Hz high power factor electronic ballasts are instant start, under 10% THD. Consult Technical Section for additional ballast operating data. Optional emergency ballast (-EM) operates one lamp for 90 minutes, faceplate with test switch and charger light. Integral push to test switch available. Contact factory for more information.

JUNCTION BOX: Heavy gauge galvanized junction box pre-wired with grounding pigtail. Easy access covers. Multiple conduit knockouts listed for through branch circuit wiring.

SOCKET: Positive latch four pin thermoplastic socket
Style G24Q-1 (13 watt quad), Style GX24Q-2 (18 watt triple).

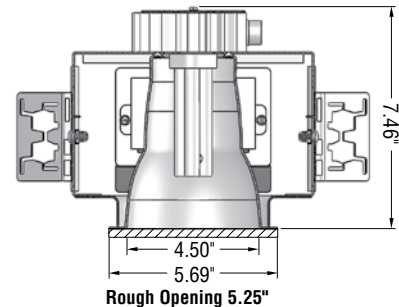
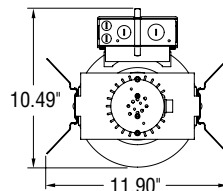
LAMP DATA:

Lamp	Watts	Base	Ballast	Lumens
CFQ13W/G24Q/ *	13	G24q-1	Elec.	900
CFM18W/GX24Q/ *	13	G24q-2	Elec.	1200

* Specify Color



For Wet Location
Under Covered Ceiling

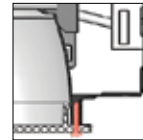


SERIES 4VFWL Shower Lens Vertical Fluorescent Downlight

Tamperproof Option Available



Wet Location Lens



Optional tamperproof (TP) hardware prevents unauthorized access.

Catalog #:

4VF

Example: 4VF113QE4

Fixture Series	Lamp/Wattage	Ballast/Voltage	Options						
4VF	<table border="1"> <thead> <tr> <th>QTY.</th> <th>TYPE</th> </tr> </thead> <tbody> <tr> <td>1</td> <td>13Q (quad)</td> </tr> <tr> <td>1</td> <td>18T (triple tube)</td> </tr> </tbody> </table>	QTY.	TYPE	1	13Q (quad)	1	18T (triple tube)	E4 Electronic 120/277 D1 120V Lutron Dimming* D2 277V Lutron Dimming* * Refer to separate page for dimming ballast specifications and availability of other styles.	See Below
QTY.	TYPE								
1	13Q (quad)								
1	18T (triple tube)								

* Not available for 13 watt

4VF

Example: 4VFGIWSCLPF

Trim	Trim Finish w/polished flange
4VFWL	Lensed Reflector for Wet Location SCLPF – Soft Specular Clear Alzak Finish TP – Optional Tamperproof†

For white painted flange, drop "PF" from Catalog #.
For other finishes, consult reflector section.

† Tamperproof option negates dead front description
Options

- EM = Emergency Battery Pack w/remotely located Test Switch
- EMITS = Emergency Battery Pack with Integral Test Switch installed in reflector
- F = Fused

Manufactured and tested to UL#1598 and GSA standards.

Note: Suitable for damp location.

Fixtures are not designed for direct contact with insulation. All Pathway® products meet or exceed requirements as established by the National Electrical Code. Specifications subject to change without notice. Alzak® is a registered trademark of Alcoa.

Optional Accessories

Hanger Bars (set of 2)

- 101782 = #520 Caddy Bars
- 9152 = 52" C-Channel
- 9127 = 27" C-Channel
- 27BH = 27" Solid Bar

For Optional Reflector Finishes & Decorative elements, consult special section of catalog.

Fixture:	Type:
Project:	



Pathway Lighting Products, Inc., P.O. Box 591, Old Saybrook, CT 06475-0591
voice 800.342.0592 • fax 800.207.0090 • www.pathwaylighting.com • e-mail: sales@pathwaylighting.com

Series 4VFWL Shower Lens - Vertical Fluorescent Downlight

FL1.5
CUULUE