

**APPLICATION**

Versatile incandescent cylinder for pendant, cord, ceiling or wall mounting. Simplicity of design makes this an ideal fixture for applications where PAR halogen lamps are desired.

**PRODUCT DATA**

**HOUSING:** Spun 1100-0 aluminum, .060 thick cylinder housings are standard with white powder coat finish. Optional color as specified.

**ELECTRICAL:** Input 120 VAC, rated for 100 Watts maximum. ETL/CETL Damp Location Listed.

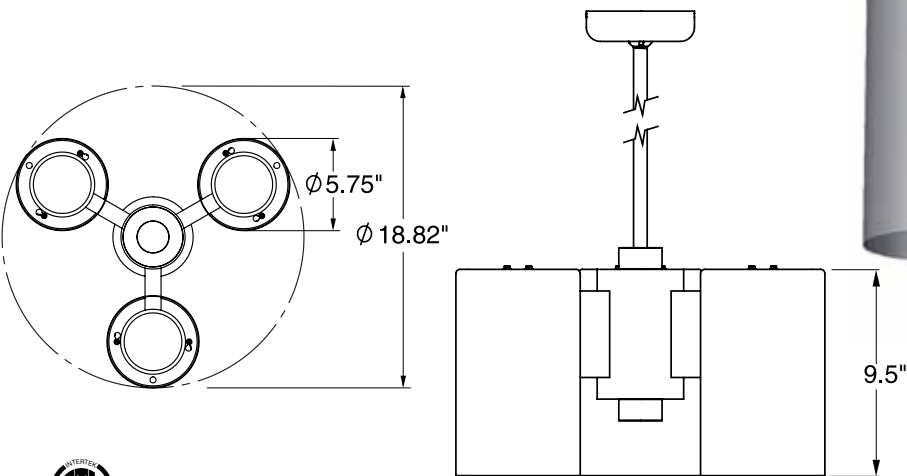
**SOCKET:** Medium Base Porcelain with nickel plated brass screw shell.

**MOUNTING:** (Specify when ordering.)

**Pendant Mount** – Optional swivel mount canopy allows cylinder to hang plumb up to 30° sloped ceiling stem 3/8" IPS (specify length) canopy adds 1.5" to overall length. Standard finish white powder coat. Specify Pendant Kit as follows:

**EXAMPLE: PK 24 W**

Swivel Pendant Kit \_\_\_\_\_  
 Stem Length in inches (add 1.5" for canopy) \_\_\_\_\_  
 White Finish \_\_\_\_\_



For Damp Location

Manufactured and tested to UL#1598 and CSA standards.  
 Note: Suitable for damp location.



**SERIES 3C8P**  
 Incandescent PAR30/PAR38 Cylinder Downlight



Shown with optional pendant kit

Series 3C8P – Incandescent PAR30/PAR38 Cylinder Downlight

Catalog #: **3C8P**

Example: 3C8PIP38BBC

Fixture Series	Lamp/Wattage	Voltage	Exterior Finish	Interior Finish
Pendant 3C8PI	P30 PAR30  P38 PAR38 (100 Watt Max.)	Standard 120 Volt	W – White B – Black Z – Bronze MA – Metallic Aluminum	WC – White Finish Interior BC – Black Finish Interior ZC – Bronze Finish Interior WB – White Baffled Interior BB – Black Baffled Interior MA – Metallic Aluminum

For other finishes, consult Sales Representative.

Fixture: \_\_\_\_\_ Type: \_\_\_\_\_  
 Project: \_\_\_\_\_

All Pathway® products meet or exceed requirements as established by the National Electrical Code. Specifications subject to change without notice. Alzak® is a registered trademark of Alcoa.



Pathway Lighting Products, Inc., P.O. Box 591, Old Saybrook, CT 06475-0591  
 voice 800.342.0592 • fax 800.207.0090 • www.pathwaylighting.com • e-mail: sales@pathwaylighting.com