

APPLICATION

Medium distribution downlights for use in low to medium height ceilings requiring a gasketed shower lens with no exposed metal components.

PRODUCT DATA

REFLECTOR: Hydroformed heavy gauge aluminum reflector with Alzak finish. Radial prismatic lens with white plastic trim flange is gasketed for use in wet location areas. Non conductive "dead front" materials eliminate the risk of electrical shock when lens is in place.

HOUSING: The mounting frame is heavy gauge steel and provides a solid structure for the optical and electrical components as well as a platform for decorative attachments. Standard plaster flange allows a one inch ceiling thickness. Custom depths are available.

MOUNTING: Universal mounting brackets adjust vertically 2.5" and accept a variety of hanger bars, C-Channel, EMT or rigid bars (see optional accessories). For slope ceiling consult special section of catalog.

ELECTRICAL: 120 to 277 volt input 50 to 60 Hz high power factor electronic ballasts are instant start, under 10% THD. Consult Technical Section for additional ballast operating data. Optional emergency ballast (-EM) operates one lamp for 90 minutes, faceplate with test switch and charger light. Integral push to test switch available. Contact factory for more information.

JUNCTION BOX: Heavy gauge galvanized junction box pre-wired with grounding pigtail. Easy access covers. Multiple conduit knockouts listed for through branch circuit wiring.

SOCKET: Positive latch four pin thermoplastic. 26, 32 and 42 watt models feature twist lock sockets. 13 and 18 watt models feature a push in sockets. Triple tube models have field adjustable socket position to allow conversion to alternate wattage.

LAMP DATA:

LAMP	WATTS	BASE	BALLAST	LUMENS
Triple Tube 4-Pin	26	G24q-3	Elec.	1800
	32	G24q-3	Elec.	2400
	42	G24q-4	Elec.	3200
Quad Tube 4-Pin	13	G24q-1	Elec.	900
	18	G24q-2	Elec.	1250
	26	G24q-3	Elec.	1800

Standard lamping, initial lumens.

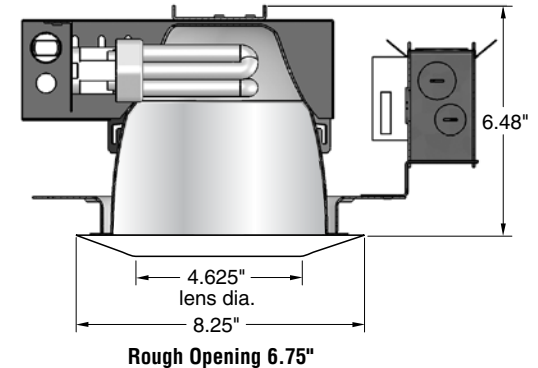
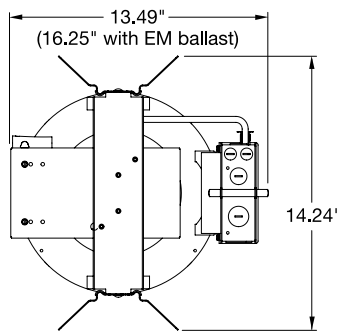


Intertek

For Wet Location
Under Covered Ceiling

Manufactured and tested to UL#1598 and CSA standards.

Note: Suitable for damp location and wet location under covered ceiling.



Coventry

Architectural Series

SERIES 6HF FRPWL Shower Lens Horizontal Fluorescent Lensed Downlight



Series 6HF FRPWL Shower Lens - Horizontal Fluorescent Lensed Downlight

Catalog #:

6HFFRP

Example: 6HFFRP232TE4

Fixture Series	Lamp/Wattage	Ballast/Voltage*	Options
6HFFRP	QTY	E4 / Electronic 120/277	See Below
	TYPE	D1 / 120V Lutron Dimming*	
	(Triple Tube)	D2 / 277V Lutron Dimming*	
	1	26T	
	1	32T	
	1	42T	
(Quad Tube)	2	13Q	
2	18Q		
2	26Q		

*Refer to separate page for dimming ballast specifications and availability of other styles.

Example: 6HF2FRPWL

Trim	Trim Finish
6HF1	- One Lamp Reflector
6HF2	- Two Lamp Reflector
FRPWL	- Gasketed Radial Prismatic Shower Lens with White Plastic Trim Flange for Wet Location

Optional Accessories

Hanger Bars (set of 2)

- 101782 = #520 Caddy Bars
- 9152 = 52" C-Channel
- 9127 = 27" C-Channel
- 27BH = 27" Solid Bar
- 24CBH = 24" one-piece B-Line C-Channel hanger bar
- 26UBH = interlocking hanger bars expand to 26"

Fixture:	Type:
Project:	

Options

- EM = Emergency Battery Pack w/remotely located Test Switch
- F = Fused

All Pathway® products meet or exceed requirements as established by the National Electrical Code. Specifications subject to change without notice. Alzak® is a registered trademark of Alcoa.

PATHWAY®
the Lighting Source

Pathway Lighting Products, Inc., P.O. Box 591, Old Saybrook, CT 06475-0591
voice 800.342.0592 • fax 800.207.0090 • www.pathwaylighting.com • e-mail: sales@pathwaylighting.com

FL3.12
CUMDUE