

## APPLICATION

Shallow depth downlight for applications with minimal plenum depth. Reflector optical systems are highly efficient and produce uniform distribution while minimizing brightness.

## PRODUCT DATA

**REFLECTOR:** One-piece reflector optics provide high efficiency, low brightness, and excellent cut-off to the lamp image. Reflectors are available in specular or matte finish, as well as a variety of standard and special finishes. Parabolic cross baffle is an available option. All downlight reflectors are field interchangeable within the same aperture size. A one-half inch low profile, overlap flange is standard.

**HOUSING:** Designed for shallow plenums, the housing is fabricated heavy gauge steel and provides a solid structure for the optical and electrical components as well as a platform for decorative attachments. Standard plaster flange allows one-inch ceiling thickness.

**MOUNTING:** Universal mounting brackets adjust vertically 2.5" and accept a variety of hanger bars, C-Channel, EMT or rigid bars (see optional accessories). For slope ceiling consult special section of catalog.

**ELECTRICAL:** 120 to 277 volt input 50 to 60 Hz high power factor electronic ballasts are programmed start, under 10% THD. Consult Technical Section for additional ballast operating data. \*Optional emergency ballast (-EM) operates one lamp for 90 minutes, faceplate with test switch and charger light. Integral push to test switch available. See options below.

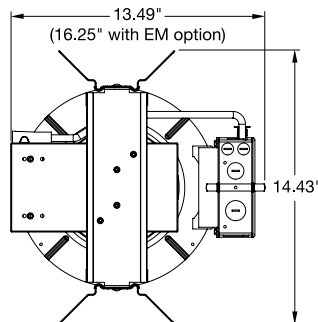
**JUNCTION BOX:** Heavy gauge galvanized junction box pre-wired with grounding pigtail. Easy access covers. Multiple conduit knockouts listed for through branch circuit wiring.

**SOCKET:** Positive latch four pin thermoplastic. 26, 32 and 42 watt models feature a twist lock lamp socket. 18 watt features a push in socket.

### LAMP DATA:

LAMP	WATTS	BASE	BALLAST	LUMENS
Triple Tube 4-Pin	26	GX24q-3	Elec.	1800
	32	GX24q-3	Elec.	2400
	42	GX24q-4	Elec.	3200
Quad Tube 4-Pin	18	G24q-2	Elec.	1250
	26	G24q-3	Elec.	1800

Standard lamping, initial lumens.



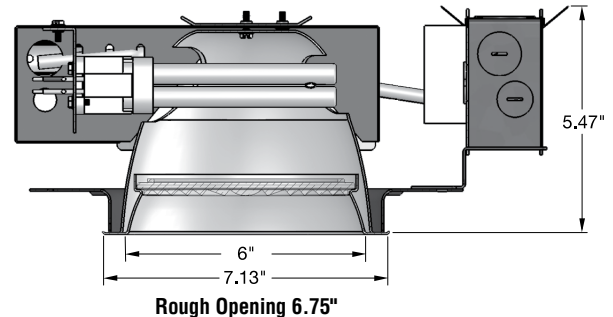
# Coventry

Architectural Series

## SERIES 6SHF LENSED Shallow Depth Downlight Compact Fluorescent



Reflector with Regressed Lens



Rough Opening 6.75"



For Wet Location  
Under Covered Ceiling

Manufactured and tested to UL#1598 and CSA standards.  
Note: Suitable for damp location and wet location under covered ceiling.

Catalog #:

6SHF

Example: 6SHF126QE4

Fixture Series	Lamp/Wattage	Ballast/Voltage	Options
6SHF	QTY. TYPE (Triple Tube) 1 26T	E4 / Electronic 120/277 D1 / 120V Dimming D2 / 277V Dimming	See Below
	1 32T		
	1 42T		
	(Quad Tube) 1 or 2 18Q 1 or 2 26Q		

### Optional Accessories

Hanger Bars (set of 2)

- 101782 = #520 Caddy Bars
- 9127 = 27" C-Channel
- 24CBH = 24" one-piece B-Line C-Channel hanger bar
- 26UBH = interlocking hanger bars expand to 26"
- 9152 = 52" C-Channel
- 27BH = 27" Solid Bar

Fixture:	Type:
Project:	

6SHF

Example: 6SHF1FLSCLPF

Trim	Trim Finish w/polished flange
6SHF1	- One Lamp Reflector
6SHF2	- Two Lamp Reflector
FL	- Fresnel Glass Lens
PL	- Prismatic Lens
C73	- Corning C73 Prismatic Lens
CAL	- Clear Acrylic Lens
CL	- Clear Glass Lens
SCLPF - Soft Specular Clear Alzak	
For white painted flange, drop "PF" from Catalog #. For other finishes, consult reflector section.	

### Options

- EM = Emergency Battery Pack w/remotely located Test Switch
- F = Fused

All Pathway® products meet or exceed requirements as established by the National Electrical Code. Specifications subject to change without notice. Alzak® is a registered trademark of Alcoa.

**PATHWAY**  
the Lighting Source

Pathway Lighting Products, Inc., P.O. Box 591, Old Saybrook, CT 06475-0591  
voice 800.342.0592 • fax 800.207.0090 • www.pathwaylighting.com • e-mail: sales@pathwaylighting.com

Series 6SHF LENSED - Shallow Depth Downlight Compact Fluorescent

FL11.5  
CECEUE