

APPLICATION

Small aperture vertical lamp downlights for use in low to medium height ceilings. The single reflector optical system is highly efficient and produces uniform distribution while minimizing brightness.

PRODUCT DATA

REFLECTOR: The single reflector optical system provides high efficiency, low brightness, and 50° cut-off to the lamp image. Reflectors are available in specular or matte finish, as well as a variety of standard and special finishes. A complete range of optical designs and reflector finishes allow uniform ceiling appearance. A half inch low profile, overlap flange is standard.

DECORATIVE GLASS ELEMENT: Frosted glass elements are available in a variety of styles. Self-bayoneting design allows glass to be securely retained without any visible hardware.

HOUSING: The mounting frame is fabricated heavy gauge galvanized steel and provides a solid structure for the optical and electrical components as well as a platform for decorative attachments. Standard plaster flange allows a one inch ceiling thickness. Custom depths are available.

MOUNTING: Universal mounting brackets adjust vertically 2.5" and accept a variety of hanger bars, C-Channel, EMT or rigid bars (see optional accessories). For slope ceiling consult special section of catalog.

ELECTRICAL: 120 to 277 volt input 50 to 60 Hz high power factor electronic ballasts are instant start, under 10% THD. Consult Technical Section for additional ballast operating data. Optional emergency ballast (-EM) operates one lamp for 90 minutes, faceplate with test switch and charger light. Integral push to test switch available. Contact factory for more information.

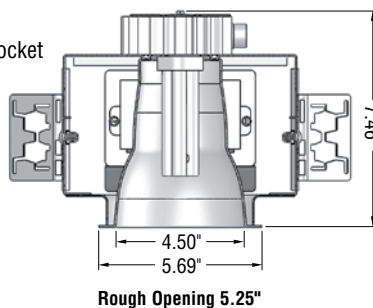
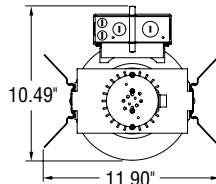
JUNCTION BOX: Heavy gauge galvanized junction box pre-wired with grounding pigtail. Easy access covers. Multiple conduit knockouts listed for through branch circuit wiring.

SOCKET: Positive latch four pin thermoplastic socket Style G24Q-1 (13 watt quad), Style GX24Q-2 (18 watt triple).

LAMP DATA:

Lamp	Watts	Base	Ballast	Lumens
CFQ13W/G24Q/ *	13	G24q-1	Elec.	900
CFM18W/GX24Q/ *	13	G24q-2	Elec.	1200

* Specify Color



Coventry

Architectural Series

SERIES 4VFG Decorative Glass

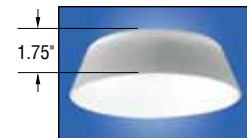
Vertical Fluorescent Downlight



GIW - Miriam Glass



GFW - Park Avenue Glass



GCW - Essex Glass



GSW - Deco Glass



For Wet Location
Under Covered Ceiling

Manufactured and tested to
UL#1598 and CSA standards.
Note: Suitable for damp location.
Fixtures are not designed for
direct contact with insulation.

Catalog #:

4VF

Example: 4VF113QE4

Fixture Series	Lamp/Wattage	Ballast/Voltage	Options						
4VF	<table border="1"> <thead> <tr> <th>QTY.</th> <th>TYPE</th> </tr> </thead> <tbody> <tr> <td>1</td> <td>13Q (quad)</td> </tr> <tr> <td>1</td> <td>18T (triple tube)</td> </tr> </tbody> </table>	QTY.	TYPE	1	13Q (quad)	1	18T (triple tube)	E4 Electronic 120/277 D1 120V Lutron Dimming* D2 277V Lutron Dimming* * Refer to separate page for dimming ballast specifications and availability of other styles.	See Below
QTY.	TYPE								
1	13Q (quad)								
1	18T (triple tube)								

* Not available for 13 watt

4VF

Example: 4VFGIWSCLPF

Trim	Trim Finish w/polished flange
4VF	Downlight Reflector GIW - Miriam Glass GFW - Park Avenue Glass GCW - Essex Glass GSW - Deco Glass SCLPF - Soft Specular Clear Alzak Finish

For white painted flange, drop "PF" from Catalog #.
For other finishes, consult reflector section.

Optional Accessories

Hanger Bars (set of 2)

- 101782 = #520 Caddy Bars 9152 = 52" C-Channel
 9127 = 27" C-Channel 27BH = 27" Solid Bar

For Optional Reflector Finishes & Decorative elements, consult special section of catalog.

Fixture:	Type:
Project:	

Options

- EM = Emergency Battery Pack w/remotely located Test Switch
 EMITS = Emergency Battery Pack with Integral Test Switch installed in reflector
 F = Fused

All Pathway® products meet or exceed requirements as established by the National Electrical Code. Specifications subject to change without notice. Alzak® is a registered trademark of Alcoa.

PATHWAY
the Lighting Source

Pathway Lighting Products, Inc., P.O. Box 591, Old Saybrook, CT 06475-0591
voice 800.342.0592 • fax 800.207.0090 • www.pathwaylighting.com • e-mail: sales@pathwaylighting.com

Series 4VFG Decorative Glass - Vertical Fluorescent Downlight

FL1.2
CDMUU