

## APPLICATION

Vertical lamp downlight for use in low to medium height ceilings where energy efficient compact fluorescent lamps and a lensed reflector is desired.

## PRODUCT DATA

**REFLECTOR:** Heavy gauge aluminum reflector features a regressed splay and a variety of lenses. Reflectors are available in specular or matte finish, as well as a variety of standard and special finishes. Keyhole slots at top of reflector provide positive securement to housing. A complete range of optical designs and reflector finishes allow uniform ceiling appearance. A half inch low profile, overlap flange is standard.

**HOUSING:** Frame-in module is fabricated from heavy gauge die formed steel and features a corrosion resistant galvanized finish. Standard plaster flange allows for a 1/2" ceiling thickness. Diecast aluminum socket cup is finned for optimum heat dissipation.

**MOUNTING:** Housing is supplied standard with expandable bar hangers which adjust from 14 1/2" to 26". Provision is provided for all four sides of frame-in module to accept bar hangers. Optional mounting brackets (BB) adjust vertically 2.5" and accept a variety of hanger bars, C-Channel, EMT or rigid bars (see optional accessories).

**ELECTRICAL:** 120 to 277 volt input 50 to 60 Hz high power factor electronic ballasts are instant start, under 10% THD. Consult Technical Section for additional ballast operating data. Optional emergency ballast (-EM) operates one lamp for 90 minutes, faceplate with test switch and charger light. Integral push to test switch available. Contact factory for more information.

**JUNCTION BOX:** Heavy gauge galvanized junction box pre-wired with grounding pigtail. Easy access covers. Multiple conduit knockouts listed for through branch circuit wiring.

**SOCKET:** Positive latch four pin thermoplastic socket. 26, 32 and 42 watt models feature a twist lock socket. 13 and 18 watt models feature a push in socket. Triple tube models have field adjustable socket position to allow conversion to alternate wattage.

### LAMP DATA:

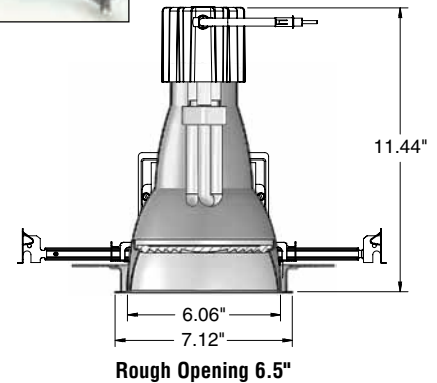
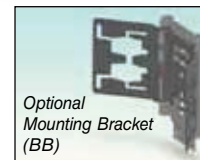
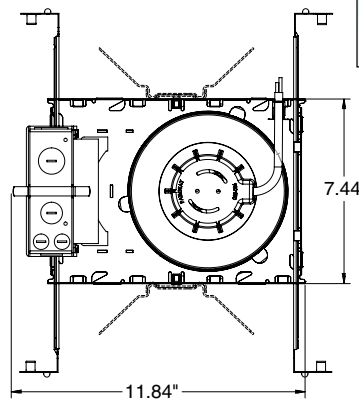
| LAMP                 | WATTS | BASE    | BALLAST | LUMENS |
|----------------------|-------|---------|---------|--------|
| Triple Tube<br>4-Pin | 26    | GX24q-3 | Elec.   | 1800   |
|                      | 32    | GX24q-3 | Elec.   | 2400   |
|                      | 42    | GX24q-3 | Elec.   | 3200   |
| Quad Tube<br>4-Pin   | 13    | G24q-1  | Elec.   | 900    |
|                      | 18    | G24q-2  | Elec.   | 1250   |
|                      | 26    | G24q-3  | Elec.   | 1800   |

Initial lumens



Manufactured and tested to UL#1598 and CSA standards. Fixtures are not designed for direct contact with insulation.

LISTED FOR WET LOCATION UNDER COVERED CEILING



Catalog #:

6LPVF

Example: 6LPVF126TE4

| Fixture Series | Lamp/Wattage               |                          | Ballast/Voltage   | Options   |
|----------------|----------------------------|--------------------------|---|-----------|
| 6LPVF          | (Triple Tube)<br>QTY. TYPE | (Quad Tube)<br>QTY. TYPE | E4 / Electronic 120/277<br>D1 / 120V Lutron Dimming†<br>D2 / 277V Lutron Dimming† | See Below |
|                | 1 26T 26W                  | 1 13Q 13W                |   |           |
|                | 1 32T 32W                  | 1 18Q 18W                |   |           |
|                | 1 42T 42W                  | 1 26Q 26W                |   |           |

6VF

Example: 6VFFLSCLPF

| Trim  | Trim Finish w/polished flange     |
|---|-----------------------------------|
| 6VFFL   | - Fresnel Lens (Tempered Glass)   |
| 6VFPL   | - Prismatic Lens (Tempered Glass) |
| 6VFCL   | - Clear Lens (acrylic)            |
| SCLPF - Soft Specular Clear Alzak   |                                   |
| For white painted flange, drop "PF" from Catalog #.<br>For other finishes, consult reflector section. |                                   |

## Optional Accessories

Hanger Bars (set of 2) - Requires optional "BB" Mounting Bracket to be specified.

- 101782 = #520 Caddy Bars
- 9152 = 52" C-Channel
- 9127 = 27" C-Channel
- 27BH = 27" Solid Bar
- 24CBH = 24" one-piece B-Line C-Channel hanger bar

|          |       |
|----------|-------|
| Fixture: | Type: |
| Project: |       |

# LEGENDS Plus

Affordable PERFORMANCE

## SERIES 6LPVF

6" Aperture Vertical Lamp Recessed Downlight



Series 6LPVF - 6" Aperture Vertical Lamp Recessed Downlight

**PATHWAY**  
the Lighting Source

Pathway Lighting Products, Inc., P.O. Box 591, Old Saybrook, CT 06475-0591  
voice 800.342.0592 • fax 800.207.0090 • www.pathwaylighting.com • e-mail: sales@pathwaylighting.com

LP2.0  
CUMULUM