

APPLICATION

Suspended dual pendant utilizes incandescent and compact fluorescent lamp sources to supply general illumination in medium to high ceiling applications such as offices, malls and retail spaces. The acrylic refractor along with the decorative disc provides low apparent brightness and high vertical footcandles where desired. Light colored ceilings utilize its inherent uplight component, reducing contrast and improving uniformity.

PRODUCT DATA

REFRACTOR: The prismatic UV stabilized acrylic refractor produces a soft diffused illumination with 20% uplight. Contact factory for optional colors and finishes.

DECORATIVE DISC: Tempered soda-lime glass disc with center hole for easy lamp replacement. Frosted center reduces lamp image and glare while softening illumination. Also available with optional acrylic plastic disc, specify when ordering.

MECHANICAL: The cylindrical housing is constructed of satin anodized aluminum extrusions, finned for optimum heat dissipation. Chrome plated steel decorative rods support decorative elements while projecting a rugged industrial appearance of the fixture.

LAMP DATA / SOCKETS:

INCANDESCENT –

Single lamp operation.
Medium base porcelain socket with nickel plated screw shell.

LAMP DATA

LAMP	WATTS	BASE	LUMENS
100W A-19 I.F.	100	MED	1650
150W A-21 I.F.	150	MED	2850
200W A-23 I.F.	200	MED	4010

LAMP DATA

COMPACT FLUORESCENT –

Single or multiple lamp operation.
Positive latch 4-Pin thermoplastic socket(s).

LAMP	WATTS	BASE	BALLAST	LUMENS
Triple Tube 4-Pin	32	GX24q-3	Elec.	2400
	42	GX24q-4	Elec.	3200
	57	GX24q-5	Elec.	4300

ELECTRICAL: INCANDESCENT – 120 volt /200 watt maximum.

FLUORESCENT – *Programmed* start, High Power Factor Electronic Ballast 120 volt to 277 volt, 50 to 60Hz, input. Total harmonic distortion (THD) under 10%. Consult technical section of catalog for additional information.

MOUNTING: Supplied standard for pendant mounting. Pendant kit is separate and specified as follows;

EXAMPLE: **PK 24 MA**

Swivel Pendant Kit _____
Stem Length in inches (add 1.5" for canopy) _____
Metallic Aluminum (MA), White Finish (W),
Black (B), or Bronze (Z) _____



Listed
For Damp Location

Manufactured and tested to UL#1598 and CSA standards.
Note: Suitable for damp location.

Coventry

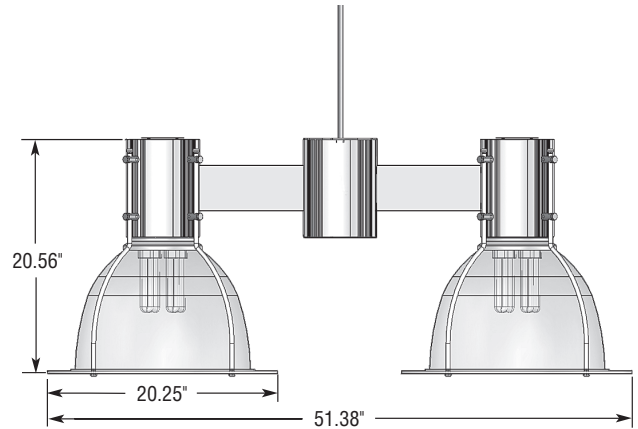
Architectural Series

SERIES 2P6C-FG20 Pendant

Double Pendant Downlight with Decorative Disc



Solerio
Decorative Lighting



Catalog #:

2P6C

Example: 2P6C442E4P / FG20

Fixture Series	Lamp/Wattage	Ballast / Voltage	Suspension	Options	Decorative Elements
2P6C	QTY. of Lamps per Pendant 1, 2, 3, or 4 32 Triple 1, 2, 3, or 4 42 Triple 1 or 2 57 Triple	E4 – Electronic 120/277 DIMMING BALLASTS (2 Lamp Max) D1 – Lutron 120V D2 – Lutron 277V DT – Lutron TU Wire (120V only) DA1 – Advance Mark X 120V DA2 – Advance Mark X 277V DA4 – Advance Mark VII 120 - 277V [^] (requires 4 wire dimming control)	P – Pendant provision	Special Housing Colors W = White B = Black Z = Bronze F = Fused EM= Emergency Power Pack (Operates (1) 26-42 watt lamp)	FG20 – Decorative Glass Disc CB20 – Decorative Cobalt Disc (shown) AP20 – Decorative Acrylic Disc
	A21 – 150 watt Incandescent A23 – 200 watt Incandescent	2 – (277 Volt)			

Fixture: _____ Type: _____
Project: _____

[^]DA4 only available on 1-2 lamp operation 26-42 watt lamps

All Pathway® products meet or exceed requirements as established by the National Electrical Code. Specifications subject to change without notice.

PATHWAY
the Lighting Source

Pathway Lighting Products, Inc., P.O. Box 591, Old Saybrook, CT 06475-0591
voice 800.342.0592 • fax 800.207.0090 • www.pathwaylighting.com • e-mail: sales@pathwaylighting.com

Series 2P6C-FG20 Pendant - Double Pendant Downlight with Decorative Disc

SF59.5
CEUBR