

APPLICATION

Light-Squares™ recessed downlights are ideal for low to medium height ceilings where a flush mount trim and architecturally pleasing square aperture are desired. Two-piece reflector optics provide medium distribution and maximum efficiency.

PRODUCT DATA

REFLECTOR: The specular upper reflector and lower soft specular splay trim offer excellent efficiency and low brightness. Narrow (1/8") trim flange is flush with ceiling line for a clean appearance and smooth transition between the ceiling and fixture aperture. A complete range of textures and finishes are available to complement any décor. Standard with prismatic spread lens optimum performance and visual comfort.

MECHANICAL: The housing is fabricated heavy gauge steel with galvanized finish and ventilated for heat dissipation. Integral plaster ring allows drywall compound to be applied up to edge of aperture. Trim flange rests in a flush mount position with drywall compound. Housing can be mechanically fastened to drywall to prevent movement and eliminate cracking or chipping. Universal mounting brackets adjust vertically and accept a variety of hanger bars. Ballast is accessible through aperture.

ELECTRICAL: 120 to 277 volt input 50 to 60 Hz high power factor electronic ballasts are programmed start, under 10% THD. Consult Technical Section for additional ballast operating data. Ballast can be serviced from below the ceiling. Optional emergency ballast (-EM) operates one lamp for 90 minutes, remote faceplate with test switch and charger light. Integral push to test switch available (EMITS). Contact factory for more information.

JUNCTION BOX: Heavy gauge galvanized junction box pre-wired with grounding pigtail. Easy access covers. Multiple conduit knockouts listed for through branch circuit wiring.

SOCKET: Positive latch four pin thermoplastic. Twist lock lamp socket supplied standard for ease of relamping. Field adjustable socket position to accommodate all lamp types.

LAMP DATA:

LAMP	WATTS	BASE	BALLAST	LUMENS
Triple Tube 4-Pin	26	GX24q-3	Elec.	1800
	32	GX24q-3	Elec.	2400
	42	GX24q-4	Elec.	3200

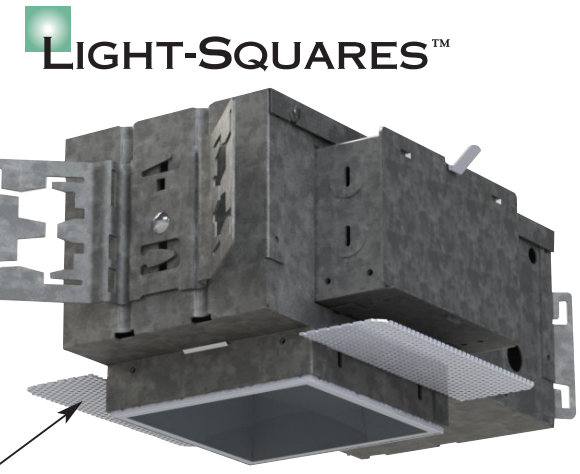
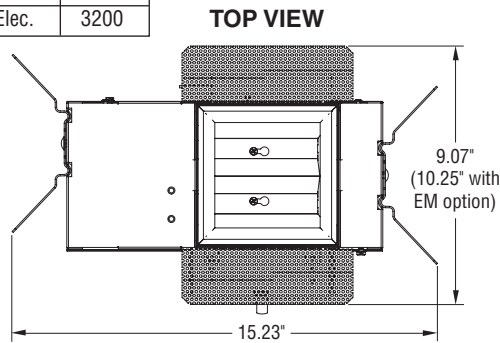
Initial lumens



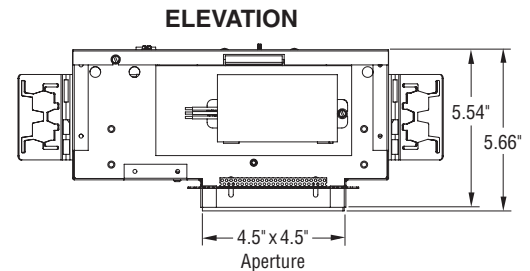
Intertek
For Wet Location
Under Covered Ceiling

Manufactured and tested to UL#1598
and CSA standards.

Note: Suitable for damp location and
wet location under covered ceiling.



Anchor tabs allow drywall to be secured to fixture,
minimizing movement and reducing cracking.
Tabs adjust for ceiling thicknesses of 1/2", 5/8", 3/4" and 1".



Rough Opening 5.125" x 5.125"

Catalog #:

4SQHF

Example: 4SQHF142TE4NF

Fixture Series	Lamp/Wattage	Ballast/Voltage	Options
4SQHF	QTY. TYPE (Triple Tube)	E4 Electronic 120/277 D1 120V Lutron Dimming* D2 277V Lutron Dimming*	NF = Flush Mount Flange See Below for Additional Options
	1 26T	* Refer to separate page for dimming ballast specifications and availability of other styles.	
	1 32T		
	1 42T		

4SQLH3

Example: 4SQLH3SCLNF

Trim	Trim Finish w/polished flange
4SQLH3	- Diagonal Prismatic Lens
4SQLH5	- Frosted Lens
4SQH	- Open Reflector
	SCL - Soft Specular Clear Alzak
	NF - Flush Mount

Optional Accessories

Hanger Bars (set of 2)

- 101782 = #520 Caddy Bars
- 9152 = 52" C-Channel
- 9127 = 27" C-Channel
- 27BH = 27" Solid Bar
- 24CBH = 24" one-piece B-Line C-Channel hanger bar
- 26UBH = interlocking hanger bars expand to 26"

Fixture:	Type:
Project:	

Options

- * EM = Emergency Battery Pack w/remotely located Test Switch
 - * EMITS = Emergency Battery Pack with Integral Test Switch installed in reflector
 - F = Fused
- * Note increased dimensions.

All Pathway® products meet or exceed requirements as established by the National Electrical Code. Specifications subject to change without notice. Alzak® is a registered trademark of Alcoa.

PATHWAY®
the Lighting Source

Pathway Lighting Products, Inc., P.O. Box 591, Old Saybrook, CT 06475-0591
voice 800.342.0592 • fax 800.207.0090 • www.pathwaylighting.com • e-mail: sales@pathwaylighting.com

Series 4SQHF - NF - Square Aperture Fluorescent Downlight Flush Mount

SQ1.02
UMCBUB

SERIES 4SQHF – NF Square Aperture Fluorescent Downlight Flush Mount

DOWNLIGHT - 42 WATT LAMP

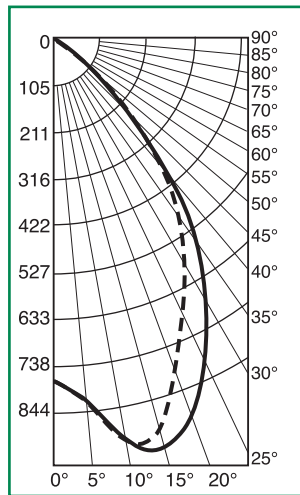
Model Number: 4SQHF142TE4NF/4SQHL3SCLPFNF
Lamp: Single 42 Watt Triple Tube
Luminaire Efficiency: Diagonal Prismatic Lens – 42%
SMHR: 1.15

PERFORMANCE DATA

CONE OF LIGHT		
CEILING HEIGHT	FC (NADIR)	BEAM DIAM.
8.0'	12.1	16.6'
10.0'	7.7	20.7'
12.0'	5.4	24.9'
14.0'	3.9	29.0'

Initial Footcandles at 30" Work Plane
 Beam diameter calculated at 50% of maximum fc at nadir.

CANDELA DISTRIBUTION



LEGEND:
 0 - deg: - - - -
 90 - deg: ————

CANDELA

VERTICAL ANGLE	0	90
0.00	770	770
5.00	821	826
10.00	920	913
15.00	909	949
20.00	794	902
25.00	682	789
30.00	584	682
35.00	491	556
40.00	377	404
45.00	276	292
50.00	201	203
55.00	113	86.4
60.00	0.460	0.330
65.00	0.000	0.000
70.00	0.000	0.000
75.00	0.000	0.000
80.00	0.000	0.000
85.00	0.000	0.000
90.00	0.000	0.000

COEFFICIENTS OF UTILIZATION

PCC PW	.8				.7				.5			.3			.1			0
	.7	.5	.3	.1	.7	.5	.3	.1	.5	.3	.1	.5	.3	.1	.5	.3	.1	0
RCR																		
0	49	49	49	49	48	48	48	48	45	45	45	44	44	44	42	42	42	41
1	46	45	44	43	45	44	43	42	42	41	41	41	40	39	39	39	38	37
2	43	41	39	38	42	40	39	37	39	37	36	38	36	35	37	36	35	34
3	41	38	35	33	40	37	35	33	36	34	32	35	33	32	34	33	31	31
4	38	34	32	30	37	34	31	30	33	31	29	32	30	29	31	30	28	28
5	36	32	29	27	35	31	29	27	30	28	26	30	28	26	29	27	26	25
6	33	29	26	24	33	29	26	24	28	26	24	27	25	24	27	25	24	23
7	31	27	24	22	31	27	24	22	26	24	22	26	23	22	25	23	22	21
8	29	25	22	20	29	25	22	20	24	22	20	24	21	20	23	21	20	19
9	28	23	20	18	27	23	20	18	23	20	18	22	20	18	22	20	18	18
10	26	22	19	17	26	21	19	17	21	19	17	21	18	17	20	18	17	16

Note: Data calculated using specular clear reflectors. Results may vary due to lamp and ballast variations, as well as ambient temperature and electrical input variance. Data shown are initial footcandles without contribution from redirected light or other sources.

PHOTOMETRIC DATA, available on CD in IES format, please contact factory.