

APPLICATION

Small aperture vertical lamp downlights for use in low to medium height ceilings. The single reflector optical system is highly efficient and produces uniform distribution while minimizing brightness.

PRODUCT DATA

REFLECTOR: The single reflector optical system provides high efficiency, low brightness, and 50° cut-off to the lamp image. Reflectors are available in specular or matte finish, as well as a variety of standard and special finishes. A complete range of optical designs and reflector finishes allow uniform ceiling appearance. A half inch low profile, overlap flange is standard.

HOUSING: The mounting frame is fabricated heavy gauge galvanized steel and provides a solid structure for the optical and electrical components as well as a platform for decorative attachments. Standard plaster flange allows a one inch ceiling thickness. Custom depths are available.

MOUNTING: Universal mounting brackets adjust vertically 2.5" and accept a variety of hanger bars, C-Channel, EMT or rigid bars (see optional accessories). For slope ceiling special section of catalog.

ELECTRICAL: 120 to 277 volt input 50 to 60 Hz high power factor electronic ballasts are programmed start, under 10% THD. Consult Technical Section for additional ballast operating data. Optional emergency ballast (-EM) operates one lamp for 90 minutes, faceplate with test switch and charger light. Integral push to test switch available. Contact factory for more information.

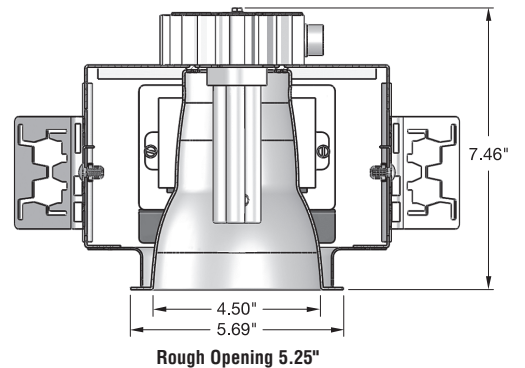
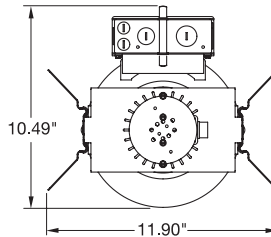
JUNCTION BOX: Heavy gauge galvanized junction box pre-wired with grounding pigtail. Easy access covers. Multiple conduit knockouts listed for through branch circuit wiring.

SOCKET: Positive latch four pin thermoplastic socket
Style G24Q-1 (13 watt quad), Style GX24Q-2 (18 watt triple).

LAMP DATA:

LAMP	WATTS	BASE	BALLAST	LUMENS
CFQ13W/G24Q/ *	13	G24q-1	Elec.	900
CFM18W/GX24Q/ *	18	G24q-2	Elec.	1200

* Specify Color



For Wet Location
Under Covered Ceiling

Manufactured and tested to UL#1598 and CSA standards.

Note: Suitable for damp location.

Fixtures are not designed for direct contact with insulation.

Catalog #:

4VF

Example: 4VF113QE4

Fixture Series	Lamp/Wattage	Ballast/Voltage	Options						
4VF	<table border="1"> <thead> <tr> <th>QTY.</th> <th>TYPE</th> </tr> </thead> <tbody> <tr> <td>1</td> <td>13Q (quad)</td> </tr> <tr> <td>1</td> <td>18T (triple tube)</td> </tr> </tbody> </table>	QTY.	TYPE	1	13Q (quad)	1	18T (triple tube)	E4 Electronic 120/277 D1 120V Lutron Dimming* D2 277V Lutron Dimming* * Refer to separate page for dimming ballast specifications and availability of other styles.	See Below
QTY.	TYPE								
1	13Q (quad)								
1	18T (triple tube)								

* Not available for 13 watt

Optional Accessories

Hanger Bars (set of 2)

- 101782 = #520 Caddy Bars
- 9152 = 52" C-Channel
- 9127 = 27" C-Channel
- 27BH = 27" Solid Bar
- 24CBH = 24" one-piece B-Line C-Channel hanger bar
- 26UBH = interlocking hanger bars expand to 26"

Fixture:	Type:
Project:	

Coventry

Architectural Series

SERIES 4VF Quad, Triple Tube Downlight Vertical Fluorescent Open Reflector

- Open reflector are not suitable for air handling plenums

4VF

Example: 4VFSCLPF

Trim	Trim Finish w/polished flange
4VF	- Downlight
4VFWW	- 120° Cutout Wall Wash
	SCLPF - Soft Specular Clear Alzak
For white painted flange, drop "PF" from Catalog #.	
For other finishes, consult reflector section.	

Options

- EM = Emergency Battery Pack w/remotely located Test Switch
- EMITS = Emergency Battery Pack with Integral Test Switch installed in reflector
- F = Fused

All Pathway® products meet or exceed requirements as established by the National Electrical Code. Specifications subject to change without notice. Alzak® is a registered trademark of Alcoa.

PATHWAY
the Lighting Source

Pathway Lighting Products, Inc., P.O. Box 591, Old Saybrook, CT 06475-0591
voice 800.342.0592 • fax 800.207.0090 • www.pathwaylighting.com • e-mail: sales@pathwaylighting.com

FL1.0
UUCECD

DOWNLIGHT - FLOOD DISTRIBUTION

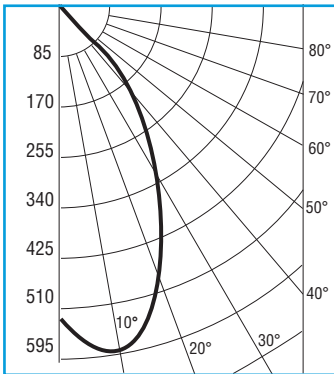
PERFORMANCE DATA

18 WATT HEX LAMP					CEILING TO FLOOR	MULTIPLIER TABLE			
Nadir FC	FC	15° Diameter	FC	30° Diameter		Reflector Finish	Multiplier	Lamp	Multiplier
17	18	3.0'	8	6.0'	8'	Soft Clear	0.97		
12	13	3.5'	5	7.5'	9'	Specular Wheat	0.97	13 Watt	0.75
9	10	4.0'	4	8.5'	10'	Soft Wheat	0.87	18 Watt	1.00
7	8	4.5'	3	9.5'	11'	Specular Black	0.70		
6	7	5.0'	2	11.0'	12'	Matte White	0.95		

Single Unit Initial Footcandles at 30" Work Plane

DOWNLIGHT - 18 WATT LAMP

CANDELA DISTRIBUTION



SMH = 1.01

CANDELA

VERTICAL ANGLE	CD
0	527
5	571
10	593
15	604
20	494
25	402
30	347
35	264
40	169
45	80
50	20
55	1
60	0
65	0
70	0
75	0
80	0
85	0

EFF.= 54.0%

COEFFICIENTS OF UTILIZATION

PCC	.8				.7				.5				.3				.1				0	
PW	.7	.5	.3	.1	.7	.5	.3	.1	.5	.3	.1	.5	.3	.1	.5	.3	.1	.5	.3	.1	0	
RCR	0	61	61	61	61	60	60	60	60	57	57	57	55	55	55	52	52	52	51	51	51	51
1	58	57	56	54	57	56	55	53	54	53	52	52	51	50	49	49	49	48	48	48	48	
2	55	53	51	49	54	52	50	48	50	49	47	49	47	46	45	45	45	44	44	44	44	
3	52	49	46	44	51	48	46	44	47	45	43	46	44	43	41	41	41	41	41	41	41	
4	50	46	43	40	49	45	42	40	44	42	40	43	41	39	38	38	38	38	38	38	38	
5	47	43	39	37	46	42	39	37	41	39	37	40	38	36	35	35	35	35	35	35	35	
6	44	40	37	34	44	39	36	34	39	36	34	38	35	34	33	33	33	33	33	33	33	
7	42	37	34	32	41	37	34	32	36	33	31	36	33	31	30	30	30	30	30	30	30	
8	40	35	32	29	39	35	32	29	34	31	29	33	31	29	28	28	28	28	28	28	28	
9	38	33	30	27	37	32	29	27	32	29	27	32	29	27	26	26	26	26	26	26	26	
10	36	31	28	26	35	31	28	26	30	27	26	30	27	26	25	25	25	25	25	25	25	

PFC = 0.20

AVERAGE LUMINANCE

NARROW BEAM	
Angle	CD/FT ²
45°	288
55°	3
65°	0
75°	0
85°	0

WALL WASH

WALL WASH DATA CHART

Distance From Ceiling	4' O.C.; 3' Set Back		3' O.C.; 3' Set Back		2' O.C.; 2' Set Back	
	Below Fixtures	Between Fixtures	Below Fixtures	Between Fixtures	Below Fixtures	Between Fixtures
0.5'	3	3	5	5	11	10
1.5'	5	5	8	7	14	15
2.5'	5	5	8	7	14	14
3.5'	5	5	7	8	15	14
4.5'	5	6	8	9	14	13
5.5'	5	6	8	9	12	12
6.5'	5	6	8	8	9	9
7.5'	5	5	7	8	7	7
8.5'	4	4	6	7	6	6
9.5'	4	4	5	6	5	5

Initial Vertical Footcandles on Wall

Note: Data calculated using 18 Watt lamp and specular clear reflector. Results may vary due to lamp and ballast variations, as well as ambient temperature and electrical input variance. Data shown are initial footcandles without contribution from redirected light or other sources. Kicker reflector is provided clear, regardless of reflector finish, unless specified otherwise.

PHOTOMETRIC DATA, available on CD in IES format, please contact factory.