

**APPLICATION**

Small aperture Halogen low voltage downlight for accent lighting. For use in spaces where good color rendition and dimming are required.

**PRODUCT DATA**

**REFLECTOR:** The parabolic reflector redirects spill light from the lamp, and eliminates high angle glare. A one half-inch overlap flange is standard. Supplied standard with Specular Clear Alzak, other reflector finishes are available in order to provide maximum flexibility to the designer. Custom flanges are available to accommodate special ceiling conditions.

**HOUSING:** A fabricated 18 gauge matte black steel housing provides a secure mounting platform for the electrical components and protects the optical assembly. Housing is provided standard with top access for relamping. Fixture is available with diffusing spread lens (LW3) mounted in lamp holder (other styles available). Standard plaster flange allows one inch ceiling thickness with custom depth available. Low Voltage transformer is accessible from below.

**MOUNTING:** Universal Mounting brackets adjust vertically 5.5" and accepts C-channel or rigid bars (see optional accessories).

**ELECTRICAL:** (E1) A 120V or (E2) 277V electronic low voltage transformer is internally mounted and accessible from below. Transformer has a maximum full load rating of 75 watts, with internal circuit protection. Optional magnetic (M1) 120V or (M2) 277V transformer. ETL/CETL damp location listed for eight wire 90°C branch wiring.

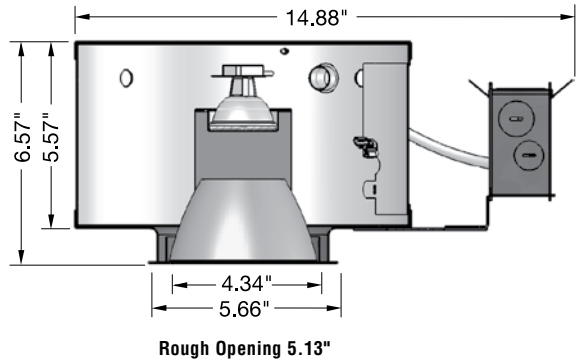
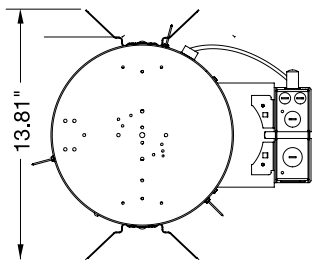
**JUNCTION BOX:** Heavy gauge galvanized junction box pre-wired with grounding pigtail. Easy access covers. Multiple conduit knockouts listed for through branch circuit wiring.

**SOCKET:** MR16, 75 watts maximum, high temperature porcelain bi-pin socket.

**LAMP DATA** Low voltage MR16 Halogen 75 watts maximum. Refer to Lamp manufacturer's data sheet for specific performance characteristics. Top relamp is standard.

LAMP	WATTS	LIFE HRS.	CBCP	SPREAD
20MR-16/NSP	20	4,000	6,000	8°
20MR-16/FL	20	4,000	700	40°
35MR-16/NSP	35	4,000	11,000	8°
35MR-16/FL	35	4,000	1,400	40°
50MR-16/NSP	50	4,000	11,000	12°
50MR-16/FL	50	4,000	2,000	40°
65MR-16/NSP	65	4,000	14,000	10°
65MR-16/FL	65	4,000	2,100	40°

Beam Spread listed is at 50% CBCP.  
For current data please consult manufacturer's catalog.



Manufactured and tested to UL#1598 and CSA standards.  
Note: Suitable for damp location.  
Fixtures are not designed for direct contact with insulation.

For Damp Location

**Catalog Number – 4VLV MR16 \_\_\_\_\_ / SCC43 \_\_\_\_\_**

Example: 4VLV MR1675E1-TL

Example: SCC43SCLPF

Fixture Series	Lamp/Wattage	Ballast/Voltage	Options
4VLV	MR16 75	<b>E1</b> = Electronic 120V <b>E2</b> = Electronic 277V <b>M1</b> = Magnetic 120V <b>M2</b> = Magnetic 277V	See Options Below

Trim	Trim Finish w/polished flange
SCC43	Cone
	SCLPF – Soft Specular Clear Alzak
For white painted flange, drop "PF" from Catalog #. For other finishes, consult reflector section.	

**Optional Accessories**

- Hanger Bars (set of 2)
  - #101782 = #520 Caddy Bars
  - #9127 = 27" C-Channel
  - #9152 = 52" C-Channel
  - 27BH = 27" Solid Bar

For Optional Reflector Finishes & Decorative elements, consult special section of catalog.

Fixture Type	Job Reference/Location
Lamp Type	Approval

**Options**

- # TL = Twist Lock Lamp Socket
- # F = Fuse and Fuse Holder
- # LW3 = Diffusing Spread Lens

All Pathway® products meet or exceed requirements as established by the National Electrical Code. Specifications subject to change without notice. Alzak® is a registered trademark of Alcoa.



Pathway Lighting Products, Inc., P.O. Box 591, Old Saybrook, CT 06475-0591  
voice 800.342.0592 • fax 800.207.0090 • www.pathwaylighting.com • e-mail: sales@pathwaylighting.com

Series 4VLV - Recessed Downlight - MR-16 Low Voltage - Open Reflector

**PHOTOMETRIC DOWNLIGHT DISTRIBUTION**

**PERFORMANCE DATA**

50W MR16 / NSP/ 12° BEAM			CEILING TO FLOOR	MULTIPLIER TABLE	
NADIR FC	12°			LAMP	MULTIPLIER
	FC	DIAMETER			
172	80	3.0'	8'	20W MR-16 NSP 8°	0.55
110	51	4.0'	10'	35W MR-16 NSP 8°	1.00
76	36	5.0'	12'	65W MR-16 NSP 10°	1.27
56	26	6.0'	14'		
43	20	7.0'	10'		

Initial Footcandles at Floor

**PERFORMANCE DATA**

50W MR16/FL 40° BEAM			CEILING TO FLOOR	MULTIPLIER TABLE	
NADIR FC	40°			LAMP	MULTIPLIER
	FC	DIAMETER			
66	15	9.0'	8'	20W MR-16 FL 40°	0.29
47	11	11.0'	9'	35W MR-16 FL 40°	0.70
36	8	12.5'	10'	65W MR-16 FL 40°	1.27
28	6	14.0'	11'		
22	5	16.0'	12'		

Initial Footcandles at 30" Work Plane

Note: Data calculated using specular clear reflectors. Results may vary due to lamp variations, as well as ambient temperature and electrical input variance. Data shown as initial footcandles without contribution from redirected light or other sources.

PHOTOMETRIC DATA, available on CD in IES format, please contact factory.