

APPLICATION

Multiple distribution quartz downlight for use in hotels, museums, churches and other applications where dimming and good color rendition are required.

PRODUCT DATA

REFLECTOR: Dual reflector system controls light output and minimizes brightness in these small aperture downlights. Multiple distributions and interchangeable reflector systems add the flexibility to compensate for changes in the space, even after installation. Lower reflector is available in multiple finishes. Upper reflector is specular clear alzak. Standard half inch flange finish matches lower reflector finish, unless otherwise specified.

HOUSING: The mounting frame is fabricated from 18 gauge zinc-plated steel, providing a solid structure for the optical and electrical components. A solid aluminum heat sink maintains the lamp within proper operating temperatures, and a tempered glass lens is installed above the lower reflector. Standard throat allows a one inch ceiling thickness. Top relamping option is available.

MOUNTING: Universal mounting brackets adjust vertically 5.5" and accept a variety of hanger bars, C-Channel, EMT or rigid bars (see optional accessories). For slope ceiling consult special section of catalog.

ELECTRICAL: Standard fixture is 120 VAC, rated for 250 Watts maximum and eight wire 90°C branch wiring. ETL/CETL damp location listed. Optional 277V input with step down transformer mounted to "J" box cover, protrudes 4", thermally protected U.L. recognized component.

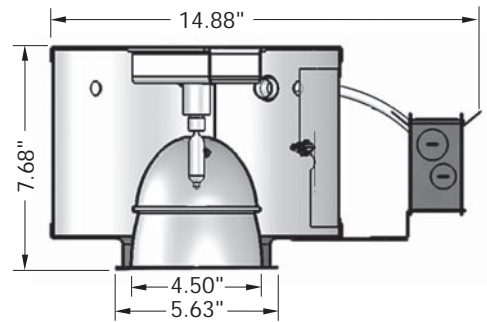
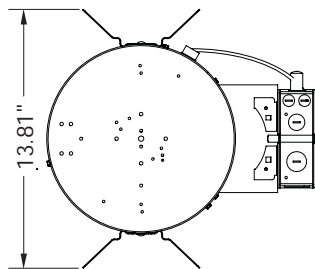
JUNCTION BOX: Heavy gauge galvanized junction box pre-wired with grounding pigtail. Easy access covers. Multiple conduit knockouts listed for through branch circuit wiring. Thermal cutout provided.

SOCKET: Ceramic socket with miniature candelabra screw base.

LAMP DATA: 100W, 150W, or 250W T4 Halogen Minican (miniature candelabra screw base) by others.

LAMP	WATTS	BASE	LIFE HRS.	LUMENS
100Q/CL(ESN)	100	MINI-CAN	1000	1900
150Q/CL(ETG)	150	MINI-CAN	2000	2800
250Q/CL(EHT)	250	MINI-CAN	2000	5000

Inside lamp, initial lumens



Rough Opening 5.13"



For Damp Location

Manufactured and tested to UL#1598 and CSA standards. Note: Suitable for damp location. Fixtures are not designed for direct contact with insulation.

Catalog Number – 4VIT4 _____

Example: 4VIT4250

Fixture Series	Lamp/Wattage	Voltage	Options
4VI	T4250	120 V Standard	See Options Below

Optional Accessories

Hanger Bars (set of 2)

#101782 = #520 Caddy Bars
#9127 = 27" C-Channel

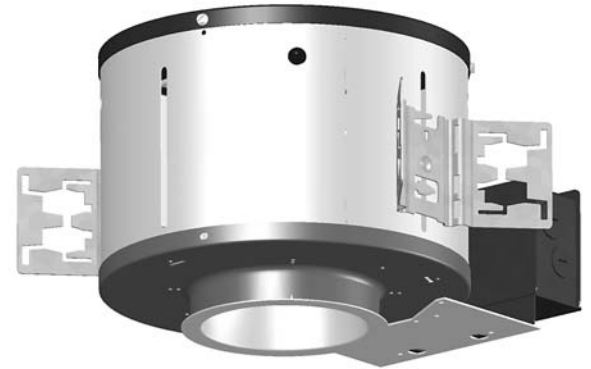
#9152 = 52" C-Channel
27BH = 27" Solid Bar

Fixture Type	Job Reference/Location
Lamp Type	Approval

Coventry
Architectural Series

SERIES 4VIT4250

Halogen Downlight 100 - 250 Watt T4 Quartz



4VIT4 _____

Example: 4VIT4NDSCLPF

Trim	Trim Finish w/polished flange
4VIT4ND	– Narrow Distribution
4VIT4MD	– Medium Distribution
4VIT4WD	– Wide Distribution
	SCLPF – Specular Clear Alzak Reflector
	SWTPF – Specular Wheat Alzak Reflector
For white painted flange, drop "PF" from Catalog #.	
For other finishes, consult reflector section.	

Options

– 227 = 277V / 120V Auto Transformer
– F = Fuse and Fuse Holder
– TR = Top Relamping

All Pathway® products meet or exceed requirements as established by the National Electrical Code. Specifications subject to change without notice. Alzak® is a registered trademark of Alcoa.

PATHWAY
the Lighting Source

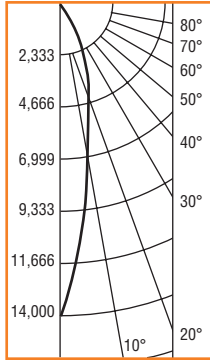
Pathway Lighting Products, Inc., P.O. Box 591, Old Saybrook, CT 06475-0591
voice 800.342.0592 • fax 800.207.0090 • www.pathwaylighting.com • e-mail: sales@pathwaylighting.com

Series 4VIT4250 - Halogen Downlight 100-250 Watt T4 Quartz

IN3.0
CDBCCA

DOWNLIGHT - 250 WATT T4 NARROW DISTRIBUTION

CANDELA DISTRIBUTION



SMH = 0.39

CANDELA

VERTICAL ANGLE	CD
0.00	13988
5.00	10756
10.00	6142
15.00	4036
20.00	3032
25.00	2186
30.00	1393
35.00	886
40.00	493
45.00	201
50.00	66
55.00	9
60.00	0
65.00	0
70.00	0
75.00	0
80.00	0
85.00	0

EFF. = 78.4%

PERFORMANCE DATA

Q250/ I. F.					CEILING TO FLOOR
Nadir		5°		10°	
FC	FC	Dia.	FC	Dia.	
155	118	1.5'	66	3.0'	12'
106	80	2.0'	45	4.0'	14'
77	58	2.0'	32	4.45'	10'
58	44	2.5'	25	5.0'	18'
46	35	3.0'	19	6.0'	20'

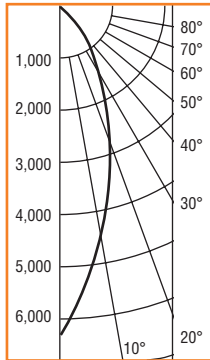
Initial Footcandles @ 30" Work Plane

AVERAGE LUMINANCE

NARROW BEAM	
Angle	CD/FT ²
45°	827
55°	29
65°	0
75°	0
85°	0

DOWNLIGHT - 250 WATT T4 MEDIUM DISTRIBUTION

CANDELA DISTRIBUTION



SMH = 0.69

CANDELA

VERTICAL ANGLE	CD
0.00	6615
5.00	5591
10.00	4382
15.00	3586
20.00	2830
25.00	2443
30.00	1816
35.00	1448
40.00	928
45.00	454
50.00	161
55.00	25
60.00	0
65.00	0
70.00	0
75.00	0
80.00	0
85.00	0

EFF. = 78.4%

PERFORMANCE DATA

Q250/ I. F.					CEILING TO FLOOR
Nadir		10°		20°	
FC	FC	Dia.	FC	Dia.	
118	76	2.5'	44	5.0'	10'
73	47	3.0'	27	6.5'	12'
50	32	4.0'	19	7.0'	14'
36	23	4.5'	13	9.5'	16'
28	18	5.0'	10	11.0'	18'

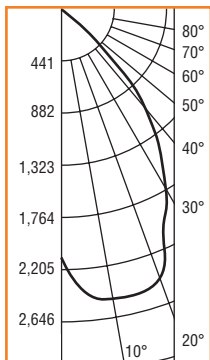
Initial Footcandles @ 30" Work Plane

AVERAGE LUMINANCE

NARROW BEAM	
Angle	CD/FT ²
45°	1860
55°	87
65°	0
75°	0
85°	0

DOWNLIGHT - 250 WATT T4 WIDE DISTRIBUTION

CANDELA DISTRIBUTION



SMH = 1.18

CANDELA

VERTICAL ANGLE	CD
0.00	2248
5.00	2377
10.00	2436
15.00	2481
20.00	2412
25.00	2320
30.00	1757
35.00	1539
40.00	1161
45.00	731
50.00	346
55.00	59
60.00	2
65.00	0
70.00	0
75.00	0
80.00	0
85.00	0

EFF. = 78.4%

PERFORMANCE DATA

Q250/ I. F.					CEILING TO FLOOR
Nadir		15°		30°	
FC	FC	Dia.	FC	Dia.	
71	74	2.5'	38	6.0'	8'
51	53	3.0'	27	7.5'	9'
38	40	4.0'	20	8.5'	10'
30	31	4.5'	16	9.5'	11'
24	25	5.0'	13	11.0'	12'

Initial Footcandles @ 30" Work Plane

AVERAGE LUMINANCE

NARROW BEAM	
Angle	CD/FT ²
45°	2975
55°	250
65°	0
75°	0
85°	0

Note: Data calculated using clear specular reflector. Results may vary due to lamp variations, as well as ambient temperature and electrical input variance. Data shown as initial footcandles without contribution from redirected light or other sources.

PHOTOMETRIC DATA, available on CD in IES format, please contact factory.