

APPLICATION

Versatile PAR20 fixture is suitable for downlighting or accent lighting in offices, retail stores, lobbies, hotels, churches and residential homes.

PRODUCT DATA

REFLECTOR: The single reflector optical system provides high efficiency, low brightness, and 50° lamp image cut-off. Torsion springs maintain a tight fit to ceiling to eliminate light leaks and facilitate easy installation. Reflectors are available in specular or matte finish, as well as a variety of standard and special finishes. A complete range of optical designs and reflector finishes allow uniform ceiling appearance. A half inch low profile, polished overlap flange is standard.

HOUSING: The housing is fabricated from 18 gauge zinc-plated steel painted matte black and provides a solid structure for the optical and electrical components as well as a platform for decorative attachments. Top cover is removable for top relamping. Standard plaster flange allows a one inch ceiling thickness.

MOUNTING: Universal mounting brackets adjust vertically 5.5" and accept a variety of hanger bars, C-Channel, EMT or rigid bars (see optional accessories). For slope ceiling consult special section of catalog.

ELECTRICAL: Standard fixture is 120 VAC, rated for 50W maximum. Optional 277V input with step down transformer mounted to "J" box cover, protrudes 4", thermally protected U.L. recognized components.

JUNCTION BOX: Heavy gauge galvanized junction box pre-wired with grounding pigtail. Easy access snap on covers. Multiple conduit knockouts listed for through branch circuit wiring. Thermal cutout provided.

SOCKET: Medium base porcelain with nickel plated screw shell

LAMP DATA: PAR20 halogen, medium base. Top relamp is standard.

Lamp	Lumens	Life Hrs.
35W PAR20*	360	2500
50W PAR20*	550	2500

*Osram Sylvania tungsten halogen Capsylite® lamps.
Note: Many different types, wattages and beam spreads for PAR 38 lamps are available.

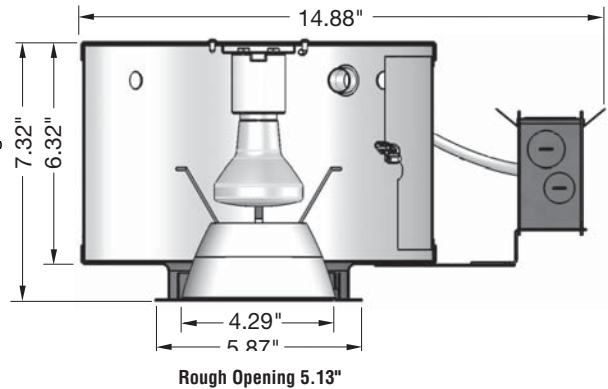
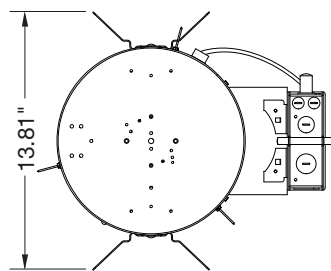


For Damp Location

Manufactured and tested to UL#1598 and CSA standards.

Note: Suitable for damp location.

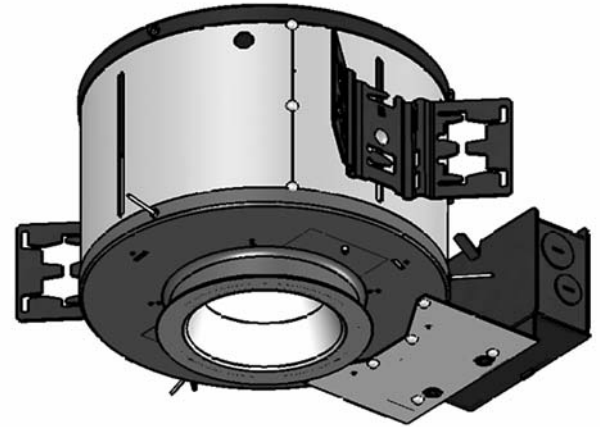
Fixtures are not designed for direct contact with insulation.



Coventry

Architectural Series

SERIES 4VIP20 PAR20 Halogen
Downlight Open Reflector



Catalog Number – 4VIP20 _____

/ SCC44 _____

Example: 4VIP20

Example: SCC44SCLPF

Fixture Series	Lamp/Wattage	Ballast/Voltage	Options
4VI	P20 (50W max.)	120 V Standard	See Options Below

Trim	Trim Finish w/polished flange
SCC44	PAR20 Cone
	SCLPF – Soft Specular Clear Alzak Reflector
For white painted flange, drop "PF" from Catalog #. For other finishes, consult reflector section.	

Optional Accessories

Hanger Bars (set of 2)

#101782 = #520 Caddy Bars

#9127 = 27" C-Channel

#9152 = 52" C-Channel

#27BH = 27" Solid Bar

Fixture Type	Job Reference/Location
Lamp Type	Approval

Options

– 277 = 277V / 120V Auto Transformer

– F = Fuse and Fuse Holder

All Pathway® products meet or exceed requirements as established by the National Electrical Code. Specifications subject to change without notice. Alzak® is a registered trademark of Alcoa.

PATHWAY
the Lighting Source

Pathway Lighting Products, Inc., P.O. Box 591, Old Saybrook, CT 06475-0591
voice 800.342.0592 • fax 800.207.0090 • www.pathwaylighting.com • e-mail: sales@pathwaylighting.com

SERIES 4VIP20 – PAR20 Halogen Downlight Open Reflector

IN1.4
CUCLCN