

APPLICATION

Small aperture A-Lamp downlight and wall wash for uniform illumination in low to medium height ceilings.

PRODUCT DATA

REFLECTOR: A high performance reflector delivers uniform illumination from this small aperture downlight. Multiple finishes allow the designer to tune the appearance of the reflector to the interior, as well as match the appearance of downlights utilizing different lamp types in the same space. A half inch low profile, polished overlap is standard. Complimentary wall washers are also offered.

HOUSING: The mounting frame is fabricated 16 gauge zinc-plated steel and provides a solid structure for the optical and electrical components as well as a platform for decorative attachments. Standard throat allows one inch ceiling thickness.

MOUNTING: Universal Mounting brackets adjust vertically 5" and accept a variety of hanger bars, C-channel, EMT or rigid bars (see optional accessories).

ELECTRICAL & LAMP:

Standard fixture is 120 VAC, rated for 100W A19 lamp maximum. Osram/Sylvania 120 Volt lamps. Other A-19 lamps are available with extended life and various lumen outputs. Optional 277V input with step down transformer mounted to "J" box cover, protrudes 4", thermally protected U.L. recognized component.

LAMP	WATTS	LIFE HRS.	LUMENS
60W A-19 I.F.	60	1000	890
75W A-19 I.F.	75	750	1210
100W A-19 I.F.	100	750	1750

Osram Sylvania – 120 Volt Lamps. Other A-19 lamps are available with extended life and various lumen output.

JUNCTION BOX: Heavy gauge galvanized junction box pre-wired with grounding pigtail. Easy access covers. Multiple conduit knockouts listed for through branch circuit wiring. Thermal cutout provided.

SOCKET: Medium base porcelain with nickel plated screw shell.



Manufactured and tested to UL#1598 and CSA standards.
Note: Suitable for damp location.

For Damp Location

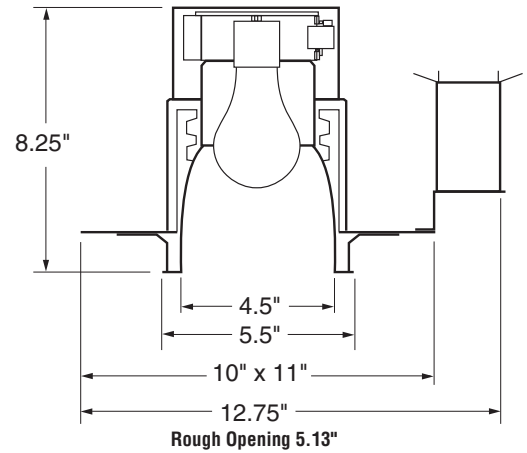
Fixtures are not designed for direct contact with insulation.

Coventry

Architectural Series

4" SERIES 4VI

Downlight / Wall Wash, A-Lamp, Open Reflector



Catalog Number – 4VIA19 _____

/ 4VISCLPF _____

Example: 4VIA19

Fixture Series	Lamp/Wattage	Transformer/Voltage	Options
4VI	A19 (100)	120 V Standard	See Options Below

Example: 4VISCLPF

Trim	Trim Finish w/polished flange
4VI	– Downlight
4VIWW	– 120° Cutout Wall Wash
4VICW	– Corner Cutout Wall Wash
4VIDW	– Double Cutout Wall Wash
	SCLPF – Soft Specular Clear Alzak Reflector
For white painted flange, drop "PF" from Catalog #. For other finishes, consult reflector section.	

Optional Accessories

Hanger Bars (set of 2)
 #101782 = #520 Caddy Bars
 #9127 = 27" C-Channel
 #9152 = 52" C-Channel
 27BH = 27" Solid Bar

Fixture Type	Job Reference/Location
Lamp Type	Approval

Options

– 277 = 277V / 120V Auto Transformer
 # – F = Fuse and Fuse Holder

All Pathway® products meet or exceed requirements as established by the National Electrical Code. Specifications subject to change without notice. Alzak® is a registered trademark of Alcoa.

Series 4VI - Downlight - Wall Wash - A-Lamp - Open Reflector

PATHWAY
the Lighting Source

Pathway Lighting Products, Inc., P.O. Box 591, Old Saybrook, CT 06475-0591
 voice 800.342.0592 • fax 800.207.0090 • www.pathwaylighting.com • e-mail: sales@pathwaylighting.com

IN1.0
CDBCCA

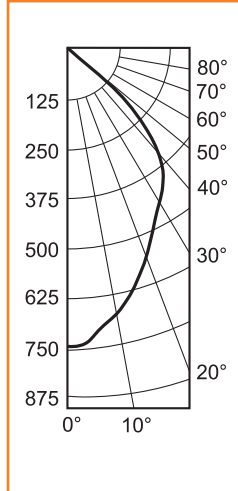
PERFORMANCE DATA

100W A19 I.F.					CEILING TO FLOOR	MULTIPLIER TABLE			
NADIR FC	15°		30°			REFLECTOR FINISH	MULTIPLIER	LAMP	MULTIPLIER
	FC	DIA.	FC	DIA.					
37	28	2.4'	15	5.2'	7'	Soft Clear	.97	60W A19 I.F.	.51
25	19	2.9'	10	6.4'	8'	Specular Gold	.97	75W A19 I.F.	.69
18	14	3.5'	7	7.5'	9'	Soft Gold	.87	100W A19 I.F.	1.00
13	10	4.0'	5	8.7'	10'	Specular Black	.70		
10	8	4.6'	4	9.8'	11'	Matte White	.95		

Single Unit Initial Footcandles at 30" Work Plane.

DOWNLIGHT - 100 WATT A19 I.F.

CANDELA DISTRIBUTION



CANDELA

Vertical Angle	Horizontal Angle
0	746
5	684
10	673
15	640
20	552
25	572
30	467
35	416
40	361
45	296
50	202
55	159
60	78
65	12
70	0
75	0
80	0
85	0

COEFFICIENTS OF UTILIZATION

PCC PW RCR	Effective Floor Cavity Reflectance = 20%																							
	80				70				50				30				10				0			
	70	50	30	10	70	50	30	10	50	30	10	50	30	10	50	30	10	50	30	10				
0	80	80	80	80	78	78	78	78	74	74	74	71	71	71	68	68	68	67						
1	75	73	71	69	73	71	70	68	69	67	66	66	65	64	62	62	62	61						
2	70	66	63	60	69	65	62	59	63	60	58	61	59	57	55	55	55	54						
3	65	60	56	53	64	59	55	52	57	54	51	55	53	50	49	49	49	48						
4	61	55	50	46	60	54	49	46	52	49	46	51	48	45	43	43	43	43						
5	57	50	45	41	56	49	45	41	48	44	41	47	43	40	39	39	39	39						
6	53	46	41	37	52	45	40	37	44	40	37	43	39	36	35	35	35	35						
7	50	42	37	33	49	41	37	33	40	36	33	40	36	33	32	32	32	32						
8	46	39	34	30	46	38	34	30	37	33	30	37	33	30	29	29	29	29						
9	44	36	31	28	43	35	31	28	35	31	28	34	30	27	26	26	26	26						
10	41	33	29	26	40	33	28	25	32	28	25	32	28	25	24	24	24	24						

AVERAGE LUMINANCE

Narrow Beam	
Angle	CD/FT ²
45°	900
55°	448
65°	32
75°	0
85°	0

SMH = 1.00

EFF. = 66.0%

PFC = 0.20

WALL WASH - 100 WATT A19 I.F.

WALL WASH DATA CHART

Distance From Ceiling	2' O.C.; 2' Set Back		3' O.C.; 3' Set Back		4' O.C.; 3' Set Back	
	Below Fixtures	Between Fixtures	Below Fixtures	Between Fixtures	Below Fixtures	Between Fixtures
.5"	13	13	4	4	4	3
1.5"	33	30	11	10	9	7
2.5"	36	36	15	15	13	11
3.5"	30	30	16	16	13	12
4.5"	21	21	15	15	12	12
5.5"	15	15	13	12	10	10
6.5"	10	11	10	10	8	8
7.5"	8	7	8	8	6	6
8.5"	6	5	6	6	5	5
9.5"	4	4	5	5	4	4

Initial Vertical Footcandles on Wall

NOTE: Data calculated using specular clear reflectors. Results may vary. Data shown as initial footcandles without contribution from redirected light or other sources. Kicker reflector is provided clear, regardless of reflector finish, unless specified otherwise.

PHOTOMETRIC DATA, available on CD in IES format, please contact factory.