

APPLICATION

Light-Squares™ recessed downlights are ideal for low to medium height ceilings where an architecturally pleasing square aperture is desired. MR16 halogen provides uniform illumination of vertical surfaces and is ideal for areas where good color rendition is desired.

PRODUCT DATA

REFLECTOR: High efficiency wall wash optical design utilizes an additional kicker reflector and prismatic lens, to assure uniform light diffusion over wall surface. Heavy gauge spring clips maintain a tight fit to ceiling to eliminate light leaks and facilitate easy installation. A one half inch low profile, polished overlap flange is standard and features a dieformed cover to eliminate appearance of mitered corners. Available in a variety of matte Alzak® finishes as well as a textured corrugated style (CRG).

HOUSING: A fabricated 18 gauge matte black steel housing provides a secure mounting platform for the electrical components and protects the optical assembly. Top cover is removable for top relamping. Standard plaster flange allows one inch ceiling thickness. Custom depth available by contacting our sales department. Low voltage transformer is accessible from below.

MOUNTING: Universal mounting brackets adjust vertically 5.5" and accept a variety of hanger bars, C-Channel, EMT or rigid bars (see optional accessories).

ELECTRICAL: An electronic low voltage transformer is internally mounted and accessible from below. Transformer has a maximum full load rating of 75 watts and 12 volts AC, with internal circuit breaker. ETL/CETL damp location listed for eight wire 90°C branch wiring. Optional 277V input with step down transformer mounted to "J" box cover, protrudes 4", thermally protected U.L. recognized component. Optional magnetic ballasts may be specified.

JUNCTION BOX: Heavy gauge galvanized junction box pre-wired with grounding pigtail. Easy access covers. Multiple conduit knockouts listed for through branch circuit wiring.

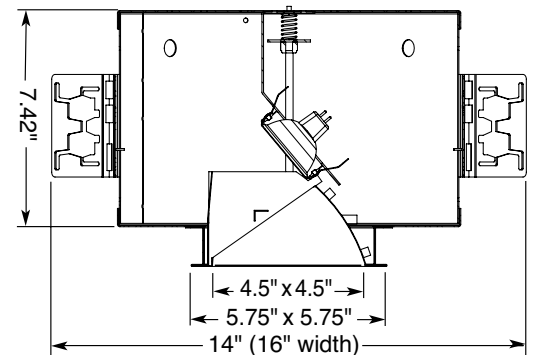
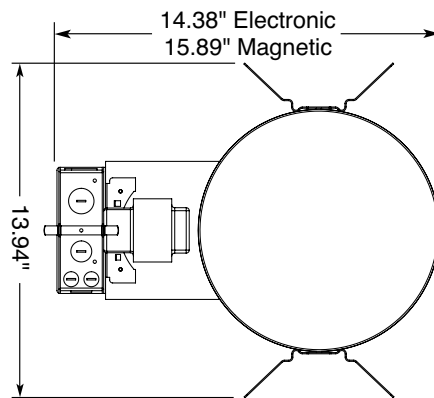
LAMP DATA: 12 Volt MR16, 75 watts maximum, high temperature porcelain bi-pin socket.

IES PHOTOMETRIC REPORT:

ITL 56695 (HAZ)
ITL 56696 (CRG)



FOR WET LOCATION *Manufactured and tested to UL#1598 and CSA standards.*
UNDER COVERED CEILING *Fixtures are not designed for direct contact with insulation.*



Rough Opening: 5.125" x 5.125"

Catalog Number – 4SQWWMR _____

Example: 4SQWWMR1675E1

Fixture Series	Lamp/Wattage	Ballast/Voltage	Options
4SQWW	MR16 75	E1 / Electronic 120V E2 / Electronic 277V M1 / Magnetic 120V M2 / Magnetic 277V	F = Fused

Optional Accessories

Hanger Bars (set of 2)

#101782 = #520 Caddy Bars #9152 = 52" C-Channel
#9127 = 27" C-Channel #27BH = 27" Solid Bar
#24CBH = 24" one-piece B-Line C-Channel hanger bar

Fixture Type	Job Reference/Location
Lamp Type	Approval

/ 4SQHLWW _____

Example: 4SQHLWWHAZPF

Trim	Trim Finish w/polished flange
4SQHLWW –	Wall Wash Reflector with HAZPF – Matte Haze Alzak CRG – Clear Corrugated Texture on Reflector and Flange
<i>For white painted flange, drop "PF" from Catalog #. For other finishes, consult reflector section.</i>	

All Pathway® products meet or exceed requirements as established by the National Electrical Code. Specifications subject to change without notice. Alzak® is a registered trademark of Alcoa.



Pathway Lighting Products, Inc., P.O. Box 591, Old Saybrook, CT 06475-0591
voice 800.342.0592 • fax 800.207.0090 • www.pathwaylighting.com • e-mail: sales@pathwaylighting.com



SERIES 4SQWWMR16

Square Aperture Wall Wash MR16

LIGHT-SQUARES™

Series 4SQWWMR16 - Square Aperture Wall Wash MR16