

**APPLICATION**

Light-Squares™ recessed downlights are ideal for low to medium height ceilings where an architecturally pleasing square aperture is desired. MR16 halogen downlight is ideal for areas where good color rendition is necessary.

**PRODUCT DATA**

**REFLECTOR:** Heavy gauge spring clips maintain a tight fit to ceiling to eliminate light leaks and facilitate easy installation. A one half inch low profile, polished overlap flange is standard and features a dieformed cover to eliminate appearance of mitered corners. Available in a variety of matte Alzak® finishes as well as a textured corrugated style (CRG).

**HOUSING:** A fabricated 18 gauge matte black steel housing provides a secure mounting platform for the electrical components and protects the optical assembly. Top cover is removable for top relamping. Standard plaster flange allows one inch ceiling thickness. Custom depths are available by contacting our sales department. Low voltage transformer is accessible from below.

**MOUNTING:** Universal mounting brackets adjust vertically 5.5" and accept a variety of hanger bars, C-Channel, EMT or rigid bars (see optional accessories).

**ELECTRICAL:** An electronic low voltage transformer is internally mounted and accessible from below. Transformer has a maximum full load rating of 75 watts and 12 volts AC, with internal circuit breaker. ETL/CETL damp location listed for eight wire 90°C branch wiring. Optional 277V input with step down transformer mounted to "J" box cover, protrudes 4", thermally protected U.L. recognized component. Optional magnetic ballasts may be specified.

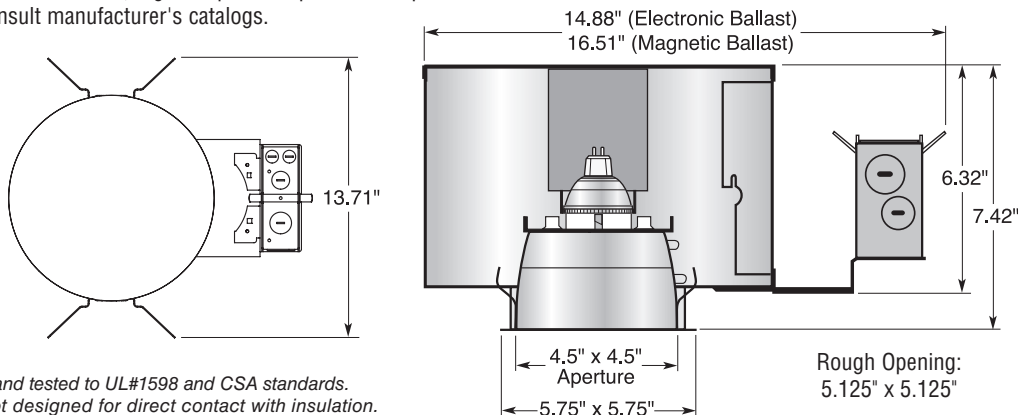
**JUNCTION BOX:** Heavy gauge galvanized junction box pre-wired with grounding pigtail. Easy access covers. Multiple conduit knockouts listed for through branch circuit wiring.

**LAMP DATA:** 12 Volt MR16, 75 watts maximum, high temperature porcelain bi-pin socket. For lamp performance data consult manufacturer's catalogs.



**SERIES 4SQMR16**  
Square Aperture MR16 Downlight

**LIGHT-SQUARES™**



FOR WET LOCATION UNDER COVERED CEILING *Manufactured and tested to UL#1598 and CSA standards. Fixtures are not designed for direct contact with insulation.*

**Catalog Number – 4SQ** \_\_\_\_\_ / **4SQH** \_\_\_\_\_

Example: 4SQMR1675E1

Example: 4SQHHAZPF

Fixture Series	Lamp/Wattage	Ballast/Voltage	Options
4SQ	MR16 75	E1 / Electronic 120V E2 / Electronic 277V M1 / Magnetic 120V M2 / Magnetic 277V	F = Fused L7 = Micro Prismatic Lens

Trim	Trim Finish w/polished flange
4SQH	– Open Reflector
	HAZPF – Matte Haze Alzak
	CRG – Clear Corrugated Texture

*For white painted flange, drop "PF" from Catalog #.  
For other finishes, consult reflector section.*

**Optional Accessories**

Hanger Bars (set of 2)

- #101782 = #520 Caddy Bars      #9152 = 52" C-Channel
- #9127 = 27" C-Channel      #27BH = 27" Solid Bar
- #24CBH = 24" one-piece B-Line C-Channel hanger bar

Fixture Type	Job Reference/Location
Lamp Type	Approval

All Pathway® products meet or exceed requirements as established by the National Electrical Code. Specifications subject to change without notice. Alzak® is a registered trademark of Alcoa.



Pathway Lighting Products, Inc., P.O. Box 591, Old Saybrook, CT 06475-0591  
voice 800.342.0592 • fax 800.2070090 • www.pathwaylighting.com • e-mail: sales@pathwaylighting.com

Series 4SQMR16 - Square Aperture MR16 Downlight

SQ3.1  
UMUBCA