

APPLICATION

Light-Squares™ recessed downlights are ideal for low to medium height ceilings where a medium distribution and architecturally pleasing square aperture are desired. Wall wash reflector optics delivers uniform illumination to vertical surfaces.

PRODUCT DATA

REFLECTOR: The specular upper reflector and lower soft specular splay trim offer excellent efficiency and low brightness. A complete range of textures and finishes are available to complement any décor. Diagonal prismatic lens enhances distribution and visual comfort. A one half inch low profile overlap flange is standard and features a die-formed cover to eliminate appearance of mitered corners.

MECHANICAL: The housing is fabricated 20 gauge steel with galvanized finish and ventilated for heat dissipation. Integral universal vertical mounting brackets are provided to accept a variety of hanger bars. Standard aperture throat allows for one-inch ceiling thickness. Ballast is accessible through aperture.

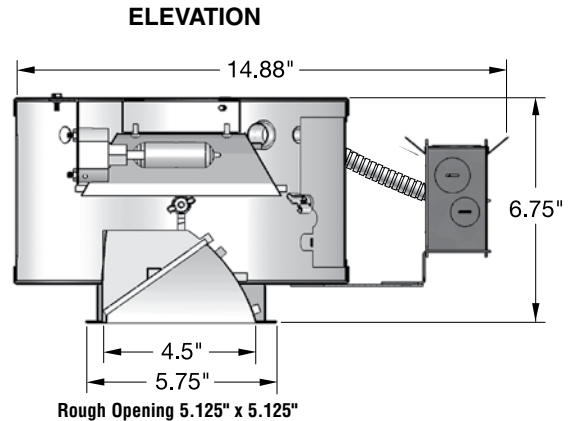
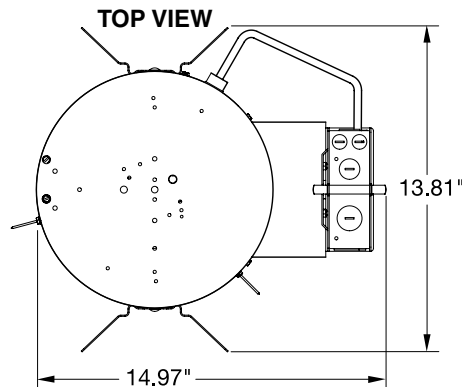
ELECTRICAL: 120 Volt standard.

JUNCTION BOX: Heavy gauge galvanized junction box pre-wired to ballast quick connector. Easy access covers. Multiple conduit knockouts listed for through branch circuit wiring.

LAMP DATA: 100W or 150W T4 Halogen Minican (miniature candelabra screw base) by others.

LAMP	WATTS	BASE	LIFE HRS.	LUMENS
100Q/CL(ESN)	100	MINI-CAN	1000	1900
150Q/CL(ETG)	150	MINI-CAN	2000	2800

Inside lamp, initial lumens



FOR WET

LOCATION UNDER COVERED CEILING

Manufactured and tested to UL#1598 and CSA standards.
Note: Fixtures are not designed for direct contact with insulation.

Catalog Number – 4SQHIT4 _____

Example: 4SQHIT4

Fixture Series	Lamp/Wattage	Ballast/Voltage	Options
4SQHIT4	T4 Halogen (100W Max.)	120 Volt – Standard	F = Fuse and Fuse Holder

/ 4SQHT4LWW _____

Example: 4SQHT4LWWSCLPF

Trim	Trim Finish w/polished flange
4SQHT4LWW	– Lensed Wall Wash
	SCLPF – Soft Specular Clear Alzak
For white painted flange, drop "PF" from Catalog #. For other finishes, consult reflector section.	

Optional Accessories

Hanger Bars (set of 2)

#101782 = #520 Caddy Bars	9152 = 52" C-Channel
#9127 = 27" C-Channel	27BH = 27" Solid Bar
#24CBH = 24" one-piece B-Line C-Channel hanger bar	

Fixture Type	Job Reference/Location
Lamp Type	Approval

All Pathway® products meet or exceed requirements as established by the National Electrical Code. Specifications subject to change without notice. Alzak® is a registered trademark of Alcoa.

PATHWAY
the Lighting Source

Pathway Lighting Products, Inc., P.O. Box 591, Old Saybrook, CT 06475-0591
voice 800.342.0592 • fax 800.207.0090 • www.pathwaylighting.com • e-mail: sales@pathwaylighting.com

Coventry
Architectural Series

SERIES 4SQHIT4WW

Square Aperture Wall Wash Horizontal T4 Halogen

LIGHT-SQUARES™



Series 4SQHIT4WW - Square Aperture Wall Wash Horizontal T4 Halogen

SQ15.6
CRMACD