

APPLICATION

Light-Squares™ recessed downlights are ideal for low to medium height ceilings where an architecturally pleasing square aperture is desired. Wall reflector optics deliver uniform illumination to vertical surfaces. Halogena® lamp provides high CRI and 3000 hour lamp life. Suitable for lighting in stores, museums, offices, and residential homes.

PRODUCT DATA

REFLECTOR: Two part reflector features a diagonal prismatic lens for uniform illumination of vertical surfaces. Heavy gauge spring clips maintain a tight fit to ceiling to eliminate light leaks and facilitate easy installation. A one half inch low profile overlap flange is standard and features a dieformed cover to eliminate appearance of mitered corners. A variety of reflector finishes is offered in order to provide maximum flexibility to the designer.

HOUSING: A fabricated 18 gauge steel housing is powder coated matte black and provides a secure mounting platform for the electrical components and protects the optical assembly. Top cover is removable for top relamping. The standard plaster flange allows for one inch ceiling thickness with custom depths available.

MOUNTING: Universal mounting brackets adjust vertically 5.5" and accepts a variety of hanger bars, C-channel, EMT or rigid bars (see options).

ELECTRICAL: Standard fixture is 120 VAC, rated for 150 Watts. Optional 277V input with step down transformer mounted to "J" box cover, protrudes 4", thermally protected U.L. recognized component.

JUNCTION BOX: Heavy gauge galvanized junction box pre-wired to ballast with grounding pigtail. Easy access snap on covers. Multiple conduit knockouts listed for through branch circuit wiring. Thermal cutout provided.

SOCKET: Medium base porcelain with nickel plated brass screw shell.

LAMP DATA: BT-15 Halogena®* or A19, medium base, 150 Watt maximum. Consult the lamp manufacturers for the most current data pertaining to the lamp.

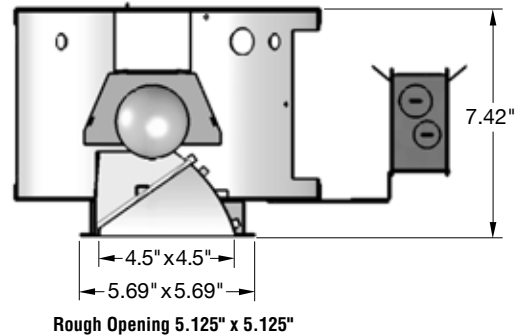
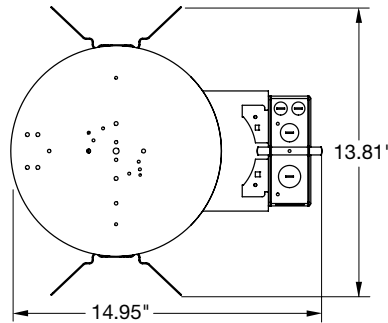
Lamp	Lumens	Life Hrs.
BT-15 60W	900	3000
BT-15 75W	1120	3000
BT-15 100W	1670	3000
BT-15 150W	2650	3000

* Halogena® is a registered trademark of Philips Lighting Company.



FOR DAMP LOCATION

Manufactured and tested to UL#1598 and CSA standards.
Note: Suitable for damp location.
Fixtures are not designed for direct contact with insulation.



Rough Opening 5.125" x 5.125"

Catalog Number – 4SQHIW _____

Example: 4SQHIWA19

Fixture Series	Lamp/Wattage	Ballast/Voltage	Options
4SQHIW	A19 (150W A19 or BT15 Halogena®)	120 V Standard	See Options Below

Optional Accessories

Hanger Bars (set of 2)

- #101782 = #520 Caddy Bars
- #9127 = 27" C-Channel
- #9152 = 52" C-Channel
- #27BH = 27" Solid Bar

Fixture Type	Job Reference/Location
Lamp Type	Approval

/ 4SQHIW _____

Example: 4SQHIWSCLPF

Trim	Trim Finish w/polished flange
4SQHIW	Lensed Wall Wash Reflector
SCLPF	Soft Specular Clear Alzak
For white painted flange, drop "PF" from Catalog #. For other finishes, consult reflector section.	

Options

- # - 277 = 277V / 120V Auto Transformer
- # - F = Fuse and Fuse Holder

All Pathway® products meet or exceed requirements as established by the National Electrical Code. Specifications subject to change without notice. Alzak® is a registered trademark of Alcoa.



Pathway Lighting Products, Inc., P.O. Box 591, Old Saybrook, CT 06475-0591
voice 800.342.0592 • fax 800.207.0090 • www.pathwaylighting.com • e-mail: sales@pathwaylighting.com

Series 4SQHIW - Square Aperture Wall Wash Halogena® or A19

SQ15.0
UMUBCA