

APPLICATION

Light-Squares™ recessed downlights are ideal for low to medium height ceilings where an architecturally pleasing square aperture is desired. Adjustable PAR30 downlight provides directional accent lighting in stores, museums, offices, and residential homes. Also suitable for sloped ceiling applications.

PRODUCT DATA

REFLECTOR: The PAR30 square aperture adjustable downlight features a 359° horizontal and 35° vertical adjustment. The dual locking mechanism insures that the fixture stays aimed after being relamped. Heavy gauge spring clips maintain a tight fit to ceiling to eliminate light leaks and facilitate easy installation. A one half inch low profile, polished overlap flange is standard and features a dieformed cover to eliminate appearance of mitered corners. Available in a variety of matte Alzak® finishes as well as a textured corrugated style (CRG shown).

HOUSING: A fabricated 18 gauge steel housing is powder coated matte black and provides a secure mounting platform for the electrical components and protects the optical assembly. Top cover is removable for top relamping. The standard plaster flange allows for one inch ceiling thickness with custom depths available. Housing is painted flat black.

MOUNTING: Universal mounting brackets adjust vertically 5.5" and accepts a variety of hanger bars, C-channel, EMT or rigid bars (see options).

ELECTRICAL: Standard fixture is 120 VAC, rated for 75 Watts. Optional 277V input with step down transformer mounted to "J" box cover, protrudes 4", thermally protected U.L. recognized component.

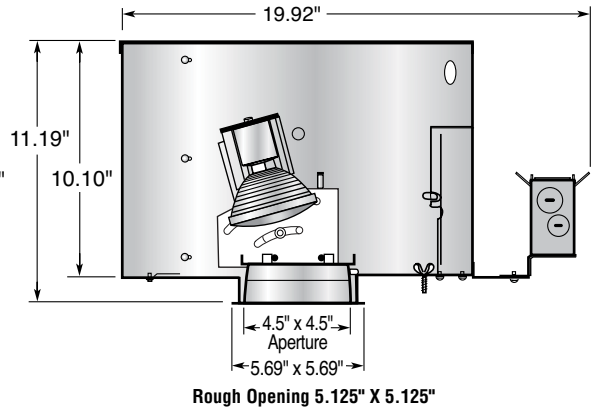
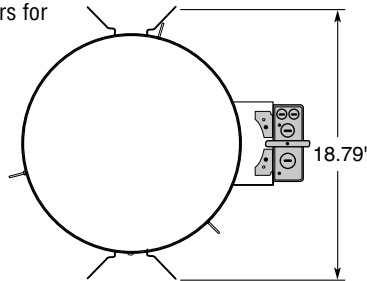
JUNCTION BOX: Heavy gauge galvanized junction box pre-wired to ballast with grounding pigtail. Easy access snap on covers. Multiple conduit knockouts listed for through branch circuit wiring. Thermal cutout provided.

SOCKET: Medium base porcelain with nickel plated brass screw shell.

LAMP DATA: PAR30 halogen, long or short neck medium base. Consult the lamp manufacturers for the most current data pertaining to the lamp.

Lamp	Lumens	Life Hrs.
50W PAR30*	600	2500
60W PAR30*	830	2500
75W PAR30*	1100	2500

* Osram Sylvania tungsten halogen capsylite lamps.
Note: Many different types, wattages and beam spreads are available.



Listed
FOR DAMP LOCATION

Manufactured and tested to UL#1598 and CSA standards.
Note: Suitable for damp location.
Fixtures are not designed for direct contact with insulation.

Catalog Number – 4SQAIP30

Example: 4SQAIP30

Fixture Series	Lamp/Wattage	Ballast/Voltage	Options
4SQA	P30 – Short Neck P30LN – Long Neck (75W max.)	120 V Standard	See Options Below

Optional Accessories

Hanger Bars (set of 2)

#101782 = #520 Caddy Bars #9152 = 52" C-Channel
#9127 = 27" C-Channel #27BH = 27" Solid Bar

Fixture Type	Job Reference/Location
Lamp Type	Approval

/ 4SQA

Example: 4SQAHAZPF

Trim	Trim Finish w/polished flange
4SQA	Square Reflector
HAZPF	Matte Finish Clear Alzak
CRG	Clear Corrugated Texture

For white painted flange, drop "PF" from Catalog #.
For other finishes, consult reflector section.

Options

– 277 = 277V / 120V Auto Transformer
– F = Fuse and Fuse Holder

All Pathway® products meet or exceed requirements as established by the National Electrical Code. Specifications subject to change without notice. Alzak® is a registered trademark of Alcoa.

PATHWAY®
the Lighting Source

Pathway Lighting Products, Inc., P.O. Box 591, Old Saybrook, CT 06475-0591
voice 800.342.0592 • fax 800.207.0090 • www.pathwaylighting.com • e-mail: sales@pathwaylighting.com

Coventry
Architectural Series

SERIES 4SQAIP30 Square Aperture
Adjustable Downlight PAR30 Halogen

LIGHT-SQUARES™



Series 4SQAIP30 - Square Aperture Adjustable Downlight PAR30 Halogen

S05.0
CNCBCA