

APPLICATION

Light-Squares™ recessed downlights are ideal for low to medium height ceilings where an architecturally pleasing square aperture is desired. Adjustable PAR20 downlight provides directional accent lighting in stores, museums, offices, and residential homes. Also suitable for sloped ceiling applications.

PRODUCT DATA

REFLECTOR: Adjustable downlight features 359° horizontal and 45° vertical adjustment. The dual locking mechanism insures that the fixture stays aimed after being relamped. Heavy gauge spring clips maintain a tight fit to ceiling to eliminate light leaks and facilitate easy installation. A one half inch low profile, polished overlap flange is standard and features a dieformed cover to eliminate appearance of mitered corners. Available in a variety of matte Alzak® finishes as well as a textured corrugated style (CRG shown).

HOUSING: A fabricated 18 gauge steel housing is powder coated matte black and provides a secure mounting platform for the electrical components and protects the optical assembly. Top cover is removable for top relamping. The standard plaster flange allows for one inch ceiling thickness with custom depths available.

MOUNTING: Universal mounting brackets adjust vertically 5.5" and accepts a variety of hanger bars, C-channel, EMT or rigid bars (see options).

ELECTRICAL: Standard fixture is 120 VAC. Optional 277V input with step down transformer mounted to "J" box cover, protrudes 4", thermally protected U.L. recognized component.

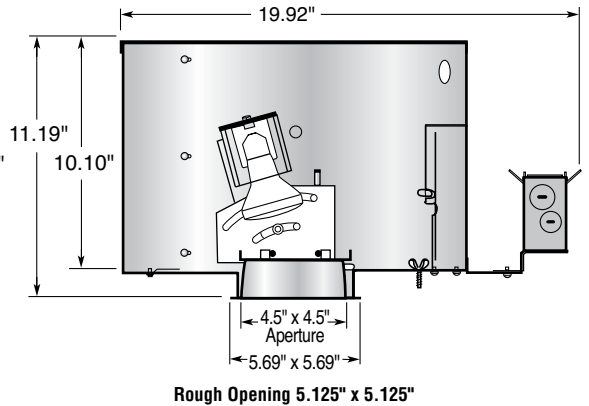
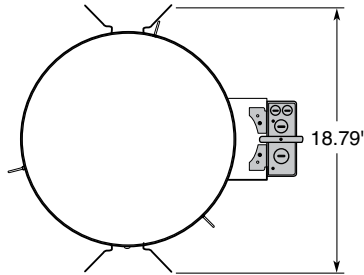
JUNCTION BOX: Heavy gauge galvanized junction box pre-wired to ballast with grounding pigtail. Easy access snap on covers. Multiple conduit knockouts listed for through branch circuit wiring. Thermal cutout provided.

SOCKET: Medium base porcelain with nickel plated brass screw shell.

LAMP DATA: PAR20 halogen, medium base. Consult the lamp manufacturers for the most current data pertaining to the lamp.

Lamp	Lumens	Life Hrs.
35W PAR20*	360	2500
50W PAR20*	550	2500

* Osram Sylvania tungsten halogen capsylite lamps.
Note: Many different types, wattages and beam spreads are available.



Listed
FOR DAMP
LOCATION

Manufactured and tested to UL#1598 and CSA standards.
Note: Suitable for damp location.
Fixtures are not designed for direct contact with insulation.

Catalog Number – 4SQAIP20

Example: 4SQAIP20

Fixture Series	Lamp/Wattage	Ballast/Voltage	Options
4SQA	P20 (75W max.)	120 V Standard	See Options Below

Optional Accessories

Hanger Bars (set of 2)

#101782 = #520 Caddy Bars #9152 = 52" C-Channel
#9127 = 27" C-Channel #27BH = 27" Solid Bar

Fixture Type	Job Reference/Location
Lamp Type	Approval

/ 4SQA

Example: 4SQAHAZPF

Trim	Trim Finish w/polished flange
4SQA	Square Reflector Trim
HAZPF	Matte Finish Clear Alzak
CRG	Clear Corrugated Texture
For white painted flange, drop "PF" from Catalog #. For other finishes, consult reflector section.	

Options

– 277 = 277V / 120V Auto Transformer
– F = Fuse and Fuse Holder

All Pathway® products meet or exceed requirements as established by the National Electrical Code. Specifications subject to change without notice. Alzak® is a registered trademark of Alcoa.

PATHWAY
the Lighting Source

Pathway Lighting Products, Inc., P.O. Box 591, Old Saybrook, CT 06475-0591
voice 800.342.0592 • fax 800.207.0090 • www.pathwaylighting.com • e-mail: sales@pathwaylighting.com

Coventry
Architectural Series

SERIES 4SQAIP20 Square Aperture
Adjustable Downlight PAR20 Halogen

LIGHT-SQUARES™



Series 4SQAIP20 - Square Aperture Adjustable Downlight PAR20 Halogen

S06.0
CNCBCA