

APPLICATION

Small aperture adjustable low voltage downlight for accent lighting as well as for sloped ceilings. A variety of lamps provide an array of distribution patterns.

PRODUCT DATA

REFLECTOR: The parabolic reflector redirects spill light from the lamp, and eliminates high angle glare. The cut-cone reflector and lamp assembly are mounted to the rotation ring which allows for 359° horizontal and 45° vertical adjustment. The dual locking mechanism insures that the fixture stays aimed after being relamped. Torsion springs maintain a tight fit to ceiling to eliminate light leaks and facilitate easy installation. A one half inch low profile, polished overlap flange is standard. Specular Clear Alzak is standard as well as custom reflector finishes in order to provide maximum flexibility to the designer. Consult the lamp manufacturers for the most current data pertaining to the lamp.

HOUSING: A fabricated 18 gauge matte black steel housing provides a secure mounting platform for the electrical components and protects the optical assembly. Top cover is removable for top relamping. Standard plaster flange allows one inch ceiling thickness with custom depth available. Low voltage transformer is accessible from below.

MOUNTING: Universal mounting brackets adjust vertically 5.5" and accept a variety of hanger bars, C-Channel, EMT or rigid bars (see optional accessories). For slope ceiling consult special section of catalog.

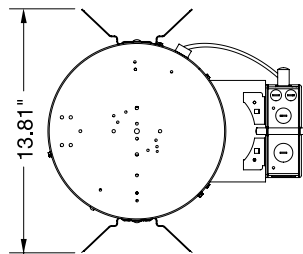
ELECTRICAL: (E1) A 120V or (E2) 277V electronic low voltage transformer is internally mounted and accessible from below. Transformer has a maximum full load rating of 75 watts, with internal circuit protection. Optional magnetic (M1) 120V or (M2) 277V transformer. ETL/CETL damp location listed for eight wire 90°C branch wiring.

JUNCTION BOX: Heavy gauge galvanized junction box pre-wired with grounding pigtail. Easy access covers. Multiple conduit knockouts listed for through branch circuit wiring.

SOCKET: MR16, 75 watts maximum, high temperature porcelain bi-pin socket.

LAMP DATA: Osram/Sylvania - Beam Spread listed is at 50% CBCP. For current data please consult manufacturer's catalogs. Top relamp is standard.

Lamp	Watts	Life Hrs.	CBCP	Spread
20MR-16/NSP	20	4,000	6,000	8°
20MR-16/FL	20	4,000	700	40°
35MR-16/NSP	35	4,000	11,000	8°
35MR-16/FL	35	4,000	1,400	40°
50MR-16/NSP	50	4,000	11,000	12°
50MR-16/FL	50	4,000	2,000	40°
65MR-16/NSP	65	4,000	14,000	10°
65MR-16/FL	65	4,000	2,100	40°



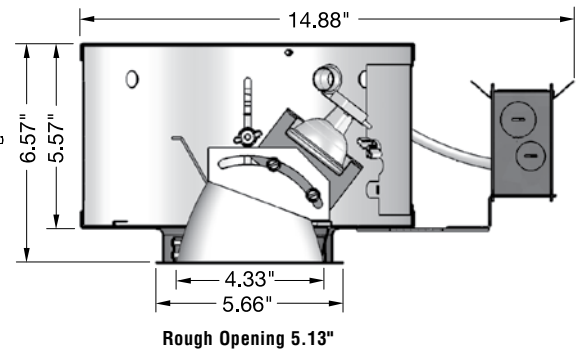
For Damp Location

Manufactured and tested to UL#1598 and CSA standards.

Note: Suitable for damp location. Fixtures are not designed for direct contact with insulation.

Coventry
Architectural Series

SERIES 4ALV Recessed Adjustable Downlight Accent MR-16 Low Voltage Open Reflector



Catalog Number – 4ALV

Example: 4ALVMR1675EI-LW2

Fixture Series	Lamp/Wattage	Ballast/Voltage	Options
4ALV	MR1675	E1 = Electronic 120V E2 = Electronic 277V M1 = Magnetic 120V M2 = Magnetic 277V	See Options Below

Optional Accessories

Hanger Bars (set of 2)

#101782 = #520 Caddy Bars

#9127 = 27" C-Channel

#9152 = 52" C-Channel

27BH = 27" Solid Bar

For Optional Reflector Finishes & Decorative elements, consult special section of catalog.

Fixture Type	Job Reference/Location
Lamp Type	Approval

/ ACC43

Example: ACC43SCLPF

Trim	Trim Finish w/polished flange
ACC43 30° Cut-out Cone	SCLPF – Soft Specular Clear Alzak
For white painted flange, drop "PF" from Catalog #. For other finishes, consult reflector section.	

Options

TL = Twist Lock Lamp Socket

F = Fuse and Fuse Holder

LW2 = Linear Lens

LW3 = Diffusing Spread Lens

All Pathway® products meet or exceed requirements as established by the National Electrical Code. Specifications subject to change without notice. Alzak® is a registered trademark of Alcoa.

PATHWAY
the Lighting Source

Pathway Lighting Products, Inc., P.O. Box 591, Old Saybrook, CT 06475-0591
voice 800.342.0592 • fax 800.207.0090 • www.pathwaylighting.com • e-mail: sales@pathwaylighting.com

SERIES 4ALV – Recessed Adjustable Accent Downlight MR-16 Low Voltage Open Reflector

LV2.0
CRUBCN

DOWNLIGHT DISTRIBUTION

LAMP PERFORMANCE DATA

Distance	Beam Diameter	Footcandles Beam Center	Footcandles Beam Edge
4'	2.9'	116	48
6'	4.4'	67	21
8'	5.8'	29	12
10'	7.3'	19	8
12'	8.7'	13	5

Q50MR16/C 40° Flood 1850 Center Beam Candlepower

LAMP PERFORMANCE DATA

Distance	Beam Diameter	Footcandles Beam Center	Footcandles Beam Edge
5'	1.3'	408	199
10'	2.6'	102	50
15'	3.9'	45	22
20'	5.3'	26	12
25'	6.6'	16	8

Q50 MR16/C 15° NSP 10,200 Center Beam Candlepower

Note: Beam angle is 50% of maximum center beam candlepower. Footcandles shown are on a plane normal to the center line of the beam. When the beam is aimed at an angle to horizontal or vertical surfaces, these values must be cosine or sine corrected, respectively. The MR16 lamp data are taken from published information by General Electric and they are for Constant Color lamps. Results may vary due to lamp and transformer variations, as well as ambient temperature and electrical input variance. Data shown are initial footcandles from a single unit without contribution from redirected light or other sources.

PHOTOMETRIC DATA, available on CD in IES format, please contact factory.