

**APPLICATION**

Adjustable PAR20 downlight for directional accent lighting in stores, museums, offices, and residential homes. Also suitable for sloped ceiling applications.

**PRODUCT DATA**

**REFLECTOR:** The PAR20 adjustable downlight reflector eliminates high angle glare and redirects spill light into the space. The cut-cone reflector and lamp assembly are mounted to the rotation ring which allows for 359° horizontal and 45° vertical adjustment. The dual locking mechanism insures that the fixture stays aimed after being relamped. Torsion springs maintain a tight fit to ceiling to eliminate light leaks and facilitate easy installation. A one half inch low profile, polished overlap flange is standard. Specular Clear Alzak is standard as well as custom reflector finishes in order to provide maximum flexibility to the designer. Consult the lamp manufacturers for the most current data pertaining to the lamp.

**HOUSING:** The housing is fabricated from 18 gauge zinc-plated steel painted matte black and provides a solid structure for the optical and electrical components as well as a platform for decorative attachments. Top cover is removable for top relamping. Standard plaster flange allows a one inch ceiling thickness.

**MOUNTING:** Universal mounting brackets adjust vertically 5.5" and accepts a variety of hanger bars, C-channel, EMT or rigid bars (see options).

**ELECTRICAL:** Standard fixture is 120 VAC, rated for 50 Watts. Optional 277V input with step down transformer mounted to "J" box cover, protrudes 4", thermally protected U.L. recognized component.

**JUNCTION BOX:** Heavy gauge galvanized junction box pre-wired to ballast with grounding pigtail. Easy access snap on covers. Multiple conduit knockouts listed for through branch circuit wiring. Thermal cutout provided.

**SOCKET:** Medium base porcelain with nickel plated brass screw shell.

**LAMP DATA:** PAR20 halogen, medium base. Top relamp is standard.

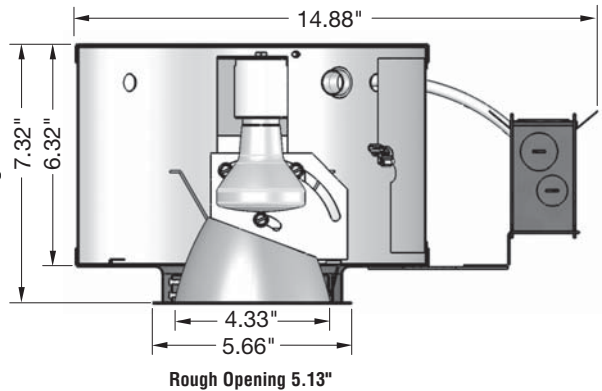
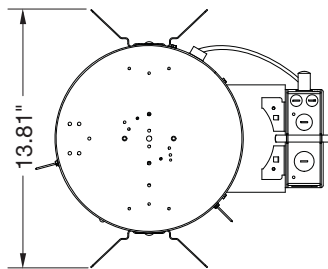
Lamp	Lumens	Life Hrs.
35W PAR20*	360	2500
50W PAR20*	550	2500

\* Osram Sylvania tungsten halogen Capsylite® lamps.  
Note: Many different types, wattages and beam spreads for PAR 20 lamps are available.

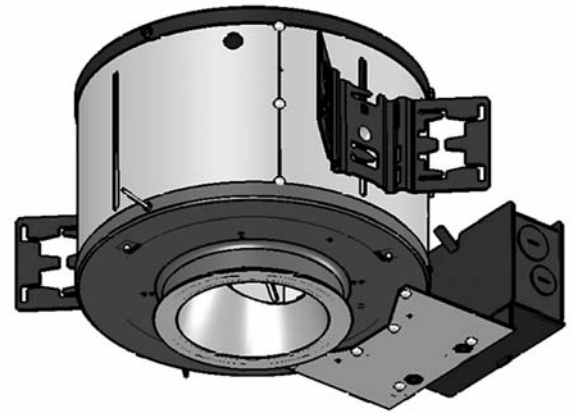


Manufactured and tested to UL#1598 and CSA standards.  
Note: Suitable for damp location.

For Damp Location Fixtures are not designed for direct contact with insulation.



**SERIES 4AIP20** Adjustable  
Downlight PAR20 Halogen Open Reflector



Series 4AIP20 — Adjustable Downlight PAR 20 Halogen Open Reflector

**Catalog Number – 4AIP20**

Example: 4AIP20

Fixture Series	Lamp/Wattage	Ballast/Voltage	Options
4AI	P20 (50W max.)	120 V Standard	See Options Below

**Optional Accessories**

Hanger Bars (set of 2)

- #101782 = #520 Caddy Bars
- #9152 = 52" C-Channel
- #9127 = 27" C-Channel
- #27BH = 27" Solid Bar

Fixture Type	Job Reference/Location
Lamp Type	Approval

**ACC43SCLPF**

Example: ACC43SCLPF

Trim	Trim Finish w/polished flange
ACC43	PAR20 Cut Cone
SCLPF	Soft Specular Clear Alzak Reflector
For white painted flange, drop "PF" from Catalog #. For other finishes, consult reflector section.	

**Options**

- # – 277 = 277V / 120V Auto Transformer
- # – F = Fuse and Fuse Holder

All Pathway® products meet or exceed requirements as established by the National Electrical Code. Specifications subject to change without notice. Alzak® is a registered trademark of Alcoa.

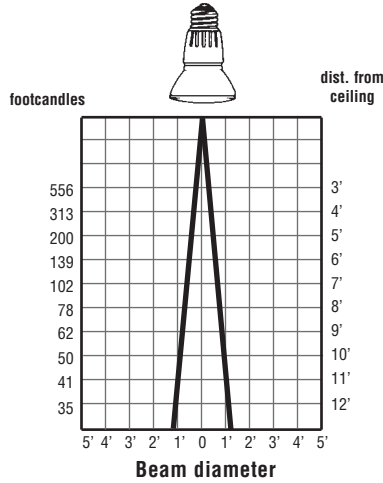


Pathway Lighting Products, Inc., P.O. Box 591, Old Saybrook, CT 06475-0591  
voice 800.342.0592 • fax 800.207.0090 • www.pathwaylighting.com • e-mail: sales@pathwaylighting.com

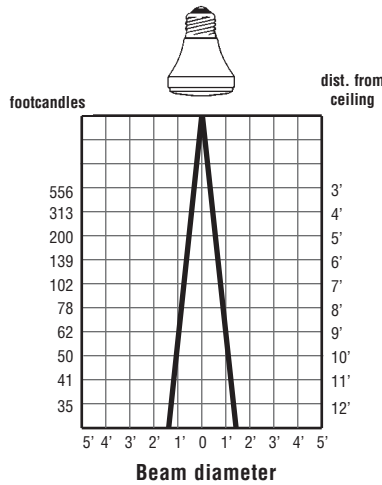
- Catalog Number** – 4AIP20/ACC41SCL
- Luminaire** – Specular Clear Angle Cut Cone / Black Baffled Angle Cut Cone
- Reflector Diameter** – 4.250" / 7.000"
- Lamp(s)** – Beam Spreads @ 50% maximum candlepower.  
Footcandles @ 0° Aiming Angle

**PHOTOMETRICS DOWNLIGHT DISTRIBUTION**

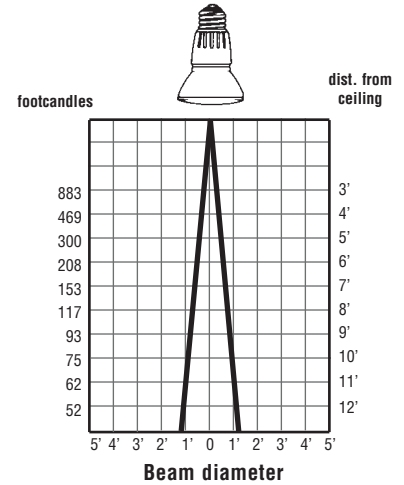
Phillips 40W PAR16 Narrow Spot  
Beam Angle-10°



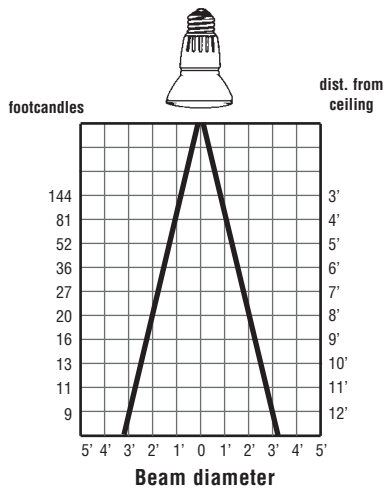
Sylvania 55W PAR16 Capsylite Narrow Spot  
Beam Angle-12°



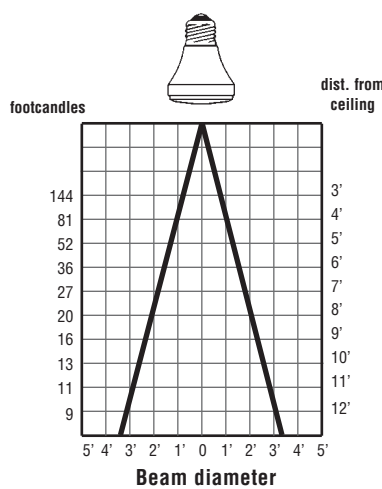
Phillips 60W PAR16 Narrow Spot  
Beam Angle-10°



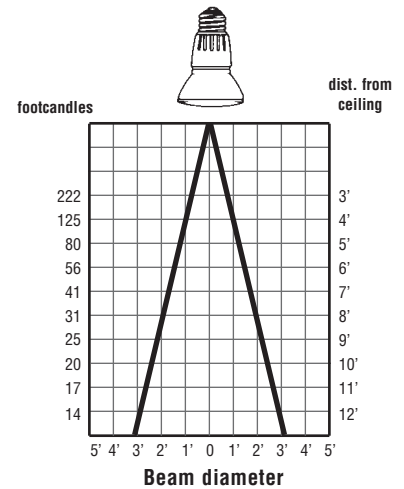
Phillips 40W PAR16 Narrow Flood  
Beam Angle-27°



Sylvania 55W PAR16 Capsylite Narrow Flood  
Beam Angle-30°



Phillips 60W PAR16 Narrow Flood  
Beam Angle-27°



**Note:** Data calculated using clear specular reflector. Results may vary due to lamp variations, as well as ambient temperature and electrical input variance. Data shown as initial footcandles without contribution from redirected light or other sources.

PHOTOMETRIC DATA, available on CD in IES format, please contact factory.