

**APPLICATION**

Shallow depth downlight for applications with minimal plenum depth. Reflector optical systems are highly efficient and produce uniform distribution while minimizing brightness.

**PRODUCT DATA**

**REFLECTOR:** One-piece reflector optics provide high efficiency, low brightness, and excellent cut-off to the lamp image. Reflectors are available in specular or matte finish, as well as a variety of standard and special finishes. Parabolic cross baffle is an available option. All downlight reflectors are field interchangeable within the same aperture size. A one-half inch low profile, overlap flange is standard.

**HOUSING:** Designed for shallow plenums, the frame-in module is fabricated from heavy gauge die formed steel and features a corrosion resistant galvanized finish. Standard plaster flange allows for a 1/2" ceiling thickness.

**MOUNTING:** Housing is supplied standard with expandable bar hangers which adjust from 14 1/2" to 26". Provision is provided for all four sides of frame-in module to accept bar hangers. Optional mounting brackets (BB) adjust vertically 2.5" and accept a variety of hanger bars, C-Channel, EMT or rigid bars (see optional accessories).

**ELECTRICAL:** 120 to 277 volt input 50 to 60 Hz high power factor electronic ballasts are programmed start, under 10% THD. Consult Technical Section for additional ballast operating data. \*Optional emergency ballast (-EM) operates one lamp for 90 minutes, faceplate with test switch and charger light. Integral push to test switch available. See options below.

**JUNCTION BOX:** Heavy gauge galvanized junction box pre-wired with grounding pigtail. Easy access covers. Multiple conduit knockouts listed for through branch circuit wiring.

**SOCKET:** Positive latch four pin thermoplastic. 26, 32 and 42 watt models feature a twist lock lamp socket. 18 watt features a push in socket.

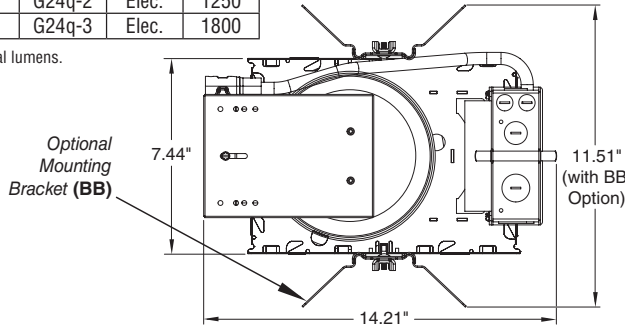
**LAMP DATA:**

LAMP	WATTS	BASE	BALLAST	LUMENS
Triple Tube 4-Pin	26	GX24q-3	Elec.	1800
	32	GX24q-3	Elec.	2400
	42	GX24q-4	Elec.	3200
Quad Tube 4-Pin	18	G24q-2	Elec.	1250
	26	G24q-3	Elec.	1800

Standard lamping, initial lumens.



Listed For Wet Location Under Covered Ceiling



Manufactured and tested to UL#1598 and CSA standards. Note: Suitable for damp location and wet location under covered ceiling.

Catalog #:

**6LPSHF**

Example: 6LPSHF126QE4

Fixture Series	Lamp/Wattage	Ballast/Voltage	Options
6LPSHF	QTY. TYPE (Triple Tube)	E4 / Electronic 120/277	See Below
	1 26T		
	1 32T		
	1 42T		
	(Quad Tube)	D1 / 120V Lutron Dimming†	
	1 18Q		
1 26Q	D2 / 277V Lutron Dimming†		

† = Refer to separate page for dimming ballast specifications and availability.

**Optional Accessories**

Hanger Bars (set of 2)

- 101782 = #520 Caddy Bars
- 9152 = 52" C-Channel
- 9127 = 27" C-Channel
- 27BH = 27" Solid Bar
- 24CBH = 24" one-piece B-Line C-Channel hanger bar
- 26UBH = interlocking hanger bars expand to 26"

Fixture: \_\_\_\_\_ Type: \_\_\_\_\_  
Project: \_\_\_\_\_

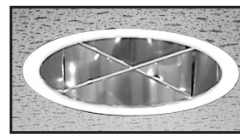


Pathway Lighting Products, Inc., P.O. Box 591, Old Saybrook, CT 06475-0591  
voice 800.342.0592 • fax 800.207.0090 • www.pathwaylighting.com • e-mail: sales@pathwaylighting.com

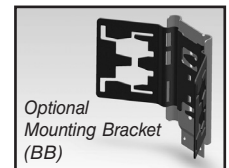
**LEGENDS Plus**  
Affordable Performance

**SERIES 6LPSHF1 SHALLOW DEPTH**  
Open Downlight One Lamp Compact Fluorescent

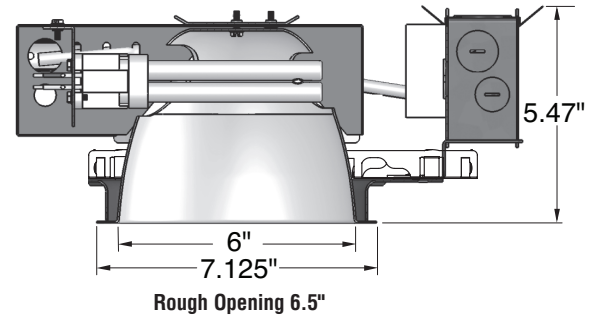
- Open reflectors are not suitable for air handling plenums



XB - Cross Blade Louver



Optional Mounting Bracket (BB)



Series 6LPSHF1 SHALLOW DEPTH - Open Downlight One Lamp Compact Fluorescent

**6SHF**

Example: 6SHF1SCLPF

Trim	Trim Finish w/polished flange
6SHF1	- Reflector
6SHF1XB	- Reflector with Cross Blade Louver
	SCLPF - Soft Specular Clear Alzak
For white painted flange, drop "PF" from Catalog #. For other finishes, consult reflector section.	

**Options**

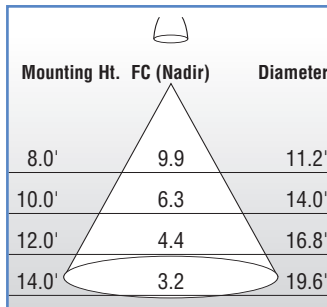
- EM = Emergency Battery Pack w/remotely located Test Switch
- EMITS = Emergency Battery Pack with Integral Test Switch installed in reflector
- F = Fused
- BB = Vertically Adjustable Mounting Bracket

All Pathway® products meet or exceed requirements as established by the National Electrical Code. Specifications subject to change without notice. Alzak® is a registered trademark of Alcoa.

**PHOTOMETRIC DOWNLIGHT DISTRIBUTION**

**Catalog No.** – 6LPSHF132TE4/6SHF1SCLPF  
**Lamp(s)** – (1) 32 Watt PLT  
**Lumens** – 2400  
**Spacing Criteria** – 1.34  
**Efficiency** – 58.1%

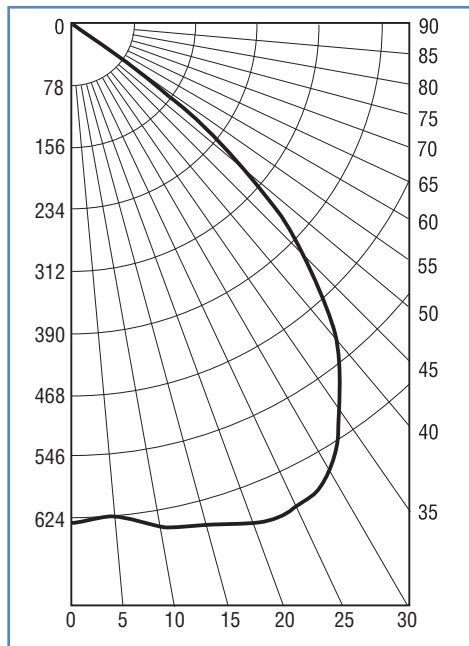
**CONE OF LIGHT**



**ZONAL LUMENS SUMMARY**

ZONE	LUMENS	% LAMP	% LUMINAIRE
0- 30	550	22.9	39.4
0- 40	919	38.3	65.9
0- 60	1382	57.6	99.1
0- 90	1395	58.1	100.0
90-120	0	0.0	0.0
90-130	0	0.0	0.0
90-150	0	0.0	0.0
90-180	0	0.0	0.0
0-180	1395	58.1	100.0

**CANDELA DISTRIBUTION**



**COEFFICIENTS OF UTILIZATION**

PCC	.8				.7				.5				.3				.1				0						
PW	.7	.5	.3	.1	.7	.5	.3	.1	.5	.3	.1	.5	.3	.1	.5	.3	.1	.5	.3	.1	.5	.3	.1	0	0	0	0
RCR																											
0	69	69	69	69	67	67	67	67	64	64	64	61	61	61	59	59	59	58	58	58	58	58	58	58	58		
1	65	63	61	60	63	62	60	59	59	58	57	57	56	55	55	54	53	52	52	52	52	52	52	52	52		
2	60	57	54	52	59	56	53	51	54	52	50	52	50	49	51	49	48	47	47	47	47	47	47	47	47		
3	56	52	48	45	55	51	47	45	49	46	44	48	45	43	46	44	42	41	41	41	41	41	41	41	41		
4	52	47	43	40	51	46	42	39	45	41	39	43	41	38	42	40	38	37	37	37	37	37	37	37	37		
5	49	42	38	35	48	42	38	35	41	37	34	40	37	34	39	36	34	33	33	33	33	33	33	33	33		
6	45	39	34	31	44	38	34	31	37	33	31	36	33	31	35	33	30	29	29	29	29	29	29	29	29		
7	42	35	31	28	41	35	31	28	34	30	28	33	30	27	33	30	27	26	26	26	26	26	26	26	26		
8	39	32	28	25	38	32	28	25	31	28	25	31	27	25	30	27	25	24	24	24	24	24	24	24	24		
9	37	30	26	23	36	29	25	23	29	25	23	28	25	22	28	25	22	21	21	21	21	21	21	21	21		
10	34	28	23	21	34	27	23	21	27	23	20	26	23	20	26	23	20	19	19	19	19	19	19	19	19		

PFC = 0.20

**AVERAGE LUMINANCE**

Angle	CD/M <sup>2</sup>
45°	34625
55°	10625
65°	456
75°	152
85°	119

**CANDELA DISTRIBUTION**

VERTICAL ANGLE	0	90
0.00	632	632
5.00	610	628
10.00	627	648
15.00	642	653
20.00	604	660
25.00	578	689
30.00	580	692
35.00	546	623
40.00	489	545
45.00	410	474
50.00	273	331
55.00	111	164
60.00	15.4	58.5
65.00	3.52	3.67
70.00	1.62	1.79
75.00	0.720	1.06
80.00	0.110	0.310
85.00	0.190	0.180
90.00	0.000	0.000