

## APPLICATION

Medium distribution downlights for use in low to medium high ceilings requiring regressed lensed trims with splay.

## PRODUCT DATA

**REFLECTOR:** Hydroformed heavy gauge aluminum reflector with Alzak finish. Self trimming flanged splay with **fresnel** or **prismatic** lens. Available in a wide range of finishes.

**HOUSING:** Frame-in module is fabricated from heavy gauge die formed steel and features a corrosion resistant galvanized finish. Standard plaster flange allows for a 1/2" ceiling thickness.

**MOUNTING:** Housing is supplied standard with expandable bar hangers which adjust from 14 1/2" to 26". Provision is provided for all four sides of frame-in module to accept bar hangers. Optional mounting brackets (BB) adjust vertically 2.5" and accept a variety of hanger bars, C-Channel, EMT or rigid bars (see optional accessories).

**ELECTRICAL:** 120 to 277 volt input 50 to 60 Hz high power factor electronic ballasts are instant start, under 10% THD. Consult Technical Section for additional ballast operating data. Optional emergency ballast (-EM) operates one lamp for 90 minutes, faceplate with test switch and charger light. Integral push to test switch available. Contact factory for more information.

**JUNCTION BOX:** Heavy gauge galvanized junction box pre-wired with grounding pigtail. Easy access covers. Multiple conduit knockouts listed for through branch circuit wiring.

**SOCKET:** Positive latch four pin thermoplastic. Twist lock socket supplied standard on 26 watt model. 13 and 18 watt supplied with push in socket.

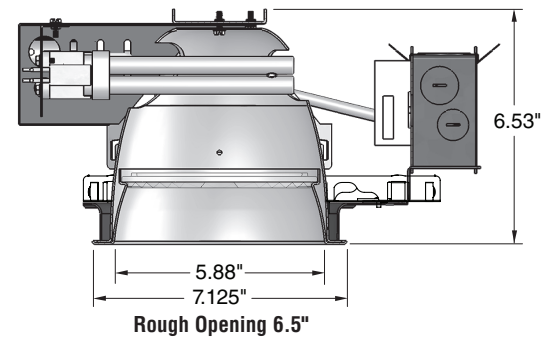
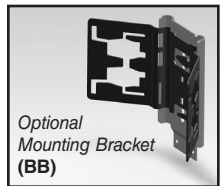
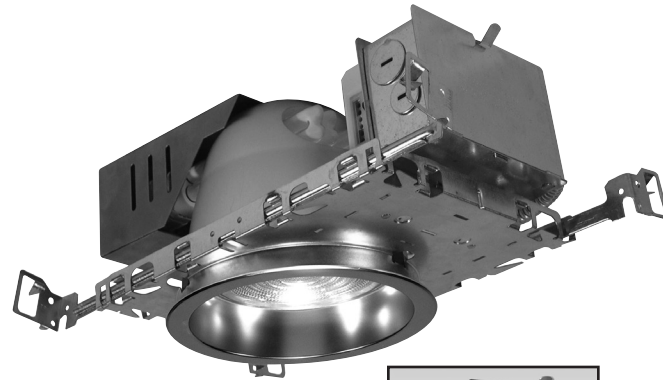
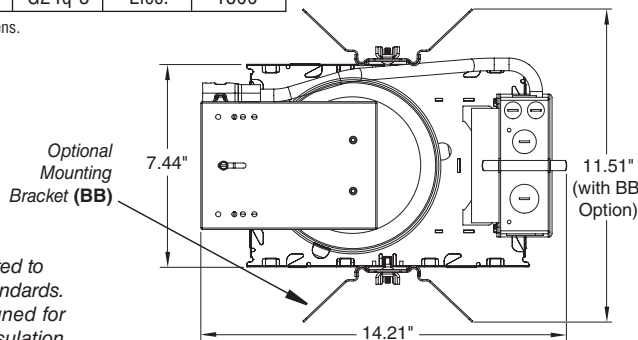
### LAMP DATA:

| LAMP               | WATTS | BASE   | BALLAST | LUMENS |
|--------------------|-------|--------|---------|--------|
| Quad Tube<br>4-Pin | 13    | G24q-1 | Elec.   | 900    |
|                    | 18    | G24q-2 | Elec.   | 1250   |
|                    | 26    | G24q-3 | Elec.   | 1800   |

Standard lamping, initial lumens.

  
Intertek  
LISTED  
FOR WET LOCATION  
UNDER COVERED CEILING

Manufactured and tested to  
UL#1598 and CSA standards.  
Fixtures are not designed for  
direct contact with insulation.



Catalog #:

**6LPHF2**

Example: 6LPHF226QE4

**6HF2**

Example: 6HF2FLSCLPF

| Fixture Series | Lamp/Wattage           | Ballast/Voltage <sup>⚡</sup>  | Options   |
|----------------|------------------------|---|-----------|
| 6LPHF          | <b>QTY</b> <b>TYPE</b> | <b>E4 / Electronic 120/277</b><br><b>D1 / 120V Lutron Dimming</b><br><b>D2 / 277V Lutron Dimming</b><br>⚡ Refer to separate page for dimming ballast specifications and availability of other styles. | See Below |
|                | 2 <b>13Q</b> Quad      |   |           |
|                | 2 <b>18Q</b> Quad      |   |           |
|                | 2 <b>26Q</b> Quad      |   |           |

| Trim             | Trim Finish w/polished flange                             |
|------------------|---|
| <b>6HF2FL</b>    | - Fresnel Glass Lens                                      |
| <b>6HF2PL</b>    | - Prismatic Lens  |
| <b>6HF2C73</b>   | - Corning C73 Prismatic Lens                              |
| <b>6HF2CAL</b>   | - Clear Acrylic Lens                                      |
| <b>6HF2CL</b>    | - Clear Glass Lens  |
| <b>6HF2FRPWL</b> | - Gasketed Radial Prismatic Lens with Plastic Trim Flange |
| <b>SCLPF</b>     | - Soft Specular Clear Alzak                               |

For white painted flange, drop "PF" from Catalog #.  
For other finishes, consult reflector section.

## Optional Accessories

Hanger Bars (set of 2) - Requires optional "BB" Mounting Bracket to be specified.

- 101782 = #520 Caddy Bars       9152 = 52" C-Channel
- 9127 = 27" C-Channel           27BH = 27" Solid Bar
- 24CBH = 24" one-piece B-Line C-Channel hanger bar

|          |       |
|----------|-------|
| Fixture: | Type: |
| Project: |       |

## Options

- EM = Emergency Battery Pack w/remotely located Test Switch
- F = Fused
- BB = Vertically Adjustable Mounting Bracket

All Pathway® products meet or exceed requirements as established by the National Electrical Code. Specifications subject to change without notice. Alzak® is a registered trademark of Alcoa.

**PATHWAY**<sup>®</sup>  
the Lighting Source

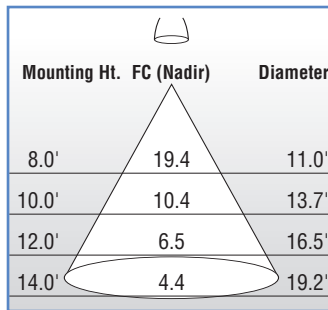
Pathway Lighting Products, Inc., P.O. Box 591, Old Saybrook, CT 06475-0591  
voice 800.342.0592 • fax 800.207.0090 • www.pathwaylighting.com • e-mail: sales@pathwaylighting.com

LP5.0  
CEUMUL

**PHOTOMETRIC DOWNLIGHT DISTRIBUTION**

Catalog No. – 6LPHF226QE4 / 6HF2PLSCLPF  
Lamp(s) – (2) 26W DTT  
Lumens – 3600  
Spacing Criteria – 1.17  
Efficiency – 28%

**CONE OF LIGHT**



**ZONAL LUMENS SUMMARY**

| ZONE   | LUMENS | % LAMP | % LUMINAIRE |
|--------|--------|--------|-------------|
| 0- 30  | 522    | 14.5   | 51.7        |
| 0- 40  | 746    | 20.7   | 73.9        |
| 0- 60  | 975    | 27.1   | 96.5        |
| 0- 90  | 1010   | 28.0   | 100.0       |
| 90-120 | 0      | 0.0    | 0.0         |
| 90-130 | 0      | 0.0    | 0.0         |
| 90-150 | 0      | 0.0    | 0.0         |
| 90-180 | 0      | 0.0    | 0.0         |
| 0-180  | 1010   | 28.0   | 100.0       |

Initial Footcandles at a 30° Work Plane  
Beam diameter calculated at 50% of maximum fc at nadir.

**COEFFICIENTS OF UTILIZATION**

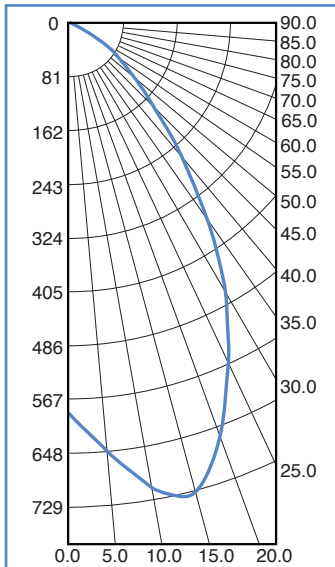
| PCC | .8 |    |    |    | .7 |    |    |    | .5 |    |    |    | .3 |    |    |    | .1 |    |    |    | 0 |
|-----|----|----|----|----|----|----|----|----|----|----|----|----|----|----|----|----|----|----|----|----|---|
| PW  | .7 | .5 | .3 | .1 | .7 | .5 | .3 | .1 | .5 | .3 | .1 | .5 | .3 | .1 | .5 | .3 | .1 | .5 | .3 | .1 | 0 |
| RCR |    |    |    |    |    |    |    |    |    |    |    |    |    |    |    |    |    |    |    |    |   |
| 0   | 33 | 33 | 33 | 33 | 32 | 32 | 32 | 32 | 31 | 31 | 31 | 29 | 29 | 29 | 28 | 28 | 28 | 28 | 28 | 28 |   |
| 1   | 31 | 30 | 29 | 29 | 30 | 30 | 29 | 28 | 28 | 28 | 27 | 27 | 27 | 26 | 26 | 26 | 26 | 26 | 26 | 25 |   |
| 2   | 29 | 28 | 26 | 25 | 28 | 27 | 26 | 25 | 26 | 25 | 24 | 25 | 24 | 24 | 24 | 24 | 24 | 23 | 23 | 23 |   |
| 3   | 27 | 25 | 23 | 22 | 27 | 25 | 23 | 22 | 24 | 23 | 22 | 23 | 22 | 21 | 23 | 22 | 21 | 20 | 20 | 20 |   |
| 4   | 25 | 23 | 21 | 20 | 25 | 23 | 21 | 20 | 22 | 20 | 19 | 21 | 20 | 19 | 21 | 20 | 19 | 18 | 18 | 18 |   |
| 5   | 24 | 21 | 19 | 18 | 23 | 21 | 19 | 18 | 20 | 19 | 17 | 20 | 18 | 17 | 19 | 18 | 17 | 17 | 17 | 17 |   |
| 6   | 22 | 19 | 17 | 16 | 22 | 19 | 17 | 16 | 19 | 17 | 16 | 18 | 17 | 16 | 18 | 17 | 16 | 15 | 15 | 15 |   |
| 7   | 21 | 18 | 16 | 15 | 21 | 18 | 16 | 14 | 17 | 16 | 14 | 17 | 15 | 14 | 17 | 15 | 14 | 14 | 14 | 14 |   |
| 8   | 20 | 17 | 15 | 13 | 19 | 16 | 15 | 13 | 16 | 14 | 13 | 16 | 14 | 13 | 15 | 14 | 13 | 13 | 13 | 13 |   |
| 9   | 19 | 15 | 14 | 12 | 18 | 15 | 13 | 12 | 15 | 13 | 12 | 15 | 13 | 12 | 14 | 13 | 12 | 12 | 12 | 12 |   |
| 10  | 18 | 14 | 13 | 11 | 17 | 14 | 12 | 11 | 14 | 12 | 11 | 14 | 12 | 11 | 14 | 12 | 11 | 11 | 11 | 11 |   |

**AVERAGE LUMINANCE**

| Angle | CD/M <sup>2</sup> |
|-------|-------------------|
| 45°   | 13956             |
| 55°   | 9127              |
| 65°   | 3790              |
| 75°   | 158               |
| 85°   | 44                |

PFC = 0.20

**CANDELA DISTRIBUTION**



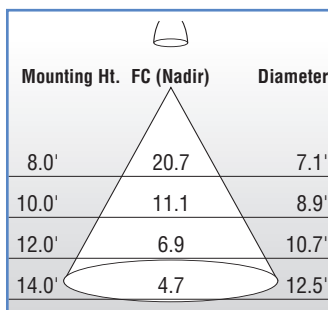
**CANDELA**

| VERTICAL ANGLE | 0     |
|----------------|-------|
| 0.00           | 587   |
| 5.00           | 648   |
| 10.00          | 711   |
| 15.00          | 729   |
| 20.00          | 660   |
| 25.00          | 565   |
| 30.00          | 470   |
| 35.00          | 361   |
| 40.00          | 254   |
| 45.00          | 180   |
| 50.00          | 133   |
| 55.00          | 95.5  |
| 60.00          | 60.6  |
| 65.00          | 29.2  |
| 70.00          | 10.5  |
| 75.00          | 0.750 |
| 80.00          | 0.190 |
| 85.00          | 0.070 |
| 90.00          | 0.020 |

Series 6LPHF2 Lensed - Two Lamp Horizontal Fluorescent Lensed Downlight

Catalog No. – 6LPHF226QE4 / 6HF2FLSCLPF  
Lamp(s) – (2) 26W DTT  
Lumens – 3600  
Spacing Criteria – .89  
Efficiency – 27.9%

**CONE OF LIGHT**



**ZONAL LUMENS SUMMARY**

| ZONE   | LUMENS | % LAMP | % LUMINAIRE |
|--------|--------|--------|-------------|
| 0- 30  | 527    | 14.6   | 52.4        |
| 0- 40  | 739    | 20.5   | 73.5        |
| 0- 60  | 960    | 26.7   | 95.5        |
| 0- 90  | 1006   | 27.9   | 100.0       |
| 90-120 | 0      | 0.0    | 0.0         |
| 90-130 | 0      | 0.0    | 0.0         |
| 90-150 | 0      | 0.0    | 0.0         |
| 90-180 | 0      | 0.0    | 0.0         |
| 0-180  | 1006   | 27.9   | 100.0       |

Initial Footcandles at a 30° Work Plane  
Beam diameter calculated at 50% of maximum fc at nadir.

**COEFFICIENTS OF UTILIZATION**

| PCC | .8 |    |    |    | .7 |    |    |    | .5 |    |    |    | .3 |    |    |    | .1 |    |    |    | 0 |
|-----|----|----|----|----|----|----|----|----|----|----|----|----|----|----|----|----|----|----|----|----|---|
| PW  | .7 | .5 | .3 | .1 | .7 | .5 | .3 | .1 | .5 | .3 | .1 | .5 | .3 | .1 | .5 | .3 | .1 | .5 | .3 | .1 | 0 |
| RCR |    |    |    |    |    |    |    |    |    |    |    |    |    |    |    |    |    |    |    |    |   |
| 0   | 33 | 33 | 33 | 33 | 32 | 32 | 32 | 32 | 31 | 31 | 31 | 29 | 29 | 29 | 28 | 28 | 28 | 28 | 28 | 27 |   |
| 1   | 31 | 30 | 29 | 28 | 30 | 29 | 29 | 28 | 28 | 28 | 27 | 27 | 27 | 26 | 26 | 26 | 25 | 25 | 25 | 25 |   |
| 2   | 29 | 27 | 26 | 25 | 28 | 27 | 26 | 25 | 26 | 25 | 24 | 25 | 24 | 23 | 24 | 24 | 23 | 22 | 22 | 22 |   |
| 3   | 27 | 25 | 23 | 22 | 26 | 24 | 23 | 22 | 24 | 22 | 21 | 23 | 22 | 21 | 22 | 21 | 20 | 20 | 20 | 20 |   |
| 4   | 25 | 23 | 21 | 19 | 25 | 22 | 21 | 19 | 22 | 20 | 19 | 21 | 20 | 19 | 21 | 20 | 19 | 18 | 18 | 18 |   |
| 5   | 24 | 21 | 19 | 18 | 23 | 21 | 19 | 17 | 20 | 18 | 17 | 20 | 18 | 17 | 19 | 18 | 17 | 16 | 16 | 16 |   |
| 6   | 22 | 19 | 17 | 16 | 22 | 19 | 17 | 16 | 19 | 17 | 16 | 18 | 17 | 16 | 18 | 16 | 15 | 15 | 15 | 15 |   |
| 7   | 21 | 18 | 16 | 14 | 20 | 18 | 16 | 14 | 17 | 16 | 14 | 17 | 15 | 14 | 17 | 15 | 14 | 14 | 14 | 14 |   |
| 8   | 20 | 17 | 15 | 13 | 19 | 16 | 14 | 13 | 16 | 14 | 13 | 16 | 14 | 13 | 15 | 14 | 13 | 13 | 13 | 13 |   |
| 9   | 19 | 15 | 13 | 12 | 18 | 15 | 13 | 12 | 15 | 13 | 12 | 15 | 13 | 12 | 14 | 13 | 12 | 12 | 12 | 12 |   |
| 10  | 17 | 14 | 13 | 11 | 17 | 14 | 12 | 11 | 14 | 12 | 11 | 14 | 12 | 11 | 14 | 12 | 11 | 11 | 11 | 11 |   |

**AVERAGE LUMINANCE**

| Angle | CD/M <sup>2</sup> |
|-------|-------------------|
| 45°   | 9637              |
| 55°   | 7643              |
| 65°   | 4735              |
| 75°   | 307               |
| 85°   | 182               |

PFC = 0.20