

APPLICATION

Medium distribution downlights for use in low to medium height ceilings. Reflector optical systems are highly efficient and produce uniform distribution.

PRODUCT DATA

REFLECTOR: One-piece reflector optics provide high efficiency, low brightness, and 50° cut-off to the lamp image. Reflectors are available in specular or matte finish, as well as a variety of standard and special finishes. Parabolic cross baffle is an available option. All downlight reflectors are field interchangeable within the same aperture size. A one-half inch low profile, overlap flange is standard.

HOUSING: Frame-in module is fabricated from heavy gauge die formed steel and features a corrosion resistant galvanized finish. Standard plaster flange allows for a 1/2" ceiling thickness.

MOUNTING: Housing is supplied standard with expandable bar hangers which adjust from 14 1/2" to 26". Provision is provided for all four sides of frame-in module to accept bar hangers. Optional mounting brackets (BB) adjust vertically 2.5" and accept a variety of hanger bars, C-Channel, EMT or rigid bars (see optional accessories).

ELECTRICAL: 120 to 277 volt input 50 to 60 Hz high power factor electronic ballasts are instant start, under 10% THD. Consult Technical Section for additional ballast operating data. Optional emergency ballast (-EM) operates one lamp for 90 minutes, faceplate with test switch and charger light. Integral push to test switch available. Contact factory for more information.

JUNCTION BOX: Heavy gauge galvanized junction box pre-wired with grounding pigtail. Easy access covers. Multiple conduit knockouts listed for through branch circuit wiring.

SOCKET: Positive latch four pin thermoplastic. Twist lock socket supplied standard on 26, 32 and 42 watt models. 13 and 18 watt supplied with push in socket.

LAMP DATA:

LAMP	WATTS	BASE	BALLAST	LUMENS
Triple Tube 4-Pin	26	G24q-3	Elec.	1800
	32	G24q-3	Elec.	2400
	42	G24q-4	Elec.	3200
Quad Tube 4-Pin	13	G24q-1	Elec.	900
	18	G24q-2	Elec.	1250
	26	G24q-3	Elec.	1800

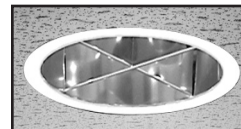
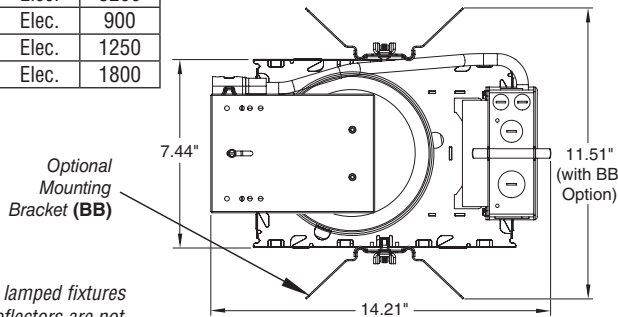
Standard lamping, initial lumens.



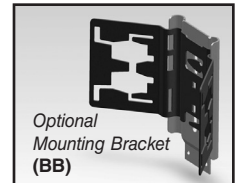
Listed For Wet Location
Under Covered Ceiling

Horizontally lamped fixtures
with open reflectors are not
be suitable for use in air handling plenums.

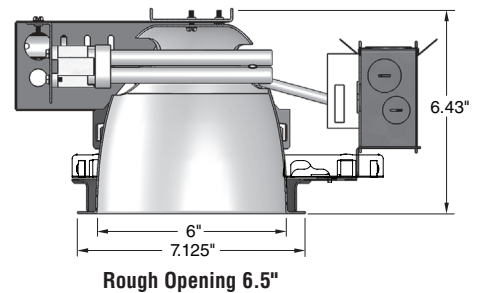
Manufactured and tested to UL#1598 and CSA standards.



XB - Cross Blade Louver



Optional
Mounting Bracket
(BB)

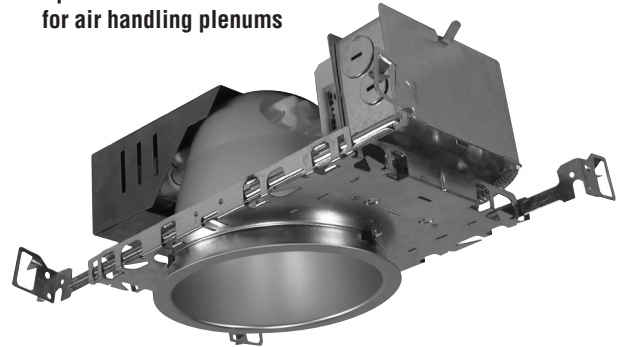


LEGENDS Plus

Affordable PERFORMANCE

SERIES 6LPHF1 Open One Lamp Horizontal Fluorescent Downlight Open Reflector

- Open reflectors are not suitable for air handling plenums



Catalog #:

6LPHF1

Example: 6LPH126TE4

6HF1

Example: 6HF1SCLP1

Fixture Series	Lamp/Wattage	Ballast/Voltage*	Options
6LPHF	QTY	E4 / Electronic 120/277	See Below
	TYPE	D1 / 120V Lutron Dimming	
	(Triple Tube)	D2 / 277V Lutron Dimming	
	1	26T	
	1	32T	
	1	42T	
	(Quad Tube)	* Refer to separate page for dimming ballast specifications and availability of other styles.	
1	13Q		
1	18Q		
1	26Q		

Trim	Trim Finish w/polished flange
6HF1	- Open Reflector
6HF1XB	- Reflector with Cross Blade Parabolic Louver
	SCLPF - Soft Specular Clear Alzak
For white painted flange, drop "PF" from Catalog #. For other finishes, consult reflector section.	

Optional Accessories

Hanger Bars (set of 2) - Requires optional "BB" Mounting Bracket to be specified.

- 101782 = #520 Caddy Bars
- 9152 = 52" C-Channel
- 9127 = 27" C-Channel
- 27BH = 27" Solid Bar
- 24CBH = 24" one-piece B-Line C-Channel hanger bar

Fixture:	Type:
Project:	

Options

- EM = Emergency Battery Pack w/remotely located Test Switch
- EMITS = Emergency Battery Pack with Integral Test Switch installed in reflector
- F = Fused
- BB = Vertically Adjustable Mounting Bracket

All Pathway® products meet or exceed requirements as established by the National Electrical Code. Specifications subject to change without notice. Alzak® is a registered trademark of Alcoa.

PATHWAY
the Lighting Source

Pathway Lighting Products, Inc., P.O. Box 591, Old Saybrook, CT 06475-0591
voice 800.342.0592 • fax 800.207.0090 • www.pathwaylighting.com • e-mail: sales@pathwaylighting.com

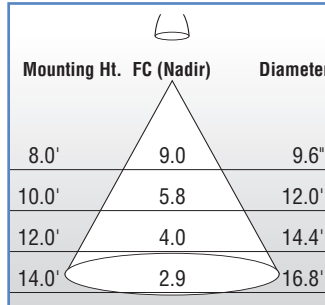
Series 6LPHF1 - Open One Lamp Horizontal Fluorescent Downlight Open Reflector

LP6.0
CRMNR

PHOTOMETRIC DOWNLIGHT DISTRIBUTION

Catalog No. – 6LPHF132TE4 / 6HF1SCLPF
Lamp(s) – (1) 32W PLT
Lumens – 2400
Spacing Criteria – 1.43
Efficiency – 56.3%

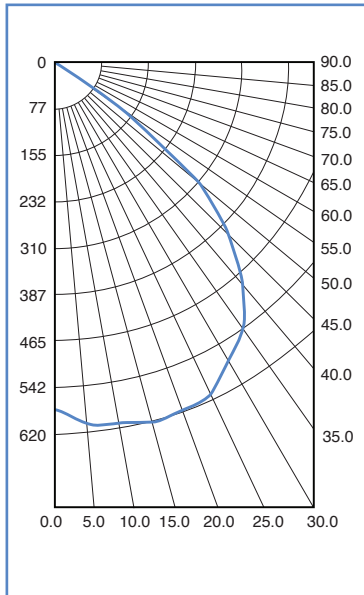
CONE OF LIGHT



ZONAL LUMENS SUMMARY

ZONE	LUMENS	% LAMP	% LUMINAIRE
0- 30	539	22.4	39.9
0- 40	897	37.4	66.4
0- 60	1341	55.9	99.3
0- 90	1351	56.3	100.0
90-120	0	0.0	0.0
90-130	0	0.0	0.0
90-150	0	0.0	0.0
90-180	0	0.0	0.0
0-180	1351	56.3	100.0

CANDELA DISTRIBUTION



CANDELA

VERTICAL ANGLE	0
	0.00
0.00	578
5.00	605
10.00	609
15.00	621
20.00	617
25.00	610
30.00	573
35.00	542
40.00	479
45.00	381
50.00	279
55.00	109
60.00	23.6
65.00	4.03
70.00	1.82
75.00	1.54
80.00	0.480
85.00	0.390
90.00	0.000

Initial Footcandles at a 30" Work Plane
 Beam diameter calculated at 50% of maximum fc at nadir.

COEFFICIENTS OF UTILIZATION

PCC	.8				.7				.5			.3			.1			0
PW	.7	.5	.3	.1	.7	.5	.3	.1	.5	.3	.1	.5	.3	.1	.5	.3	.1	0
0	66	66	66	66	65	65	65	65	62	62	62	59	59	59	57	57	57	56
1	62	61	59	57	61	59	58	56	57	56	55	55	54	53	53	52	52	50
2	58	55	52	50	57	54	51	49	52	50	48	50	49	47	49	47	46	45
3	54	50	46	44	53	49	46	43	47	45	42	46	44	42	45	43	41	40
4	51	45	41	38	49	45	41	38	43	40	38	42	39	37	41	39	37	36
5	47	41	37	34	46	41	37	34	39	36	33	38	35	33	37	35	33	32
6	44	37	33	30	43	37	33	30	36	32	30	35	32	30	34	32	29	28
7	41	34	30	27	40	34	30	27	33	29	27	32	29	27	32	29	26	25
8	38	31	27	24	37	31	27	24	30	27	24	30	26	24	29	26	24	23
9	36	29	25	22	35	29	25	22	28	24	22	27	24	22	27	24	22	21
10	33	27	23	20	33	26	23	20	26	22	20	25	22	20	25	22	20	19

PFC = 0.20

AVERAGE LUMINANCE

Angle	CD/M ²
45°	29560
55°	10420
65°	522
75°	326
85°	245

Series 6LPHF1 - Open One Lamp Horizontal Fluorescent Downlight Open Reflector