

APPLICATION

Medium distribution downlights for use in low to medium height ceilings in applications requiring high efficiency, excellent cut-off and low brightness.

PRODUCT DATA

REFLECTOR: One-piece reflector optics provide high efficiency, low brightness, and 50° cut-off to the lamp image. Reflectors are available in specular or matte finish, as well as a variety of standard and special finishes. A complete range of optical designs and reflector finishes allow uniform ceiling appearance. All downlight reflectors are field interchangeable within the same aperture size. A half inch low profile, overlap flange is standard.

HOUSING: Frame-in module is fabricated from heavy gauge die formed steel and features a corrosion resistant galvanized finish. Standard plaster flange allows for a 1/2" ceiling thickness.

MOUNTING: Housing is supplied standard with expandable bar hangers which adjust from 14 1/2" to 26". Provision is provided for all four sides of frame-in module to accept bar hangers. Optional mounting brackets (BB) adjust vertically 2.5" and accept a variety of hanger bars, C-Channel, EMT or rigid bars (see optional accessories).

ELECTRICAL: 120 to 277 volt input 50 to 60 Hz high power factor electronic ballasts are instant start, under 10% THD. Consult Technical Section for additional ballast operating data. Optional emergency ballast (-EM) operates one lamp for 90 minutes, faceplate with test switch and charger light. Integral push to test switch available. Contact factory for more information.

JUNCTION BOX: Heavy gauge galvanized junction box pre-wired with grounding pigtail. Easy access covers. Multiple conduit knockouts listed for through branch circuit wiring.

SOCKET: Positive latch four pin thermoplastic. Twist lock socket supplied standard on 26 watt model. 13 and 18 watt supplied with push in socket.

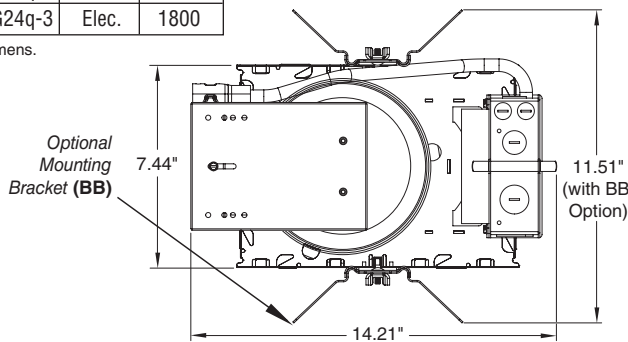
LAMP DATA:

LAMP	WATTS	BASE	BALLAST	LUMENS
Quad Tube 4-Pin	13	G24q-1	Elec.	900
	18	G24q-2	Elec.	1250
	26	G24q-3	Elec.	1800

Standard lamping, initial lumens.



Listed For Wet Location
Under Covered Ceiling



Manufactured and tested to UL#1598
and CSA standards.

Catalog #:

6LPHF2

Example: 6LPHF226QE4

Fixture Series	Lamp/Wattage	Ballast/Voltage	Options
6LPHF	QTY TYPE	E4 / Electronic 120/277 D1 / 120V Lutron Dimming† D2 / 277V Lutron Dimming†	See Below
	2 13Q Quad		
	2 18Q Quad		
	2 26Q Quad		

Optional Accessories

Hanger Bars (set of 2) - Requires optional "BB" Mounting Bracket to be specified.

- 101782 = #520 Caddy Bars
- 9152 = 52" C-Channel
- 9127 = 27" C-Channel
- 27BH = 27" Solid Bar
- 24CBH = 24" one-piece B-Line C-Channel hanger bar

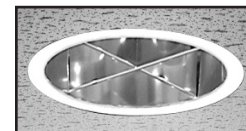
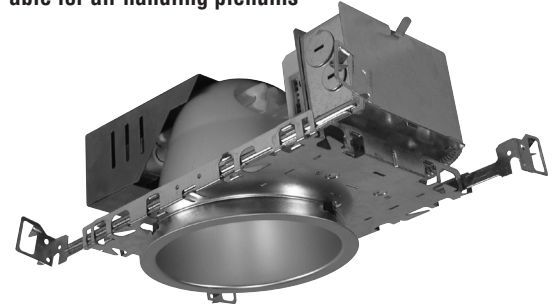
Fixture:	Type:
Project:	

LEGENDS Plus

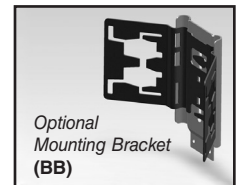
Affordable Performance

SERIES 6LPHF2 Open Two Lamp Horizontal Fluorescent Downlight Open Reflector

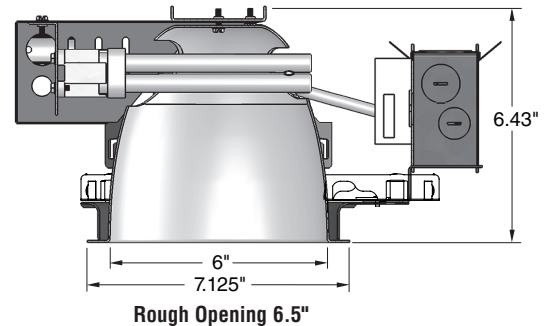
- Open reflectors are not suitable for air handling plenums



XB - Cross Blade Louver



Optional
Mounting Bracket
(BB)



6HF2

Example: 6HF2FLSCLPF

Trim	Trim Finish w/polished flange
6HF2	- Medium Distribution Reflector
6HF2XB	- Reflector with Cross Blade Parabolic Louver
	SCLPF - Soft Specular Clear Alzak
For white painted flange, drop "PF" from Catalog #. For other finishes, consult reflector section.	

Options

- EM = Emergency Battery Pack w/remotely located Test Switch
 - EMITS = Emergency Battery Pack with Integral Test Switch installed in reflector
 - F = Fused
 - BB = Vertically Adjustable Mounting Bracket
- † = Refer to separate page for dimming ballast specifications and availability.

All Pathway® products meet or exceed requirements as established by the National Electrical Code. Specifications subject to change without notice. Alzak® is a registered trademark of Alcoa.

PATHWAY
the Lighting Source

Pathway Lighting Products, Inc., P.O. Box 591, Old Saybrook, CT 06475-0591
voice 800.342.0592 • fax 800.207.0090 • www.pathwaylighting.com • e-mail: sales@pathwaylighting.com

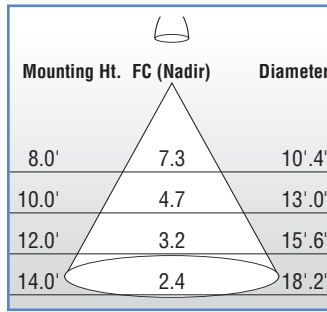
Series 6LPHF2 Open - Two Lamp Horizontal Fluorescent Downlight Open Reflector

LP4.0
CUCNUL

PHOTOMETRIC DOWNLIGHT DISTRIBUTION

Catalog No. - 6LPHF218QE4 / 6HF2SCLPF
 Lamp(s) - (2) 18W DTT
 Lumens - 2500
 Spacing Criteria - 1.4
 Efficiency - 45.5%

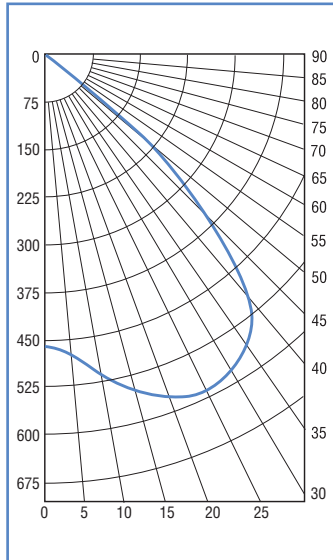
CONE OF LIGHT



ZONAL LUMENS SUMMARY

ZONE	LUMENS	% LAMP	% LUMINAIRE
0-30	476	19.0	41.9
0-40	793	31.7	69.8
0-60	1131	45.2	99.4
0-90	1137	45.5	100.0
90-120	0	0.0	0.0
90-130	0	0.0	0.0
90-150	0	0.0	0.0
90-180	0	0.0	0.0
0-180	1137	45.5	100.0

CANDELA DISTRIBUTION



CANDELA

VERTICAL ANGLE	0	90
0.00	467	467
5.00	414	530
10.00	492	574
15.00	461	646
20.00	463	643
25.00	465	643
30.00	434	595
35.00	427	560
40.00	366	502
45.00	290	388
50.00	188	220
55.00	68.3	65.9
60.00	12.9	13.4
65.00	3.75	2.88
70.00	1.29	1.53
75.00	0.890	0.900
80.00	0.690	0.590
85.00	0.000	0.280
90.00	0.000	0.000

Initial Footcandles at a 30" Work Plane
 Beam diameter calculated at 50% of maximum fc at nadir.

COEFFICIENTS OF UTILIZATION

PCC	.8				.7				.5				.3				.1				0			
	PW	.7	.5	.3	.1	.7	.5	.3	.1	.5	.3	.1	.5	.3	.1	.5	.3	.1	.5	.3	.1	0	0	
RCR	0	54	54	54	54	52	52	52	52	50	50	50	48	48	48	46	46	46	45	45	45	45	45	
1	51	49	48	47	49	48	47	46	46	45	44	44	44	43	43	42	42	41	41	41	41	41	41	
2	47	45	42	41	46	44	42	40	42	41	39	41	40	38	40	38	37	37	37	37	37	37	37	
3	44	41	38	36	43	40	37	35	39	36	35	37	36	34	36	35	34	33	33	33	33	33	33	
4	41	37	34	31	40	36	33	31	35	33	31	34	32	30	33	32	30	29	29	29	29	29	29	
5	38	34	30	28	37	33	30	28	32	30	28	31	29	27	31	29	27	26	26	26	26	26	26	
6	36	31	27	25	35	30	27	25	30	27	25	29	26	24	28	26	24	24	24	24	24	24	24	
7	33	28	25	22	33	28	25	22	27	24	22	27	24	22	26	24	22	21	21	21	21	21	21	
8	31	26	23	20	30	26	22	20	25	22	20	24	22	20	24	22	20	19	19	19	19	19	19	
9	29	24	21	18	29	24	20	18	23	20	18	23	20	18	22	20	18	17	17	17	17	17	17	
10	27	22	19	17	27	22	19	17	21	19	17	21	18	17	21	18	16	16	16	16	16	16	16	

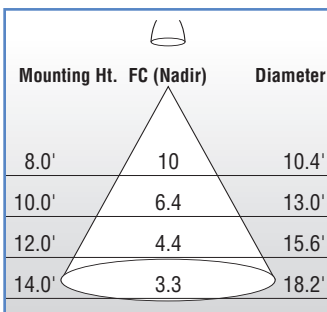
PFC = 0.20

AVERAGE LUMINANCE

Angle	CD/M ²
45°	22450
55°	6529
65°	486
75°	188
85°	0

Catalog No. - 6LPHF226QE4 / 6HF2SCLPF
 Lamp(s) - (2) 26W DTT
 Lumens - 3600
 Spacing Criteria - 1.45
 Efficiency - 41.8%

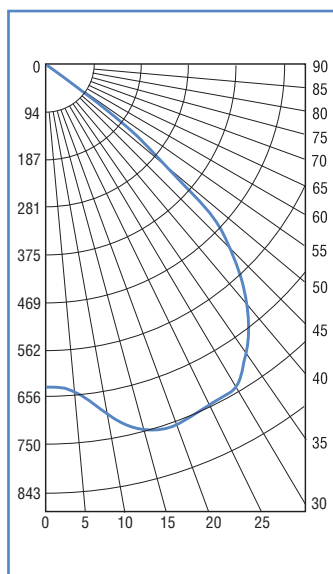
CONE OF LIGHT



ZONAL LUMENS SUMMARY

ZONE	LUMENS	% LAMP	% LUMINAIRE
0-30	610	16.9	40.5
0-40	1023	28.4	67.9
0-60	1497	41.6	99.4
0-90	1506	41.8	100.0
90-120	0	0.0	0.0
90-130	0	0.0	0.0
90-150	0	0.0	0.0
90-180	0	0.0	0.0
0-180	1506	41.8	100.0

CANDELA DISTRIBUTION



CANDELA

VERTICAL ANGLE	0	90
0.00	637	637
5.00	637	689
10.00	643	723
15.00	586	789
20.00	648	843
25.00	619	799
30.00	615	748
35.00	623	697
40.00	527	633
45.00	434	517
50.00	298	332
55.00	107	110
60.00	19.4	20.4
65.00	4.27	4.66
70.00	1.77	2.04
75.00	0.950	0.880
80.00	0.520	0.510
85.00	0.260	0.090
90.00	0.000	0.000

Initial Footcandles at a 30" Work Plane
 Beam diameter calculated at 50% of maximum fc at nadir.

COEFFICIENTS OF UTILIZATION

PCC	.8				.7				.5				.3				.1				0			
	PW	.7	.5	.3	.1	.7	.5	.3	.1	.5	.3	.1	.5	.3	.1	.5	.3	.1	.5	.3	.1	0	0	
RCR	0	49	49	49	49	48	48	48	48	46	46	46	44	44	44	42	42	42	41	41	41	41	41	
1	46	45	44	43	45	44	43	42	42	41	41	41	40	39	39	39	38	37	37	37	37	37	37	
2	43	41	39	37	42	40	38	37	39	37	36	37	36	35	36	35	34	33	33	33	33	33	33	
3	40	37	34	32	39	36	34	32	35	33	32	34	33	31	33	32	31	30	30	30	30	30	30	
4	38	34	31	29	37	33	30	28	32	30	28	31	29	27	30	29	27	27	27	27	27	27	27	
5	35	31	28	25	34	30	27	25	29	27	25	29	26	25	28	26	24	24	24	24	24	24	24	
6	33	28	25	23	32	28	25	23	27	24	22	26	24	22	26	24	22	21	21	21	21	21	21	
7	30	26	22	20	30	25	22	20	25	22	20	24	22	20	24	21	20	19	19	19	19	19	19	
8	28	23	20	18	28	23	20	18	23	20	18	22	20	18	22	20	18	17	17	17	17	17	17	
9	26	22	19	16	26	21	18	16	21	18	16	20	18	16	20	18	16	16	16	16	16	16	16	
10	25	20	17	15	24	20	17	15	19	17	15	19	17	15	19	16	15	14	14	14	14	14	14	

PFC = 0.20

AVERAGE LUMINANCE

Angle	CD/M ²
45°	33622
55°	10245
65°	553
75°	201
85°	163

Series 6LPHF2 Open - Two Lamp Horizontal Fluorescent Downlight Open Reflector