

APPLICATION

For medium to high ceilings where lamp and lamp image cutoff are paramount and additional illumination is required. Optional with baffles for increased glare control.

PRODUCT DATA

REFLECTOR: Hydroformed heavy gauge aluminum reflector with self trimming flange, with or without aluminum baffle. Available in a wide range of finishes.

HOUSING: The mounting frame is fabricated 18 gauge steel and provides a solid structure for the optical and electrical components as well as a platform for decorative attachments. Standard plaster flange allows a one inch ceiling thickness. Custom depths are available.

MOUNTING: Adjustable height "C" channel mounting ears allow off center installation and accept a wide variety of hanger bars, see optional accessories. For sloped ceiling, consult special section of catalog.

ELECTRICAL: 120/277 high power factor electronic ballasts are programmed start, under 10% THD. Consult Technical Section for additional ballast operating data. Optional emergency ballast (-EM) operates one lamp for 90 minutes, faceplate with test switch and charger light. Integral push to test switch available. Contact factory for more information.

JUNCTION BOX: Heavy gauge galvanized junction box pre-wired to ballast with grounding pigtail. Easy access covers. Multiple conduit knockouts listed for through branch circuit wiring.

SOCKET: Positive latch four pin thermoplastic.

LAMP DATA:

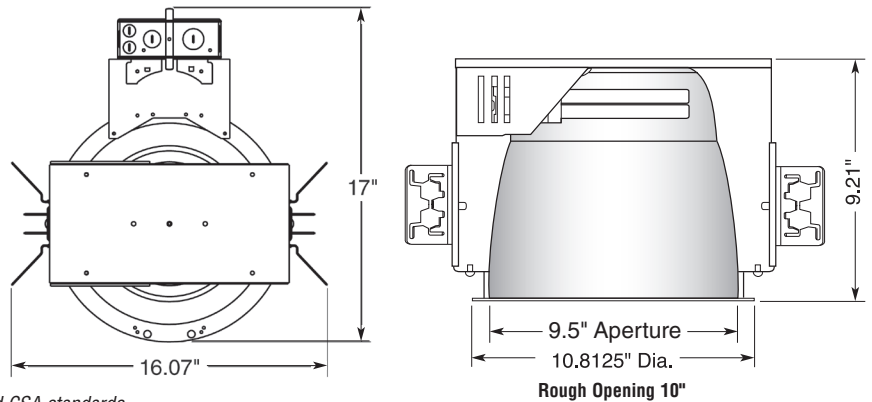
LAMP	WATTS	BASE	BALLAST	LUMENS
Quad Tube 4-Pin*	26	G24q-3	Elec.	1800
Triple Tube 4-Pin**	26	GX24q-3	Elec.	1800
	32	GX24q-3	Elec.	2400
	42	GX24q-4	Elec.	3200

*Standard lamping, initial lumens.

**Osram/Sylvania, initial lumens (delta/hex lamp).



Listed For Wet Location Under Covered Ceiling *Manufactured and tested to UL#1598 and CSA standards. Fixtures are not designed for direct contact with insulation.*



SERIES 10HF3T Open 10" Aperture Horizontal Fluorescent 3 Lamp Open / Baffled Downlight

- Open reflectors are not suitable for air handling plenums



Series 10HF3T Open - 10" Aperture HF 3 Lamp Open / Baffled Downlight

Catalog #:

10HF3

Example: 10HF332TE4EM

Fixture Series	Lamp/Wattage	Ballast/Voltage	Options
10HF	QTY 3 TYPE 26Q (Quad Tube)	E4 / Electronic 120/277	EM - Emergency Battery Pack EMITS - Emergency Battery Pack with Integral Test Switch F - Fused
	3 26T		
	3 32T	D1 / 120V Dimming	
	3 42T (Triple Tube)	D2 / 277 Dimming	

Optional Accessories

Hanger Bars (set of 2)

- 101782 = #520 Caddy Bars
- 9152 = 52" C-Channel
- 9127 = 27" C-Channel
- 27BH = 27" Solid Bar
- 24CBH = 24" one-piece B-Line C-Channel hanger bar
- 26UBH = Interlocking adjustable mounting bars, adjust from 14" to 26"

Fixture:	Type:
Project:	

AHF103

ABHF103

Example: AHF103SCLPF or ABH103SCL/BL

Trim	Trim Finish w/polished flange
AHF103 - Reflector	SCLPF - Soft Specular Clear "Alzak" with Polished Flange
	WHT - Reflective White painted finish with White Flange
ABHF103 - Reflector with baffle	SCL/BL - Soft Specular Clear "Alzak" with White Flange & Black Baffle
	SCL/WH - Soft Specular Clear "Alzak" with White Flange & White Baffle
	WH/WH - Reflective White painted finish with White Flange & White Baffle

For white painted flange, drop "PF" from Catalog #. For other finishes, consult reflector section.

All Pathway® products meet or exceed requirements as established by the National Electrical Code. Specifications subject to change without notice. Alzak® is a registered trademark of Alcoa.



Pathway Lighting Products, Inc., P.O. Box 591, Old Saybrook, CT 06475-0591
voice 800.342.0592 • fax 800.207.0090 • www.pathwaylighting.com • e-mail: sales@pathwaylighting.com