

## SERIES P3 Pendant

Compact Fluorescent/  
Incandescent or HID Double Pendant with Glass Shade



Additional Styles  
in the P3 family



P3A Series  
(with cobalt shade and inner reflector)



P3 Series  
(with tangerine shade)



P3D Series  
(with white shade)

### Pathway the Lighting Source

announces their latest innovation in architectural pendant lighting. SERIES 2P3 features two glass shades supported by a double bar system that features decorative cabling to mirror the graceful lines of a suspension bridge. Frosted glass shades are available in a variety of solid and patterned colors. White milk glass interior provides excellent downlight performance while infusing the shade with a soft uniform glow.

#### Lamp Styles Operated

- Incandescent A Lamp ..... 250 Watt Max.
- Compact Fluorescent ..... 18-42 Watt Triple Tube
- Metal Halide ED17 ..... 50 or 70 Watt

Fixture Type	Job Reference/Location
Lamp Type	Approval

All Pathway® products meet or exceed requirements as established by the National Electrical Code. Specifications subject to change without notice. Alzak® is a registered trademark of Alcoa.

# Coventry

Architectural Series

## SERIES 2P3 Pendant Compact Fluorescent/ Incandescent or HID Double Pendant with Glass Shade

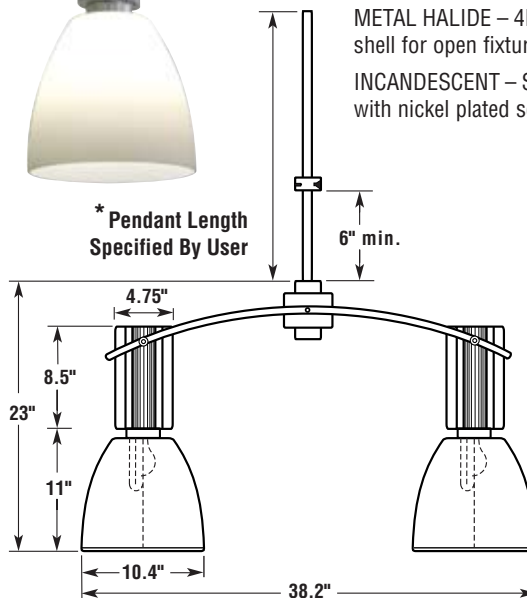


**Solerio**  
Decorative Lighting

Optional  
inner reflector



**P3DT**  
Tangerine Shade



### APPLICATION

Solerio™ suspended pendants are ideal for illumination in interior areas where a decorative pendant downlight is desired. Suspension system combines steel rod and cables in an architecturally pleasing double shade design. Frosted glass shades feature a soft uniform glow while the milk glass interior provides good downlight performance.

### PRODUCT DATA

**GLASS SHADE:** Shades are fabricated of frosted glass in a variety of colors. Interior is cased in gloss white glass which enhances downlight performance and infuses the shade with a soft uniform glow.

**INNER REFLECTOR:** An optional inner reflector cone is fabricated of polished aluminum and further enhances downlight performance while maintaining the uniform glow of the shade's exterior. Finish is specular clear Alzak®. To specify, see Options section below.

**MECHANICAL:** The oval housing is constructed of satin anodized aluminum extrusions, finned for optimum heat dissipation. Extrusions are suspended from a curved steel rod system in polished chrome. Adjustable cables provide additional support. Custom finishes are available by contacting our Sales Department.

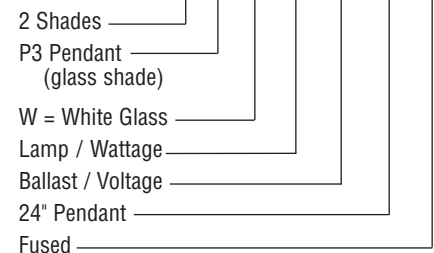
**LAMP DESCRIPTION: COMPACT FLUORESCENT** – Single lamp operation with a positive latch 4-pin thermoplastic socket for triple tube lamps is wattages of 26, 32 or 42 watts.

**METAL HALIDE** – 4KV deep medium base porcelain socket nickel plated screw shell for open fixture rated ED17 style lamp.

**INCANDESCENT** – Single lamp operation with a medium base porcelain socket with nickel plated screw shell. Maximum lamp wattage of 200 watts.

**MOUNTING:** Mounting is provided by pendant system. Specific length to be specified.

**EXAMPLE: 2 P3 W 26T E4 P24\* F**



FOR DAMP LOCATION

Manufactured and tested to  
UL#1598 and CSA standards.  
Note: Suitable for damp location.

### Catalog Number – 2P3

Example: 2P3WUTE4P24

Fixture Series	Lamp / Wattage	Ballast / Voltage	Suspension	Options
<b>2P3B</b> Cobalt Blue Glass Shade	<b>TYPE</b> 26T 26W Triple Tube 32T 32W Triple Tube 42T 42W Triple Tube	<b>E4</b> – Electronic 120/277 <b>DIMMING BALLASTS</b> DT – Lutron TU Wire (120V only) DA1 – Advance Mark X 120V DA2 – Advance Mark X 277V	<b>P</b> – Pendant provision  Specify length (ex., P24 = 24")	<b>Special Colors for Extrusions</b> <b>W</b> = White <b>B</b> = Black <b>Z</b> = Bronze  <b>R</b> = Clear Alzak Inner Reflector  <b>F</b> = Fused
<b>2P3W</b> White Glass Shade	H50 50 W Metal Halide H70 70 W Metal Halide	<b>E4</b> – Electronic 120/277		
<b>2P3T</b> Tangerine Glass Shade	A21 – 150 W Incandescent A23 – 200 W Incandescent	<b>120 Volt</b> Standard		

All Pathway® products meet or exceed requirements as established by the National Electrical Code. Specifications subject to change without notice. Alzak® is a registered trademark of Alcoa.

**PATHWAY**  
the Lighting Source

Pathway Lighting Products, Inc., P.O. Box 591, Old Saybrook, CT 06475-0591  
voice 800.342.0592 • fax 800.207.0090 • www.pathwaylighting.com • e-mail: sales@pathwaylighting.com