

APPLICATION

Small aperture vertical lamp downlights for use in low to medium height ceilings where fixture will be in direct contact with insulation. The single reflector optical system is highly efficient and produces uniform distribution while minimizing brightness.

PRODUCT DATA

REFLECTOR: The single reflector optical system provides high efficiency, low brightness, and 50° cut-off to the lamp image. Reflectors are available in specular or matte finish, as well as a variety of standard and special finishes. A complete range of optical designs and reflector finishes allow uniform ceiling appearance. All downlight reflectors are field interchangeable within the same aperture size. A half inch low profile, overlap flange is standard.

HOUSING: The mounting frame is fabricated 18 gauge steel and provides a solid structure for the optical and electrical components as well as a platform for decorative attachments. Fixture is IC Rated for direct contact with insulation. Standard plastic flange allows a one inch ceiling thickness. Custom depths are available.

MOUNTING: Bar hangers are expandable to 24" and vertically mounted for strength with locking tabs for off center mounting.

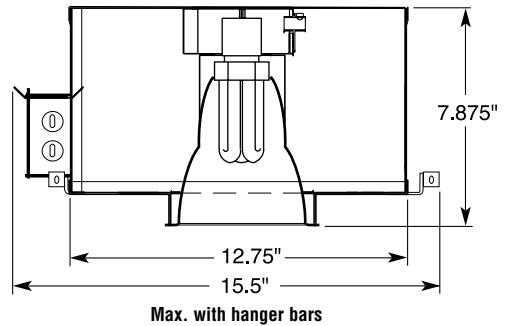
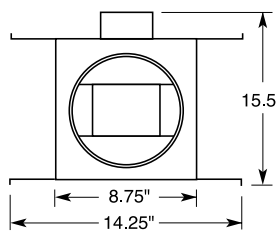
ELECTRICAL: 120 to 277 volt input 50 to 60 Hz high power factor electronic ballasts are programmed start, under 10% THD.

JUNCTION BOX: Heavy gauge galvanized junction box pre-wired with grounding pigtail. Easy access covers. Multiple conduit knockouts listed for through branch circuit wiring.

SOCKET: Positive latch four pin thermoplastic socket Style G24Q-1 (13 watt quad), Style GX24Q-2 (18 watt triple).

LAMP DATA:

LAMP	WATTS	BASE	BALLAST	LUMENS
Quad Tube 4-Pin	13	G24q-1	Elec.	900
Triple Tube 4-Pin	18	G24q-2	Elec.	1200



For Direct Contact with Insulation and Wet Location Under Covered Ceiling

Manufactured and tested to UL#1598 and CSA standards.
Note: Suitable for damp location.

Catalog #:

4VFC

Example: 4VFC113QE4

4VF

Example: 4VFSCLPF

Fixture Series	Lamp/Wattage	Ballast/Voltage	Options
4VFC	QTY. TYPE 1 13Q (quad)	E4 / Electronic 120/277 D1 / 120V Dimming * D2 / 277V Dimming *	See Below
	1 18T (triple tube)		

* Not available for 13 watt

Trim	Trim Finish w/polished flange
4VF	- Downlight
4VFWW	- 120° Cutout Wall Wash
	SCLPF - Soft Specular Clear Alzak
For white painted flange, drop "PF" from Catalog #. For other finishes, consult reflector section.	

Options

F = Fused

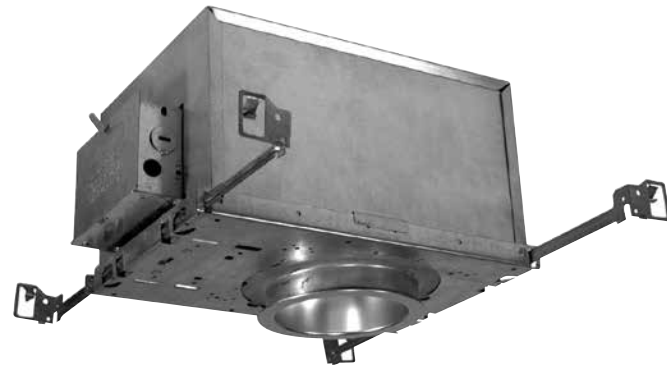
Fixture:	Type:
Project:	

PATHWAY
the Lighting Source

Pathway Lighting Products, Inc., P.O. Box 591, Old Saybrook, CT 06475-0591
voice 800.342.0592 • fax 800.207.0090 • www.pathwaylighting.com • e-mail: sales@pathwaylighting.com

Coventry
Architectural Series

SERIES 4VFC Quad, Triple Tube IC Rated
Downlight Vertical Fluorescent Open Reflector



Series 4VFC - Quad, Triple Tube IC Rated Downlight Vertical Fluorescent Open Reflector

FL1.4
UMUNUB

DOWNLIGHT - FLOOD DISTRIBUTION

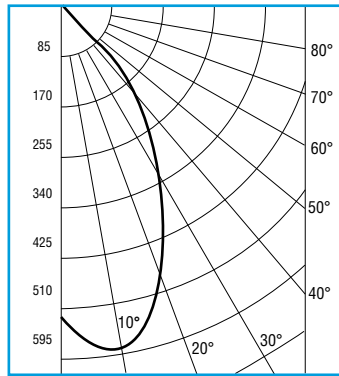
PERFORMANCE DATA

18 WATT HEX LAMP					CEILING TO FLOOR	MULTIPLIER TABLE			
Nadir FC	15° FC	Diameter	30° FC	Diameter		Reflector Finish	Multiplier	Lamp	Multiplier
17	18	3.0'	8	6.0'	8'	Soft Clear	0.97		
12	13	3.5'	5	7.5'	9'	Specular Wheat	0.97	13 Watt	0.75
9	10	4.0'	4	8.5'	10'	Soft Wheat	0.87	18 Watt	1.00
7	8	4.5'	3	9.5'	11'	Specular Black	0.70		
6	7	5.0'	2	11.0'	12'	Matte White	0.95		

Single Unit Initial Footcandles at 30" Work Plane

DOWNLIGHT - 18 WATT LAMP

CANDELA DISTRIBUTION



SMH = 1.01

CANDELA

VERTICAL ANGLE	CD
0	527
5	571
10	593
15	604
20	494
25	402
30	347
35	264
40	169
45	80
50	20
55	1
60	0
65	0
70	0
75	0
80	0
85	0

EFF. = 54.0%

COEFFICIENTS OF UTILIZATION

PCC	.8			.7			.5			.3			.1			0		
PW	.7	.5	.3	.1	.7	.5	.3	.1	.5	.3	.1	.5	.3	.1	.5	.3	.1	0
RCR	0	61	61	61	60	60	60	60	57	57	57	55	55	55	52	52	52	51
1	58	57	56	54	57	56	55	53	54	53	52	52	51	50	49	49	49	48
2	55	53	51	49	54	52	50	48	50	49	47	49	47	46	45	45	45	44
3	52	49	46	44	51	48	46	44	47	45	43	46	44	43	41	41	41	41
4	50	46	43	40	49	45	42	40	44	42	40	43	41	39	38	38	38	38
5	47	43	39	37	46	42	39	37	41	39	37	40	38	36	35	35	35	35
6	44	40	37	34	44	39	36	34	39	36	34	38	35	34	33	33	33	33
7	42	37	34	32	41	37	34	32	36	33	31	36	33	31	30	30	30	30
8	40	35	32	29	39	35	32	29	34	31	29	33	31	29	28	28	28	28
9	38	33	30	27	37	32	29	27	32	29	27	32	29	27	26	26	26	26
10	36	31	28	26	35	31	28	26	30	27	26	30	27	26	25	25	25	25

PFC = 0.20

AVERAGE LUMINANCE

NARROW BEAM	
Angle	CD/FT ²
45°	288
55°	3
65°	0
75°	0
85°	0

WALL WASH

WALL WASH DATA CHART

Distance From Ceiling	4' O.C.; 3' Set Back		3' O.C.; 3' Set Back		2' O.C.; 2' Set Back	
	Below Fixtures	Between Fixtures	Below Fixtures	Between Fixtures	Below Fixtures	Between Fixtures
0.5'	3	3	5	5	11	10
1.5'	5	5	8	7	14	15
2.5'	5	5	8	7	14	14
3.5'	5	5	7	8	15	14
4.5'	5	6	8	9	14	13
5.5'	5	6	8	9	12	12
6.5'	5	6	8	8	9	9
7.5'	5	5	7	8	7	7
8.5'	4	4	6	7	6	6
9.5'	4	4	5	6	5	5

Initial Vertical Footcandles on Wall

Note: Data calculated using 18 Watt lamp and specular clear reflector. Results may vary due to lamp and ballast variations, as well as ambient temperature and electrical input variance. Data shown are initial footcandles without contribution from redirected light or other sources. Kicker reflector is provided clear, regardless of reflector finish, unless specified otherwise.

PHOTOMETRIC DATA, available on CD in IES format, please contact factory.