

APPLICATION

Light-Squares™ recessed downlights are ideal for low to medium height ceilings where a medium distribution and architecturally pleasing square aperture are desired. Wall wash reflector optics delivers uniform illumination to vertical surfaces.

PRODUCT DATA

REFLECTOR: The specular upper reflector and lower soft specular splay trim offer excellent efficiency and low brightness. A complete range of textures and finishes are available to complement any décor. Diagonal prismatic lens enhances distribution and visual comfort. A 9/16" overlap flange is standard and features a dieformed cover to eliminate appearance of mitered corners.

MECHANICAL: The housing is fabricated heavy gauge steel with galvanized finish and ventilated for heat dissipation. Integral universal vertical mounting brackets are provided to accept a variety of hanger bars. Standard aperture plaster flange allows for one-inch ceiling thickness. Ballast is accessible through aperture.

ELECTRICAL: 120 to 277 volt input 50 to 60 Hz high power factor electronic ballasts are instant start, under 10% THD. Consult Technical Section for additional ballast operating data. Ballast can be serviced from below the ceiling. Optional emergency ballast (-EM) operates one lamp for 90 minutes, remote faceplate with test switch and charger light. Integral push to test switch available (EMITS). Contact factory for more information.

JUNCTION BOX: Heavy gauge galvanized junction box pre-wired with grounding pigtail. Easy access covers. Multiple conduit knockouts listed for through branch circuit wiring.

SOCKET: Positive latch four pin thermoplastic. Twist lock lamp socket supplied standard for ease of relamping. Field adjustable socket position to accommodate all lamp types.

LAMP DATA:

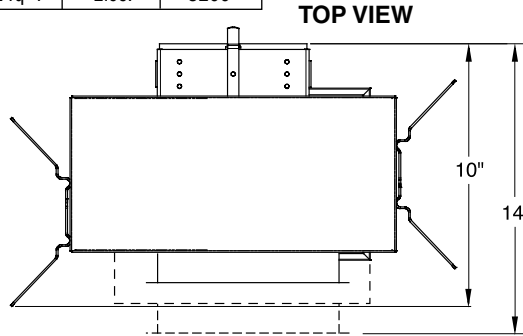
LAMP	WATTS	BASE	BALLAST	LUMENS
Quad Tube	26	GX24q-3	Elec.	1800
Triple Tube 4-Pin	32	GX24q-3	Elec.	2400
	42	GX24q-4	Elec.	3200

Initial lumens



FOR WET LOCATION
UNDER COVERED CEILING

Manufactured and tested to UL#1598 and CSA standards.
Fixtures are not designed for direct contact with insulation.

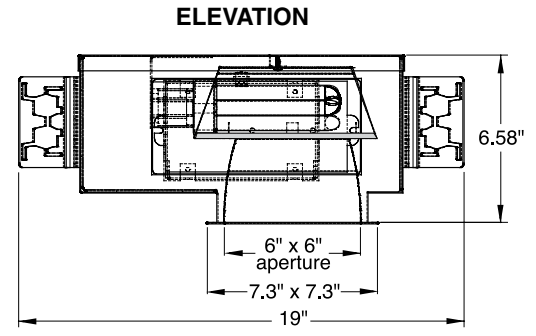


TOP VIEW



LIGHT-SQUARES™

SERIES 6SQHFWW 6 x 6 Square
Aperture Wall Wash Horizontal Fluorescent



Rough Opening 6.75" x 6.75"

Catalog Number – 6SQHF _____

Example: 6SQHF142TE4

Fixture Series	Lamp/Wattage	Ballast/Voltage	Options
6SQHF	QTY.	TYPE	E4 Electronic120/277 D1 120V Lutron Dimming* D2 277V Lutron Dimming* * Refer to separate page for dimming ballast specifications and availability of other styles.
	1 or 2	32T (Triple Tube)	
	1 or 2	42T (Quad Tube)	
	1 or 2	26Q	
			See Below

Optional Accessories

Hanger Bars (set of 2)

#101782 = #520 Caddy Bars	9152 = 52" C-Channel
#9127 = 27" C-Channel	27BH = 27" Solid Bar
#24CBH = 24" one-piece B-Line C-Channel hanger bar	

Fixture Type	Job Reference/Location
Lamp Type	Approval

/ 6SQHLWW _____

Example: 6SQHLWWSCLPF

Trim	Trim Finish w/polished flange
6SQHLWW	Lensed Wall Wash
	SCLPF – Soft Specular Clear Alzak
For white painted flange, drop "PF" from Catalog #. For other finishes, consult reflector section.	

Options

- * EM = Emergency Battery Pack w/remotely located Test Switch
- * EMITS = Emergency Battery Pack with Integral Test Switch installed in reflector
- F = Fused
- * Note increased dimensions.

All Pathway® products meet or exceed requirements as established by the National Electrical Code. Specifications subject to change without notice. Alzak® is a registered trademark of Alcoa.



Pathway Lighting Products, Inc., P.O. Box 591, Old Saybrook, CT 06475-0591
voice 800.342.0592 • fax 800.207.0090 • www.pathwaylighting.com • e-mail: sales@pathwaylighting.com

Series 6SQHFWW - 6 x 6 Square Aperture Wall Wash Horizontal Fluorescent

SQ21.0
UULCD