

APPLICATION

Light-Squares™ recessed downlights are ideal for low to medium height ceilings where a medium distribution and architecturally pleasing square aperture are desired. Two-piece reflector optics provide maximum efficiency. Diagonal prismatic lens further enhances distribution and visual comfort.

PRODUCT DATA

REFLECTOR: The specular upper reflector and lower specular splay trim offer excellent efficiency and low brightness. A complete range of textures and finishes are available to complement any décor. Standard with prismatic spread lens. A 9/16" overlap flange is standard and features a dieformed cover to eliminate appearance of mitered corners.

MECHANICAL: The housing is fabricated heavy gauge steel with galvanized finish and ventilated for heat dissipation. Integral universal vertical mounting brackets are provided to accept a variety of hanger bars. Standard aperture plaster flange allows for one-inch ceiling thickness. Ballast is accessible through aperture.

ELECTRICAL: 120 to 277 volt input 50 to 60 Hz high power factor electronic ballasts are programmed start, under 10% THD. Consult Technical Section for additional ballast operating data. Ballast can be serviced from below the ceiling. Optional emergency ballast (-EM) operates one lamp for 90 minutes, remote faceplate with test switch and charger light. Integral push to test switch available (EMITS). Contact factory for more information.

JUNCTION BOX: Heavy gauge galvanized junction box pre-wired with grounding pig-tail. Easy access covers. Multiple conduit knockouts listed for through branch circuit wiring.

SOCKET: Positive latch four pin thermoplastic. Twist lock lamp socket supplied standard for ease of relamping. Field adjustable socket position to accommodate all lamp types.

LAMP DATA:

LAMP	WATTS	BASE	BALLAST	LUMENS
Quad Tube	26	G24q-3	Elec.	1800
Triple Tube 4-Pin	32	GX24q-3	Elec.	2400
	42	GX24q-4	Elec.	3200

Initial lumens



Intertek
For Wet Location
Under Covered Ceiling

Manufactured and tested to UL#1598 and CSA standards.
Note: Fixtures are not designed for direct contact with insulation.

Catalog #:

6SQHF

Example: 6SQHF142TE4

Fixture Series	Lamp/Wattage	Ballast/Voltage	Options
6SQHF	QTY. TYPE (Triple Tube) 1 or 2 32T 1 or 2 42T	E4 Electronic 120/277 D1 120V Lutron Dimming* D2 277V Lutron Dimming* * Refer to separate page for dimming ballast specifications and availability of other styles.	See Below
	(Quad Tube) 1 or 2 26Q		

Optional Accessories

Hanger Bars (set of 2)

- 101782 = #520 Caddy Bars
- 9152 = 52" C-Channel
- 9127 = 27" C-Channel
- 27BH = 27" Solid Bar
- 24CBH = 24" one-piece B-Line C-Channel hanger bar
- 26UBH = interlocking hanger bars expand to 26"

Fixture:	Type:
Project:	

Coventry
Architectural Series

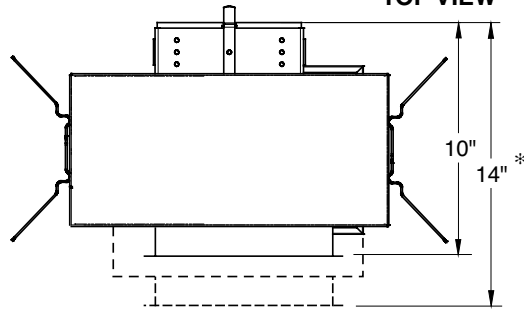
SERIES 6SQHF Triple Tube 6" x 6" Square Aperture Downlight Horizontal Fluorescent

LIGHT-SQUARES™

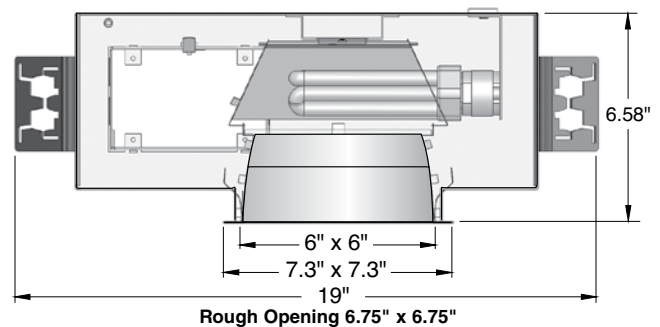


Optional suspended decorative lens (IC6)

TOP VIEW



ELEVATION



Catalog #: 6SQHF / 6SQH

Example: 6SQHL3SCLPF

Trim	Trim Finish w/polished flange
6SQHL3	- Diagonal Prismatic Lens
6SQHL5	- Frosted Len
	SCLPF - Soft Specular Clear Alzak
	IC6 - Suspended Decorative Glass Lens

For white painted flange, drop "PF" from Catalog #.
For other finishes, consult reflector section.

Options

- * EM = Emergency Battery Pack w/remotely located Test Switch
 - * EMITS = Emergency Battery Pack with Integral Test Switch installed in reflector
 - F = Fused
- * Note increased dimensions.

All Pathway® products meet or exceed requirements as established by the National Electrical Code. Specifications subject to change without notice. Alzak® is a registered trademark of Alcoa.

PATHWAY®
the Lighting Source

Pathway Lighting Products, Inc., P.O. Box 591, Old Saybrook, CT 06475-0591
voice 800.342.0592 • fax 800.207.0090 • www.pathwaylighting.com • e-mail: sales@pathwaylighting.com

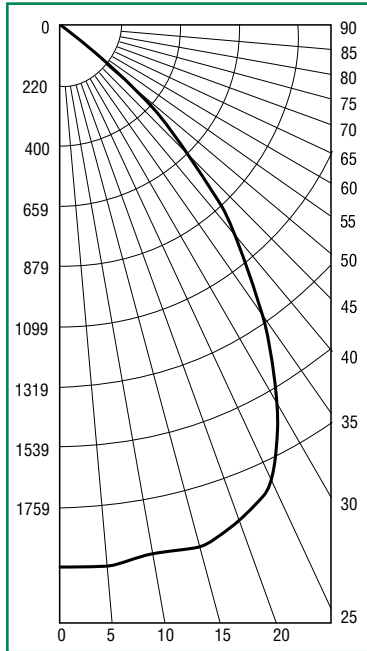
Series 6SQHF - Triple Tube 6" x 6" Square Aperture Downlight Horizontal Fluorescent

SQ20.0
UCCEUM

PHOTOMETRIC DOWNLIGHT DISTRIBUTION

Catalog No. - 6SQHF242TE4 / 6SQHL3SCLPF
Lamp(s) - (2) 42W PLT
Lumens - 3200 per Lamp
Spacing Criteria - 1.18
Efficiency - 48%

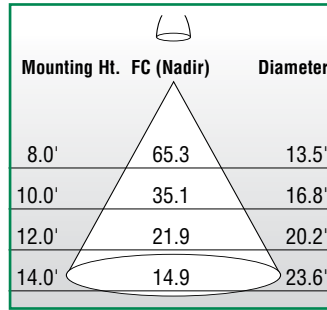
CANDELA DISTRIBUTION



CANDELA

VERTICAL ANGLE	0
0.00	1975
5.00	1978
10.00	1960
15.00	1964
20.00	1923
25.00	1832
30.00	1600
35.00	1306
40.00	997
45.00	687
50.00	374
55.00	157
60.00	45.4
65.00	4.47
70.00	0.020
75.00	0.000
80.00	0.000
85.00	0.000
90.00	0.000

CONE OF LIGHT



Initial Footcandles at a 30° Work Plane
 Beam diameter calculated at 50% of maximum fc at nadir.

ZONAL LUMENS SUMMARY

ZONE	LUMENS	% LAMP	% LUMINAIRE
0- 30	1567	24.5	51.0
0- 40	2377	37.1	77.3
0- 60	3061	47.8	99.6
0- 90	3074	48.0	100.0
90-120	0	0.0	0.0
90-130	0	0.0	0.0
90-150	0	0.0	0.0
90-180	0	0.0	0.0
0-180	3074	48.0	100.0

COEFFICIENTS OF UTILIZATION

PCC	.8				.7				.5				.3				.1				0
PW	.7	.5	.3	.1	.7	.5	.3	.1	.5	.3	.1	.5	.3	.1	.5	.3	.1	.5	.3	.1	0
RCR																					
0	57	57	57	57	56	56	56	56	53	53	53	51	51	51	49	49	49	48	48	48	
1	54	52	51	50	53	51	50	49	49	48	48	48	47	46	46	45	45	44	44	44	
2	51	48	46	44	50	47	45	43	46	44	42	46	43	42	43	42	41	40	40	40	
3	48	44	41	39	47	43	41	39	42	40	38	41	39	37	37	36	36	36	36	36	
4	45	40	37	35	44	40	37	35	39	36	34	38	36	34	37	35	33	33	33	33	
5	42	37	34	31	41	37	34	31	36	33	31	35	33	31	34	32	30	30	30	30	
6	39	34	31	28	38	34	31	28	33	30	28	32	30	28	32	29	28	27	27	27	
7	37	32	28	26	36	31	28	26	31	28	26	30	27	26	29	27	25	25	25	25	
8	35	29	26	24	34	29	26	24	28	26	23	28	25	23	27	25	23	23	23	23	
9	33	27	24	22	32	27	24	22	26	24	22	26	23	21	26	23	21	21	21	21	
10	31	25	22	20	30	25	22	20	25	22	20	24	22	20	24	21	20	19	19	19	

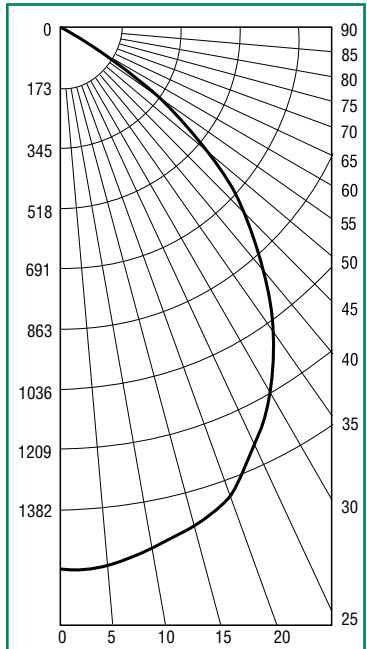
PFC = 0.20

AVERAGE LUMINANCE

Angle	CD/M ²
45°	41821
55°	11750
65°	455
75°	0
85°	0

Catalog No. - 6SQHF242TE4 / 6SQHL5SCLPF
Lamp(s) - (2) 42W PLT
Lumens - 3200 per Lamp
Spacing Criteria - 1.16
Efficiency - 43.1%

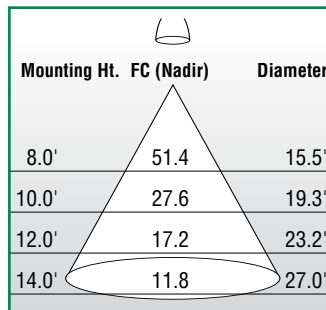
CANDELA DISTRIBUTION



CANDELA

VERTICAL ANGLE	0
0.00	1554
5.00	1550
10.00	1516
15.00	1478
20.00	1426
25.00	1324
30.00	1211
35.00	1069
40.00	919
45.00	742
50.00	548
55.00	351
60.00	145
65.00	18.5
70.00	0.200
75.00	0.000
80.00	0.000
85.00	0.000
90.00	0.000

CONE OF LIGHT



Initial Footcandles at a 30° Work Plane
 Beam diameter calculated at 50% of maximum fc at nadir.

ZONAL LUMENS SUMMARY

ZONE	LUMENS	% LAMP	% LUMINAIRE
0- 30	1171	18.3	42.5
0- 40	1837	28.7	66.6
0- 60	2712	42.4	98.4
0- 90	2756	43.1	100.0
90-120	0	0.0	0.0
90-130	0	0.0	0.0
90-150	0	0.0	0.0
90-180	0	0.0	0.0
0-180	2756	43.1	100.0

COEFFICIENTS OF UTILIZATION

PCC	.8				.7				.5				.3				.1				0
PW	.7	.5	.3	.1	.7	.5	.3	.1	.5	.3	.1	.5	.3	.1	.5	.3	.1	.5	.3	.1	0
RCR																					
0	51	51	51	51	50	50	50	50	47	47	47	45	45	45	43	43	43	43	43	43	
1	48	46	45	44	47	45	44	43	44	43	42	42	41	41	41	40	39	39	39	39	
2	45	42	40	38	44	41	39	38	40	38	37	39	37	36	37	36	35	34	34	34	
3	42	38	35	33	41	38	35	33	36	34	32	35	33	32	34	33	31	31	31	31	
4	39	35	32	29	38	34	31	29	33	31	29	32	30	28	31	30	28	27	27	27	
5	36	32	28	26	35	31	28	26	30	28	26	29	27	25	29	27	25	24	24	24	
6	34	29	26	23	33	28	25	23	28	25	23	27	25	23	26	24	23	22	22	22	
7	31	26	23	21	31	26	23	21	25	23	21	25	22	21	24	22	20	20	20	20	
8	29	24	21	19	29	24	21	19	23	21	19	23	20	19	22	20	19	18	18	18	
9	27	22	19	17	27	22	19	17	22	19	17	21	19	17	21	19	17	16	16	16	
10	26	21	18	16	25	21	18	16	20	17	16	20	17	16	19	17	16	15	15	15	

PFC = 0.20

AVERAGE LUMINANCE

Angle	CD/M ²
45°	45185
55°	26361
65°	1880
75°	0
85°	0