

Fixture Type	Lamp Type
Job Ref. / Location	

APPROVAL

LEGENDS

Commercial Lighting

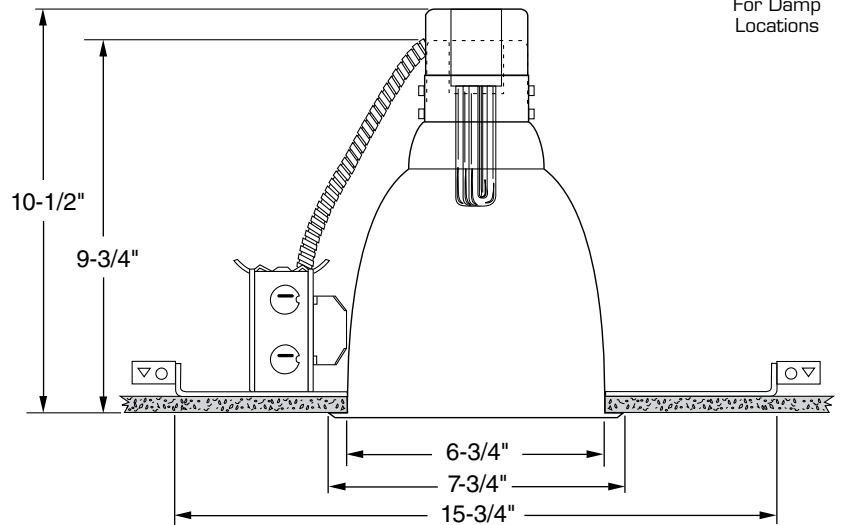
SERIES FS7142T

(1) 42 Watt Triple Tube Compact Fluorescent Lamp 7" Aperture Recessed Downlight

PRODUCT DATA

- **FRAME IN MODULE** – Rugged 20 gauge die formed steel with corrosion resistant (galvanel) finish. Overall size 7.25" x 12" (w/o bar hangers).
 - **REMODEL INSTALLATION** – Optional provision is available for remodel style frame-in. Specify RM or see options section.
 - **BAR HANGERS** – Expandable from 14" to 27", vertically mounted for strength with locking tabs for off-center mounting. (Optional 27" Solid Bar Hanger).
 - **JUNCTION BOX** – with easy access covers, prewired with grounding pigtail, listed for through branch circuit wiring, 4 in/4 out, pryout KO's (2) 1/2", (2) 3/4".
 - **ELECTRONIC BALLASTS** – are supplied standard in a universal voltage input and will operate within a range of 120 volt to 277 volt. This universal voltage is designated as suffix – **4E**. These ballasts are high power factor, instant start and operate under 10% THD (Total Harmonic Distortion) within a frequency range of 50 to 60 Hz (Hertz). All electronic ballasts require the use of 4 pin compact fluorescent lamps.
 - **DIMMING BALLASTS** – require the use of 4 pin compact fluorescent lamps. ADVANCE or LUTRON may be specified. Consult the Options section for specific availability & ordering information.
- Ballast technical information and operating characteristics may be found by consulting the Technical Section of our catalog.*
- **SOCKET HOUSING** – Two position socket cup for 42 Watt lamp attaches to trim, complete with one positive latch four pin thermoplastic socket, socket style #G24q-4, for vertically mounted lamp.
 - **EMERGENCY BATTERY PACK (FPLT)** – Operates (1) lamp for 90 minutes @ 650 lumens, nickel cadmium battery.




Also Available as
Remodel Style



8-5/8" Width • Rough Opening 6-7/8"

TRIMS

Specification grade, Alzak® one piece, "Hydro-Spun" aluminum reflectors with 5/8" self flanging trim ring – painted buff white. Overall depth – 10-5/8". Standard with low-iridescent reflector finish to eliminate "rainbow effect" of compact fluorescent lamps. Available with optional polished flange. To order see Options on reverse.

<p>Specular Alzak® Medium Reflector 10.5" height</p>  <p>☐ */CF7200IR (clear) ☐ */BCF7200IR (black)</p>	<p>Black Baffle with Reflector 10.5" height</p>  <p>☐ */BCF7150 (clear Alzak) ☐ */BSF7150 (satin)</p>	<p>White Baffle with Reflector 10.5" height</p>  <p>☐ */BWCF7150 (clear Alzak) ☐ */BWSF7150 (satin)</p>
---	---	---

* Insert fixture type then options (refer to "How to Order" on the reverse side).

All products are manufactured in accordance with U.L. standards #1598. Suitable for use in damp locations. All Pathway® products meet or exceed requirements as established by the National Electrical Code. Specifications subject to change without notice. Alzak® is a registered trademark of Alcoa.

**SERIES FS71UT COMPACT FLUORESCENT
RECESSED DOWNLIGHT**

OPTIONS (add suffix)

SUFFIX #

- Romex Clamp..... # - RX
- Non-Iridescent Finish # - IR
- Polished, Self Flanging Trim Ring # - PF
- Emergency Battery Pack (illuminates
(1) lamp for 90 minutes @ 650 lumens)..... # - FPLT
- Thick ceiling ring (for ceilings up to 2" thick) ... # - TCR7
- 27" Solid hanger bars (2/set) # - 27BH
- 120 V Lutron Hi-Lume Dimming Ballast # - 1DML
- 277 V Lutron Hi-Lume Dimming Ballast # - 2DML
- 120V Advance Dimming Ballast # - 1DMA
- 277V Advance Dimming Ballast # - 2DMA
- Slopped Ceiling Adapter # - SCA7*
- Remodel Style Frame-In, specify Prefix RM - #

* See separate sheet for selection of degree.

LAMP DATA

42 WATT LAMPS

COLOR	PHILIPS	OSRAM
2,700	n/a	CF42DT/E/827
3,000K	PLT42W/30/4P	CF42DT/E/830
3,500K	PLT42W/35/4P	CF42DT/E/835
4,100K	PLT42W/41/4P	CF42DT/E/841

HOW TO ORDER

